

General Information

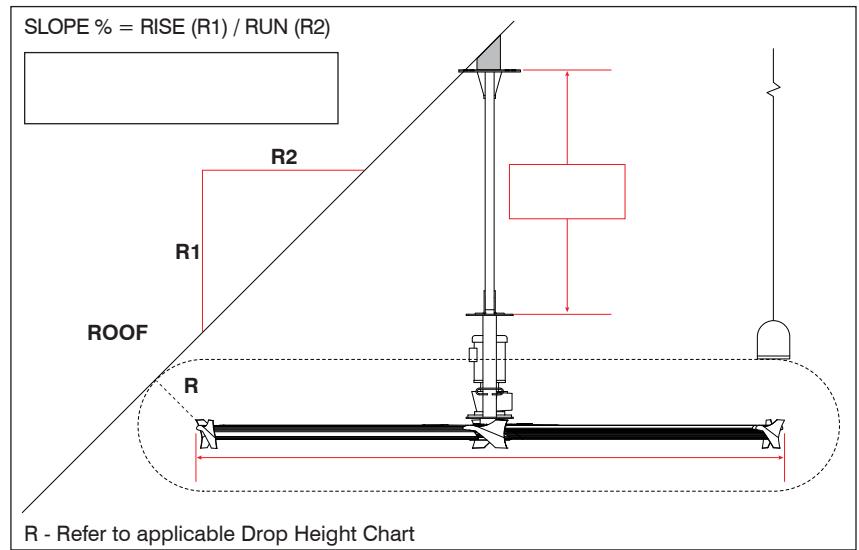
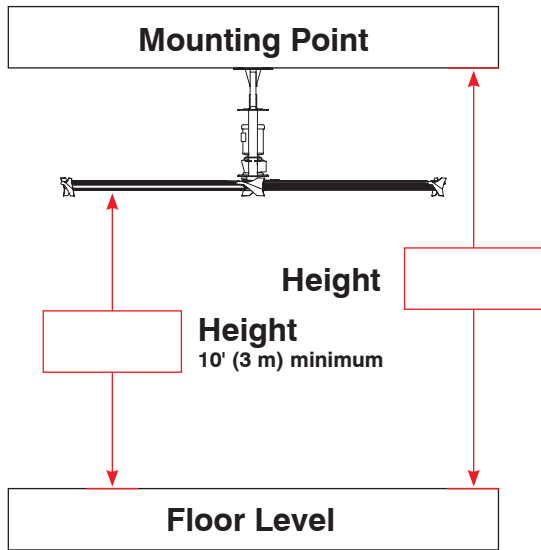
CURRENT FAN CONFIGURATION

NUMBER OF FANS / BLADES PER	HORSEPOWER	MANUFACTURER / MODEL	ANNUAL ENERGY COSTS
-----------------------------	------------	----------------------	---------------------

PURPOSE OF FANS

- COOLING (IDEAL SOLUTION FOR HUMIDITY ISSUES)
 WARMING (IDEAL SOLUTION FOR ENERGY SAVINGS)

Mounting Information



AREA MEASUREMENTS (ATTACH SITE LAYOUT)

LENGTH:	WIDTH:	HEIGHT:
---------	--------	---------

New Fan Specifications

NUMBER OF BLADES

Gearbox

Direct Drive

NUMBER OF BLADES

3 5 (Gearbox Only)

6 8 (Direct Drive to 14' Dia Only)

Control Configuration

CONTROLS

SINGLE (1:1)

DIGITAL (1:1)

MULTIPLE

MULTIPLE

DIAMETER (Cooling Covers 5x Diameter; Destratificaion Covers 10x Diameter)

- 6' (1.8 m)
 8' (2.4 m)
 10' (3.0 m)
 12' (3.6 m)
 14' (4.3 m)
 16' (4.9 m)
 18' (5.5 m)
 20' (6.1 m)
 24' (7.3 m)

VOLTAGE

- 115V (99 - 126 VAC) / 1 PHASE / 48 - 62Hz
 240V (198 - 264 VAC) / 1 PHASE / 48 - 62Hz
 240V (198 - 264 VAC) / 3 PHASE / 48 - 62Hz
 480V (342 - 528 VAC) / 3 PHASE / 48 - 62Hz
 575V (450 - 660 VAC) / 3 PHASE / 48 - 62Hz