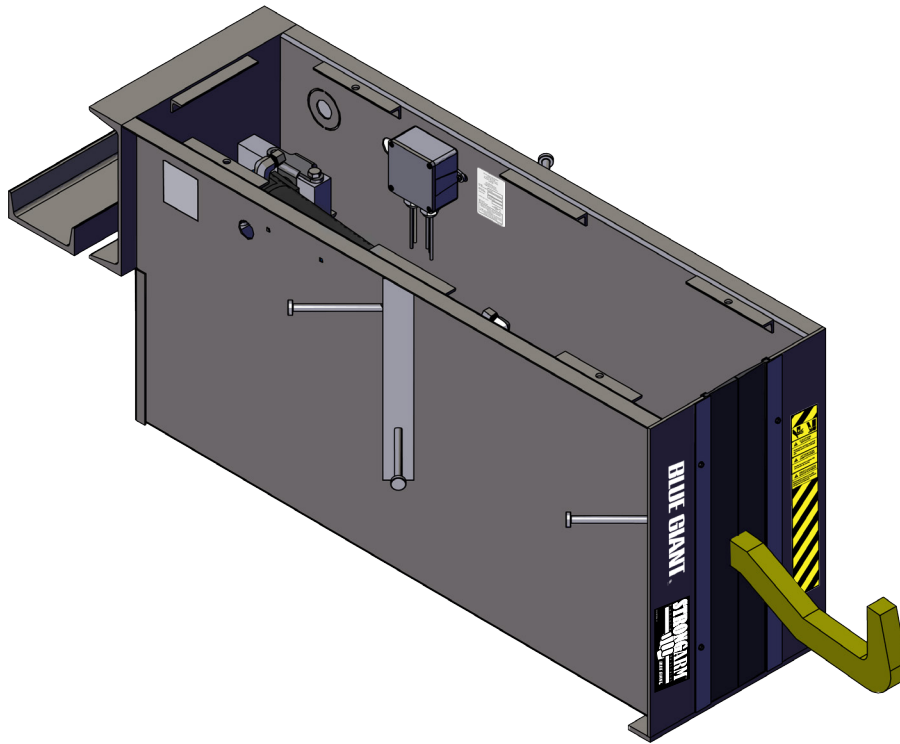


PARTS LIST

STRONGARM™ RVR303 VEHICLE RESTRAINT



ACTUAL PRODUCT MAY NOT APPEAR EXACTLY AS SHOWN

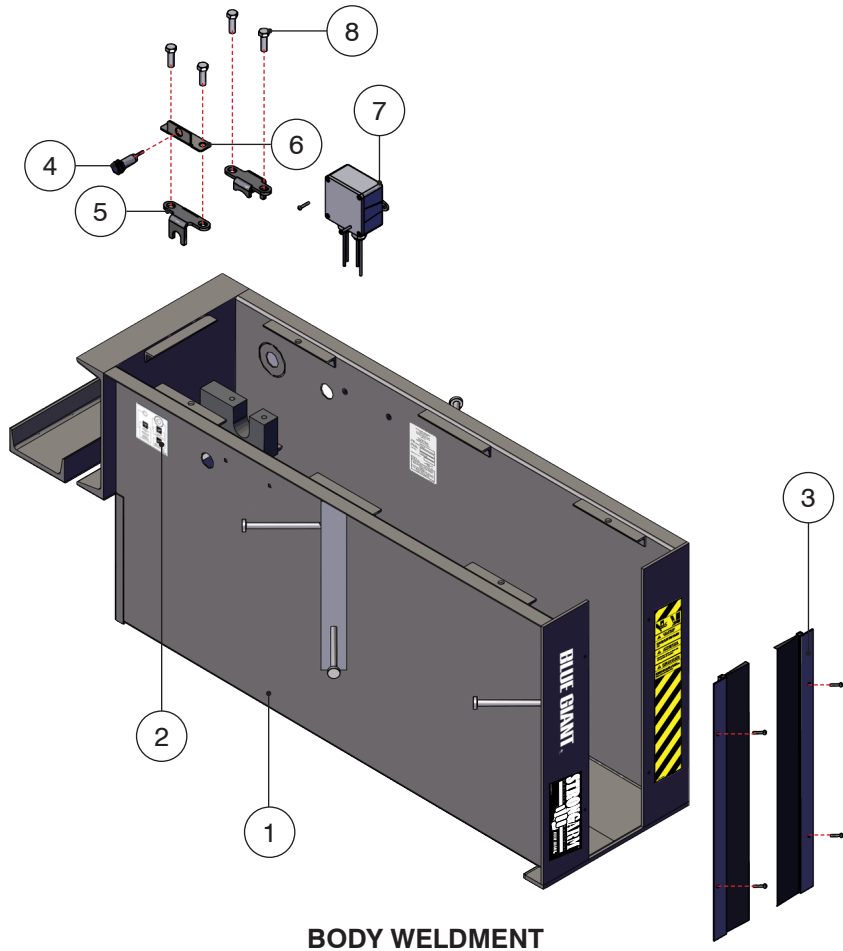
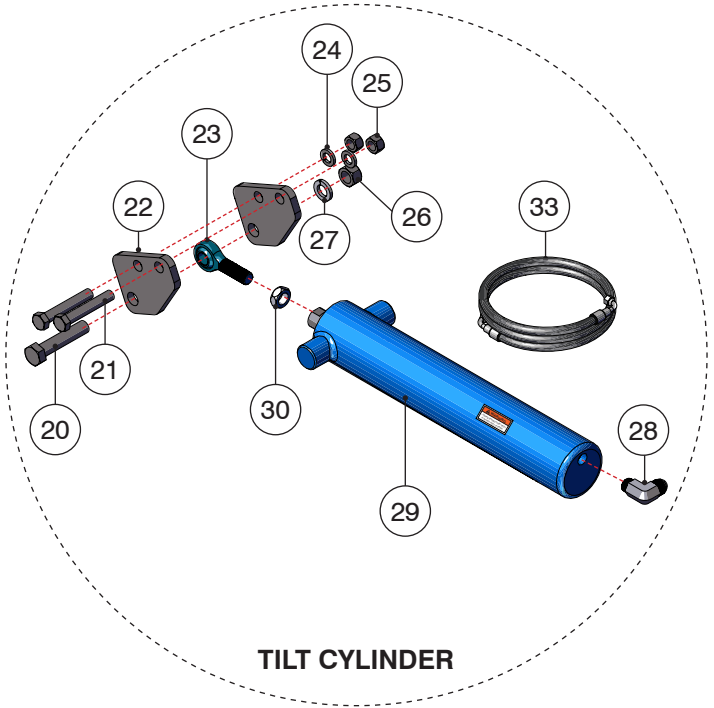
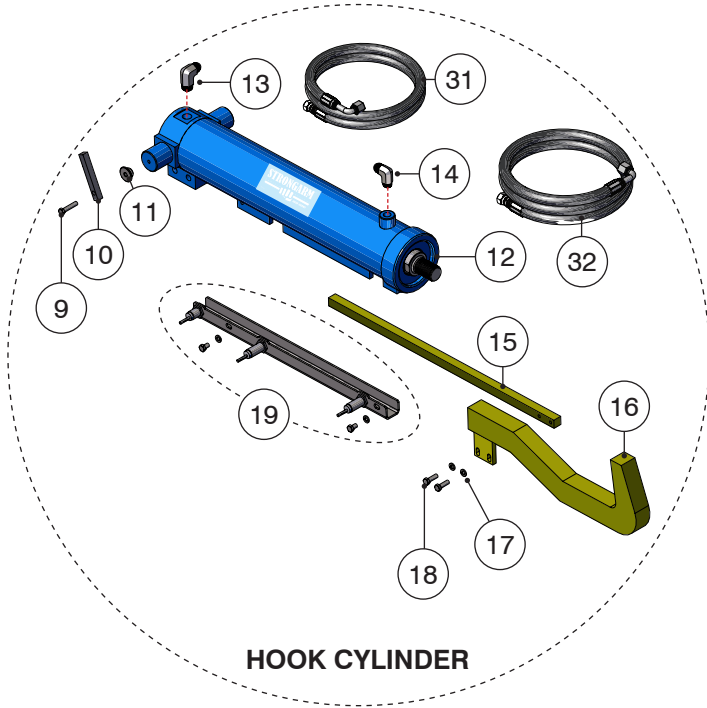


WARNING

Do not operate or service this product unless you have read and fully understand the entire contents of this manual. Failure to do so may result in property damage, bodily injury or death.

BLUE GIANT®

MECHANICAL ASSEMBLY - 1000475



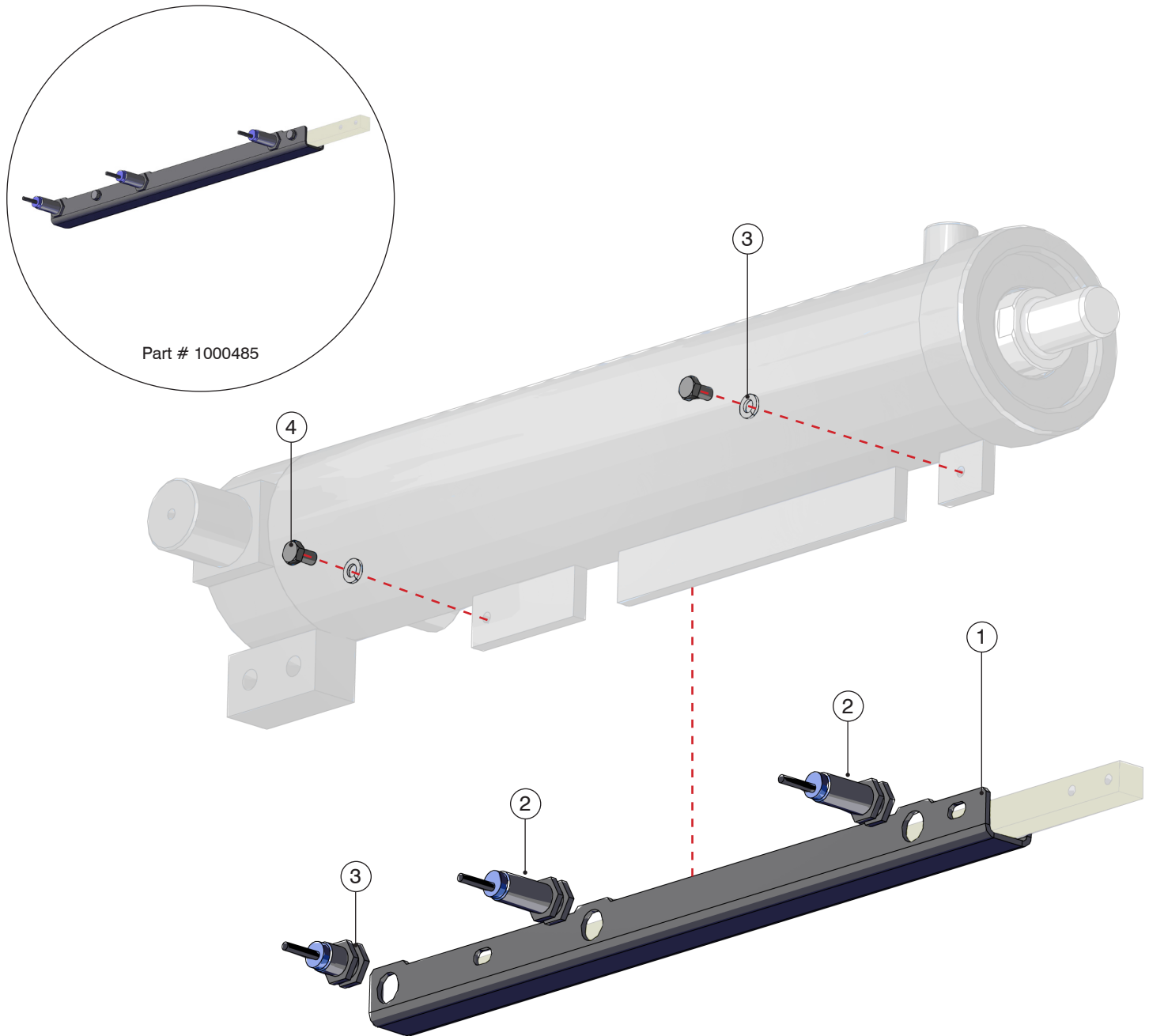
MECHANICAL ASSEMBLY - 1000475 CONT'D.

ITEM	QTY	PART NO.	DESCRIPTION
1	1	1000470	RVR303 Body Weldment
2	2	038-894EFS	Decal, Conduit Details
3	2	1001730	Retainer Assembly
4	1	028-200	Proximity Sensor 10-30V
5	2	1000484	Cylinder Holding Plate
6	1	1000487	Tilt Sensor Bracket
7	1	025-G020-2	Junction Box
8	4	010-048	Cap Screw 1/2-13 UNC 1-1/2
9	1	010-007	Cap Screw 5/16-18 x 1 HH GR. 5 ZC
10	1	1000456	Tilt Antenna
11	1	1000454	Antenna Spacer
12	1	1000450	Hook Cylinder
13	1	034-541	Elbow SAE# 8 x 1/2 NPT Male
14	1	034-500	Elbow SAE# 8 x 3/8 NPT Male
15	1	1000457	Guidance Bar

ITEM	QTY	PART NO.	DESCRIPTION
16	1	1000459	Hook, Recessed Restraint
17	2	012-200	Spring Washer 5/16
18	2	010-006	Cap Screw 5/16-18 x 1 HH GR. 5 ZC
19	1	1000485	Guidance Channel Assembly - See pg. 4
20	1	010-101	5/8"-11 UNC x 3" HH Bolt GR. 5 Plated
21	2	010-028	Cap Screw 1/2"-13 UNC x 3
22	2	1000453	Tilt Bracket
23	1	018-606	Ball Joint Rod End 5/8"-18 UNF - 5/88 Ball ID
24	2	012-220	Lock Washer 0.5
25	2	011-508	Hex Nut 1/2-13
26	1	011-509	Hex Nut 5/8-11
27	1	012-221	Washer 5/8
28	1	034-540	SAE# 6 x 3/8 NPT Male
29	1	1000501	Tilt Cylinder
30	1	011-521	Hex Jam Nut 5/8"-18 UNF

ITEM	HOSE ASSY. - #8 HIGH PRESSURE		RUN TO PIT - 5' (1.5m)		RUN TO POST - 9' (2.7m)		RUN TO WALL - 17' (5.2m)	
	DESCRIPTION		PART NO.	ACTUAL SIZE	PART NO.	ACTUAL SIZE	PART NO.	ACTUAL SIZE
31	Hook	Extend	300-5007-1	6' (1.8m)	300-5007-7	14" (4.3m)	300-5007-9	22' (6.7m)
32		Retract	300-5007-3	8' (2.4m)	300-5007-8	16" (4.9m)	300-5007-10	24' (7.3m)
HOSE ASSY. - #6 HIGH PRESSURE								
33	Tilt	Raise	100-5018-3	8' (2.4m)	100-5018-4	16" (4.9m)	100-5018-5	24' (7.3m)

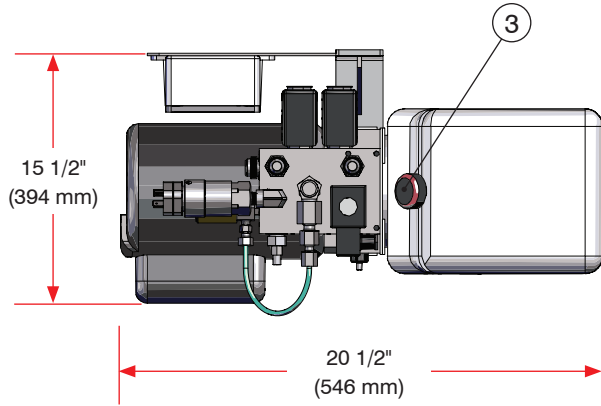
GUIDANCE CHANNEL ASSEMBLY



RVR303 GUIDANCE CHANNEL ASSEMBLY # 1000485			
ITEM	QTY	PART NO.	DESCRIPTION
1	1	1000483	Guidance Channel
2	2	028-200	Proximity Sensor
3	1	028-200-1	Proximity Sensor, Short Body
4	2	012-200	Spring Lock Washer 5/16
5	2	010-036	Cap Screw 5/16-18 x 1/2

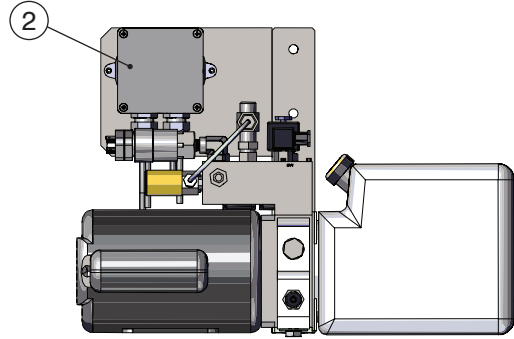
POWERPACK PART IDENTIFICATION

1 Powerpack, Pump, Motor, Tank

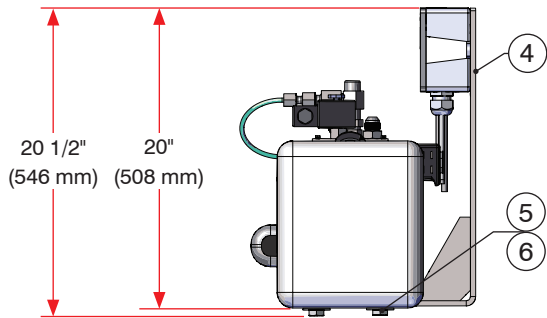


Top View – Wall Mount

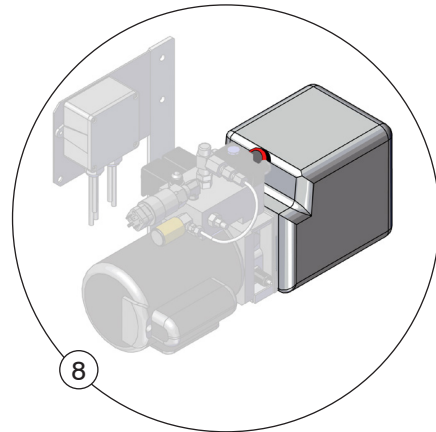
Inside terminal box



Front View – Wall Mount



Side View (Tank End) – Wall Mount

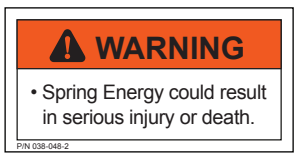
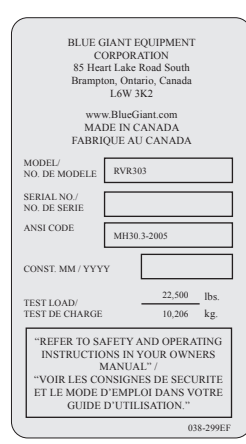
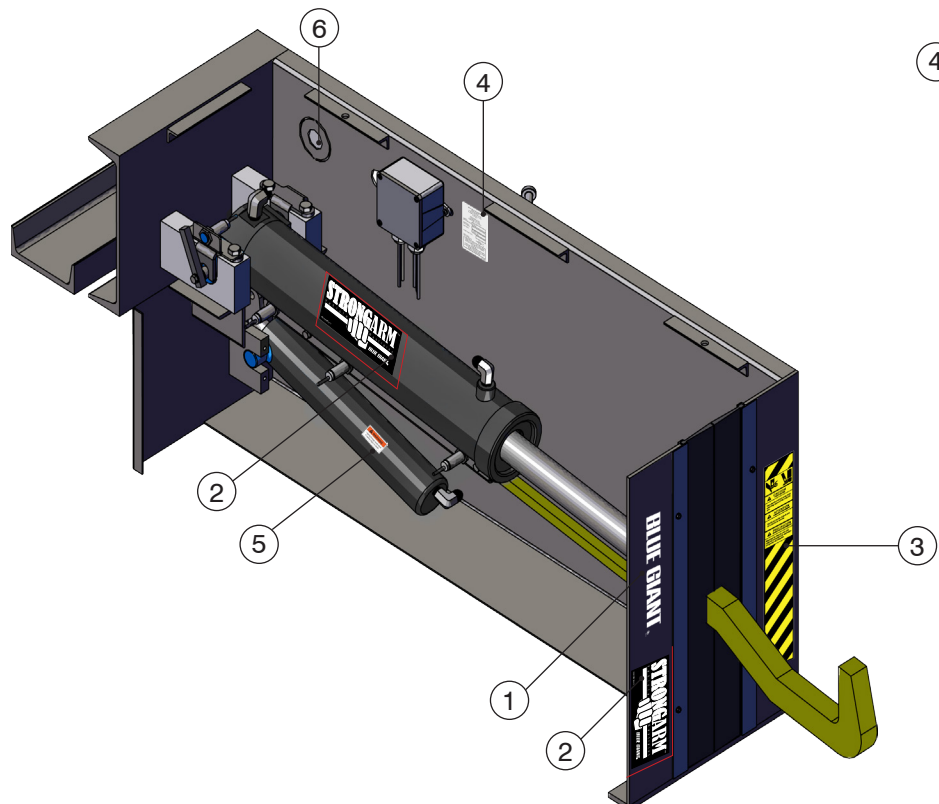


Powerpack Tank Kit

RVR303 POWERPACK ASSEMBLY # 1002880				
ITEM	QTY	PART NO.	DESCRIPTION	ITEM#1
1	1	1002880	RVR303 PP 1PH-115/230V-60HZ	033-464
		1002880-1	RVR303 PP 3PH-230/460V-60HZ	033-465
		1002880-2	RVR303 PP 3PH-575V-60HZ	033-466
2	1	026-H34	RVR303 Remote I/O Harness (See pg. 11)	

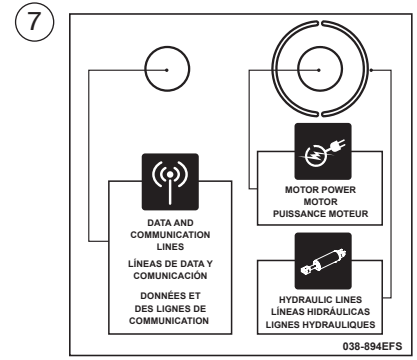
RVR303 POWERPACK ASSEMBLY # 1002880				
ITEM	QTY	PART NO.	DESCRIPTION	ITEM#1
3	1	080-538	RVR303 Powerpack Tank Breather Cap	
4	1	23-014590	Wall Bracket	
5	2	010-170	Hex Head Cap Screws M10x20	
6	2	012-263	Flat Washers (U.S.) 7/16"	
7	1	—	Hydraulic Oil	
8	1	080-K007	Tank (Reservoir Oil) Kit	

DECAL IDENTIFICATION AND LOCATION



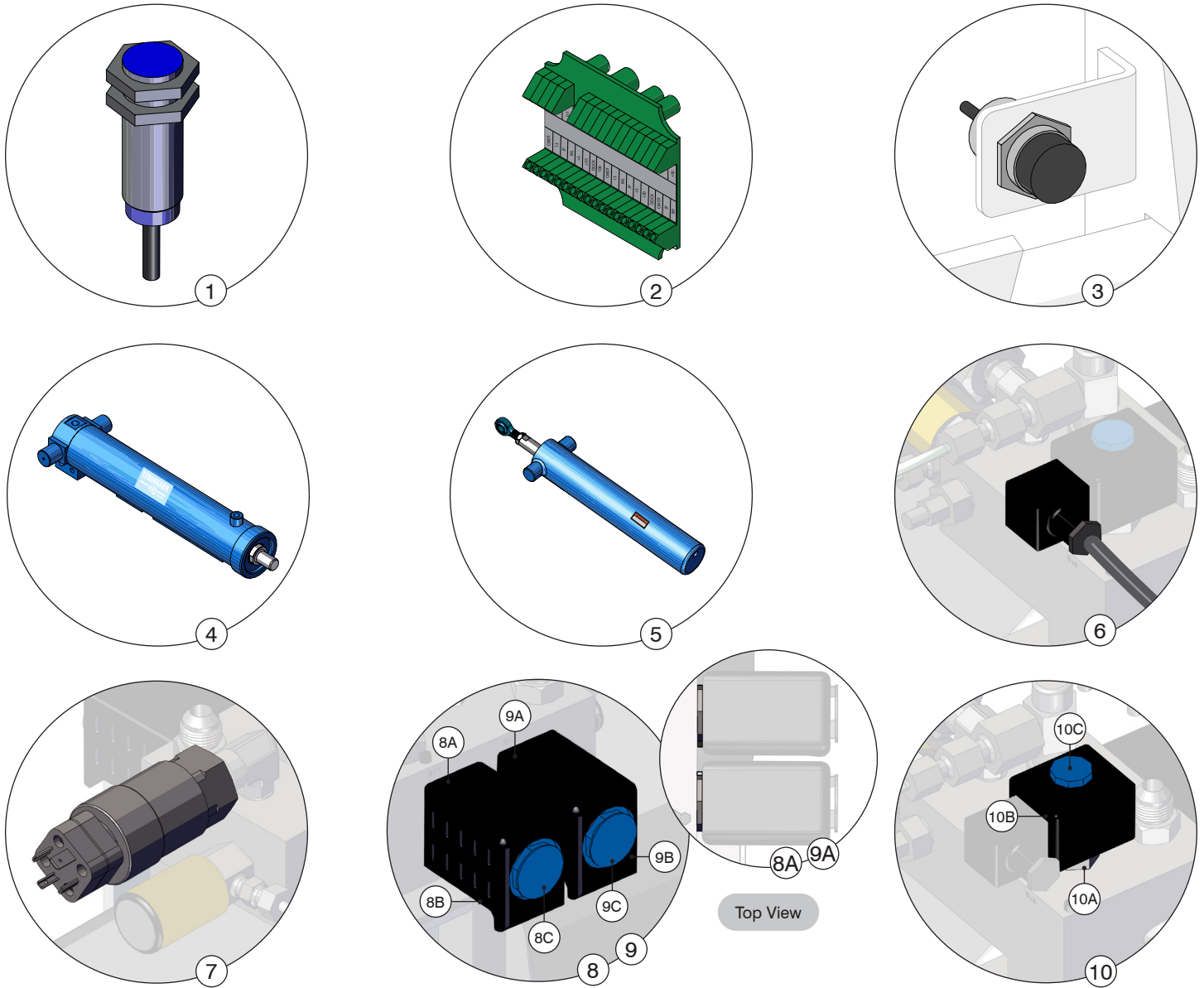
Body Side Plate hidden for clarity

ITEM	QTY	PART NO.	DESCRIPTION
1	1	038-219	Decal - Blue Giant
2	1	038-1187E	Decal - StrongArm™ RVR303
3	1	038-956E	Decal - Crush Hazard RVR303*
4	1	038-299EF	Decal - Serial Plate*
5	1	038-048-2	Decal - Warning Spring Energy*
6	2	038-894EFS	Decal - Conduit Installation



* See Section 2.4 "Owner's Responsibility" regarding decal updates.

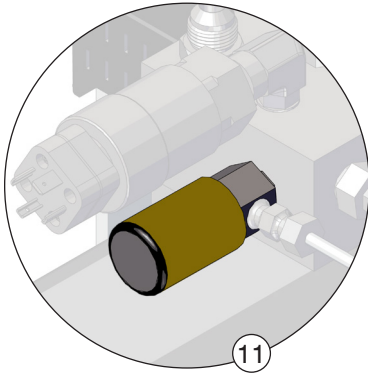
RECOMMENDED SPARE PARTS - STANDARD OPERATIONAL COMPONENTS



RSP FOR RVR303 – STD OPERATIONAL COMPONENTS			
ITEM	PART NO.	DESCRIPTION	QTY.
1	028-200	Proximity Sensor (18mm Shielded) 10-30V	1
2	026-G025	Remote I/O Board	1
3	026-G019	Proximity Sensor(30mm Unshield): Home/Lip Sensor	1
	026-M12-F5	5 Meter Cable for Proximity Sensor	1
	026-M12-F2	2 Meter Cable for Proximity Sensor	1
	21-002154	Bracket for Proximity Sensor	1
4	1000450-KIT	Hook Cylinder Kit	1
5	1000474-KIT	Tilt Cylinder Kit	1
6	026-G074	Cap and Cable	1
7	080-535	Pressure Switch	1

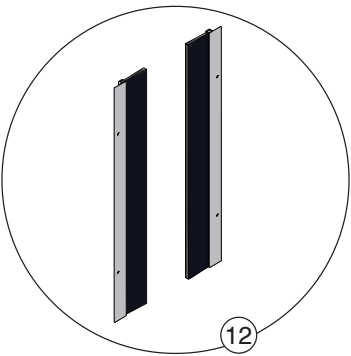
RSP FOR RVR303 – STD OPERATIONAL COMPONENTS				
ITEM	PART NO.	DESCRIPTION		QTY. REQ'D
8	080-K004	SV1 Kit	8A: 080-528 - Dir. Valve	1
			8B: 080-531 - 24VDC Coil	
			8C: 033-508-1N Nut	
9	080-K005	SV2 Kit	9A: 080-529 - Dir. Valve	1
			9B: 080-531 - 24VDC Coil	
			9C: 033-508-1N Nut	
10	080-K006	SV3 Kit	10A: 080-530 - Valve	1
			10B: 080-532 - 24VDC Coil	
			10C: 033-508-1N Nut	

RECOMMENDED SPARE PARTS - STANDARD OPERATIONAL COMPONENTS CONT'D.



RSP FOR RVR303 – STD OPERATIONAL COMPONENTS			
ITEM	PART NO.	DESCRIPTION	QTY. REQ'D
11	080-533	Regen Valve	1

RECOMMENDED SPARE PARTS - COMPONENT SHIELDS

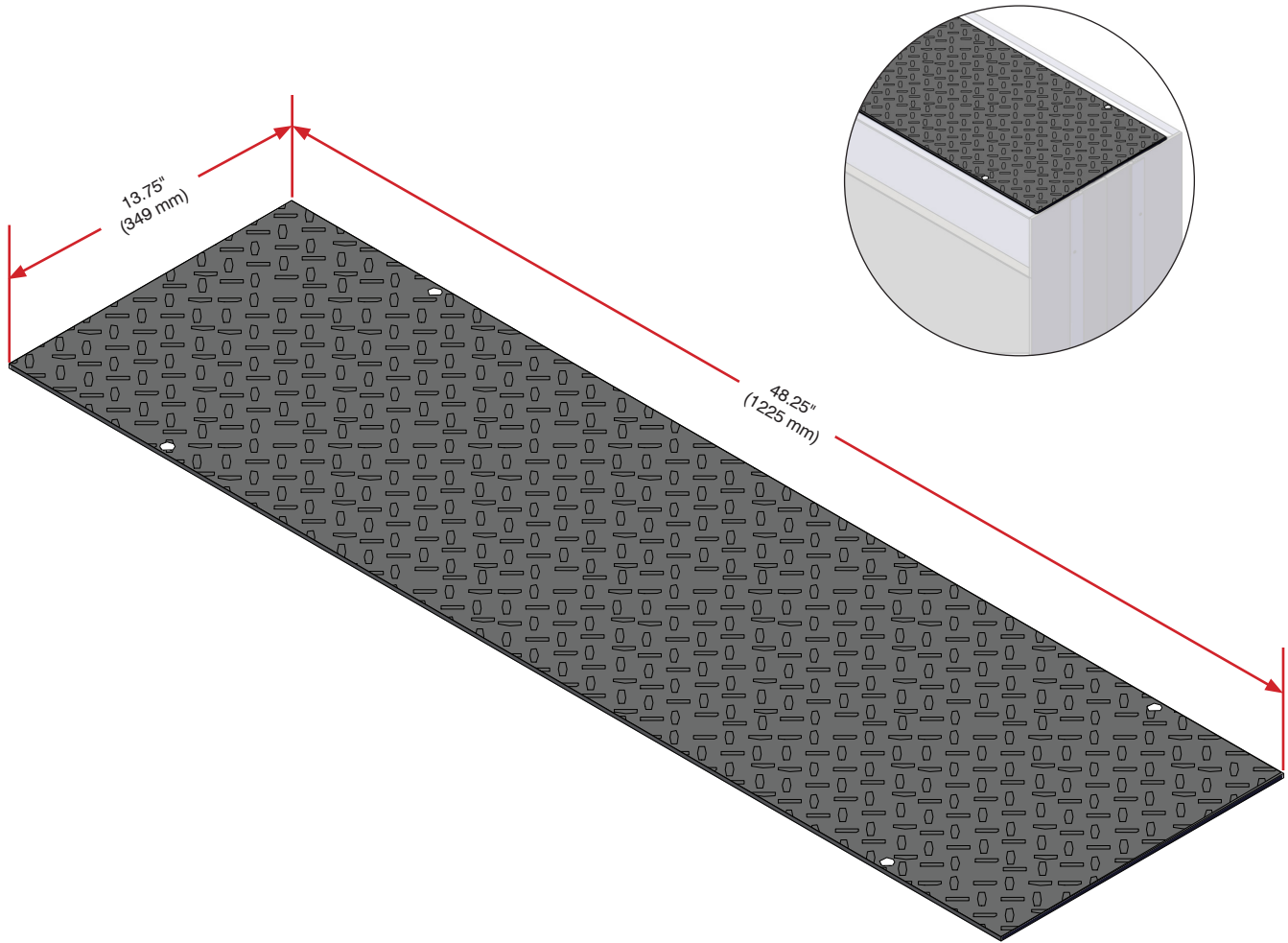


RSP FOR RVR303 – COMPONENT SHIELDS			
ITEM	PART NO.	DESCRIPTION	QTY. REQ'D
12	1001730	Retainer Assembly	2

OPTIONAL COVER PLATE

The RVR303 cover plate prevents debris from entering the body of the unit, greatly reducing maintenance.

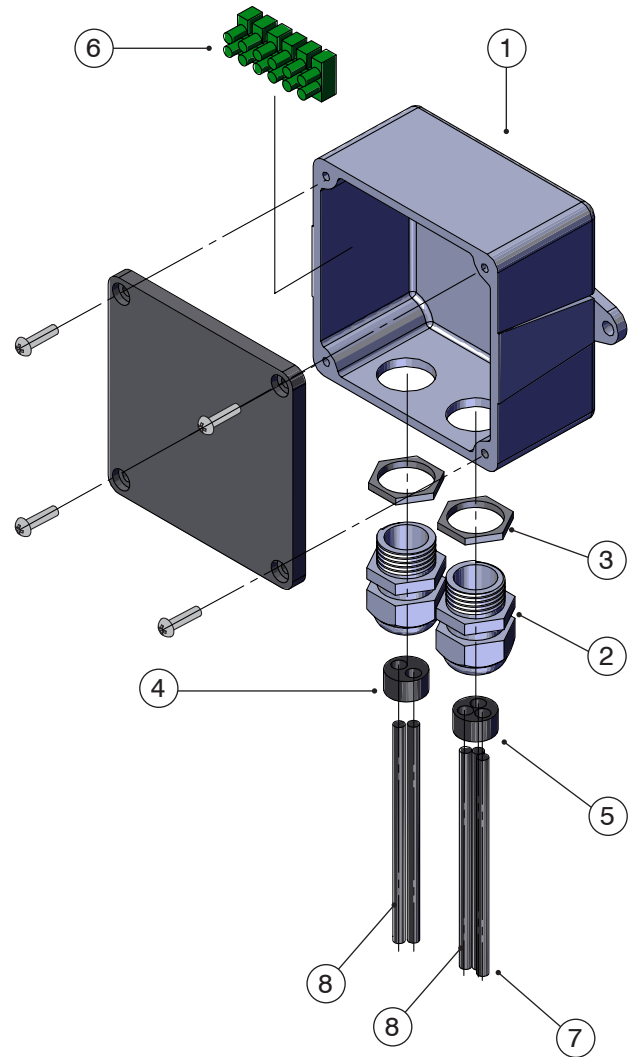
NOTE: Checkered steel option shown. The smooth steel cover plate is fitted with a notch.



RVR303 COVER PLATE			
TYPE	PART NO.	APPLICATION	QTY REQ'D
Checkered Steel	1001727	Vertical docks	1
Smooth Steel	1001727-1	Pit docks	1

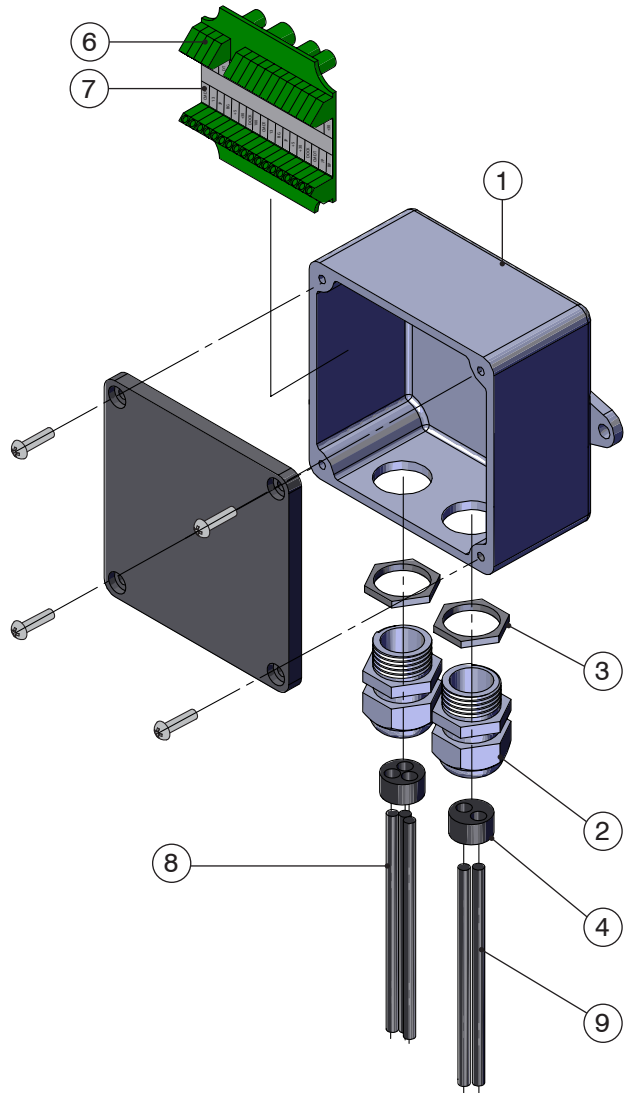
RESTRAINT JUNCTION BOX

RVR303 REMOTE I/O HARNESS ASSEMBLY # 026-H24			
ITEM	QTY	PART NO.	DESCRIPTION
1	1	025-G020M	Junction Box 4" x 4" (2 Holes)
2	2	025-174	PG16 Cable Gland
3	2	025-177	PG16 Metal Locknut
4	1	025-179	PG16 Multi-Hole Seal (2 Holes)
5	1	025-175	PG16 Multi-Hole Seal (3 Holes)
6	1	025-172-6	Terminal Block
7	1	026-G033-2400	Communication Cable
8	4	028-200	Proxy Switches

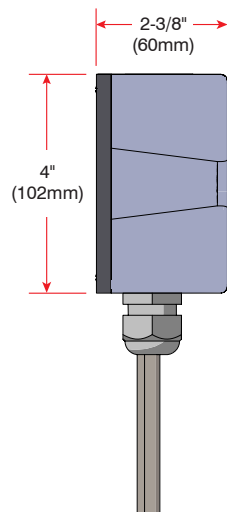
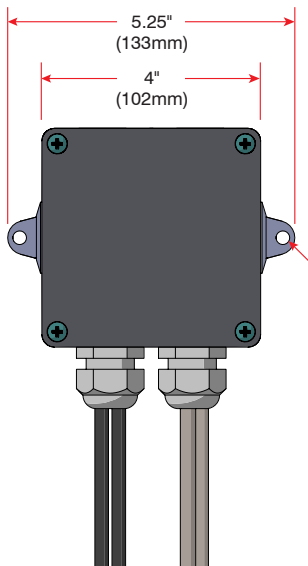


JUNCTION BOX W/REMOTE I/O

RVR303 REMOTE I/O HARNESS ASSEMBLY # 026-H34			
ITEM	QTY	PART NO.	DESCRIPTION
1	1	025-G020M	Junction Box 4" x 4" (2 Holes)
2	2	025-174	PG16 Cable Gland
3	2	025-177	PG16 Metal Locknut
4	1	025-179	PG16 Multi-Hole Seal (2 Holes)
5	1	025-175	PG16 Multi-Hole Seal (3 Holes)
6	1	026-G025	Remote I/O Board
7	1	038-279	Decal, I/O Circuit Board
8	4	026-G074	Solenoid Valve Connector
9	1	026-H16-1	Comms. - Harness w/ cable - 30'



JUNCTION BOX DIMENSIONS



Junction Box - Front View

Junction Box - Side View

BLUE GIANT[®]
BLUE GIANT EQUIPMENT CORPORATION

Corporate 410 Admiral Blvd
Mississauga, ON, Canada L5T 2N6
t 905.457.3900 f 905.457.2313

USA 6350 Burnt Poplar Road
Greensboro, NC 27409
www.bluegiant.com