

# PARTS LIST

## STRONGARM™ SVR303 VEHICLE RESTRAINT

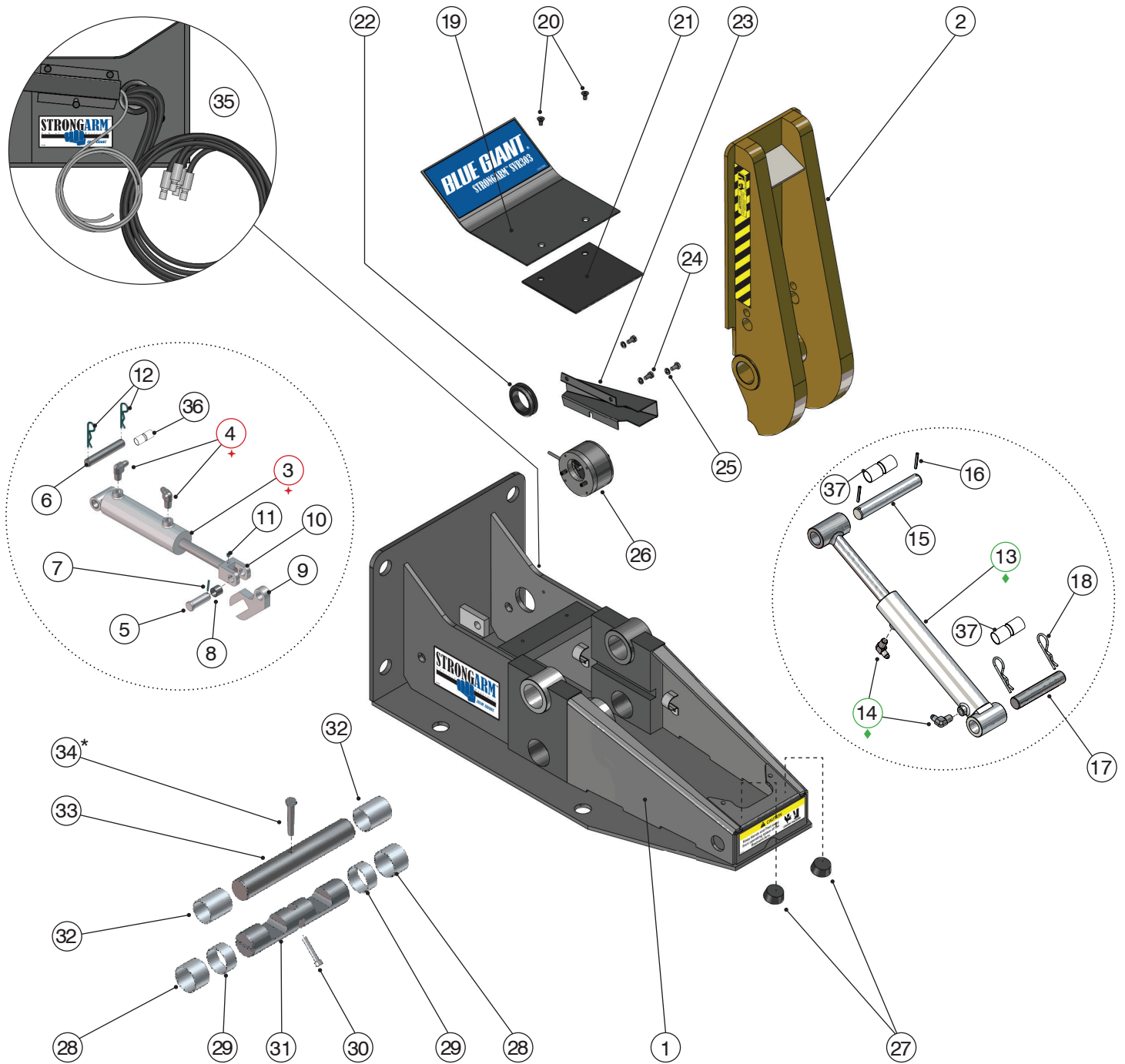


### WARNING

DO NOT INSTALL, OPERATE OR SERVICE THIS PRODUCT UNLESS YOU HAVE READ AND FULLY UNDERSTAND THE ENTIRE CONTENTS OF THIS MANUAL. FAILURE TO DO SO MAY RESULT IN

**BLUE GIANT®**

**MECHANICAL ASSEMBLY - 54-010980 AND 54-010980-ZP**



NOTE	PART NO.	DESCRIPTION
★	54-00004	Lock cylinder assembly includes parts highlighted
◆	54-001799	Arm cylinder assembly includes parts highlighted

**MECHANICAL ASSEMBLY - 54-010980 AND 54-010980-ZP CONT'D.**

ITEM	QTY.	PART NO.	DESCRIPTION
1	1	54-010979	Chassis Weldment
		54-010979-ZP	Chassis Weldment, Zinc Plated
2	1	54-011050	Arm Weldment
3	1	54-00004	Lock Cylinder (Part No. 54-00007-K)
4	2		Fitting (Part No. 034-619)
5	1	54-00022	Rod End Pin
6	1	54-000513	Lock Clevis Pin
7	1	013-020	Spring Pin 1/8 Dia. x 1"
8	1	018-638-1	Plastic Bushing 5/8" x 5/8" L
9	1	54-00043	Lug
10	1	54-00008	Clevis
11	1	014-013	Allen Set Screw 1/4 x 28 UNF
12	2	013-028	Hairpin Cotter
13	1	54-001799	Arm Cylinder (Part No. 54-001273-K)
14	2		Fitting (Part No. 034-619)
15	1	54-00021	Arm Rod End Pin
16	2	013-127	3/16 Dia. Spring Pin x 1.50
17	1	54-000506	Arm Clevis Pin
18	2	013-029	Hairpin Cotter
19	1	54-010983	Body Cover
		54-010983-ZP	Body Cover , Zinc Plated
20	2	011-037	FHSCS

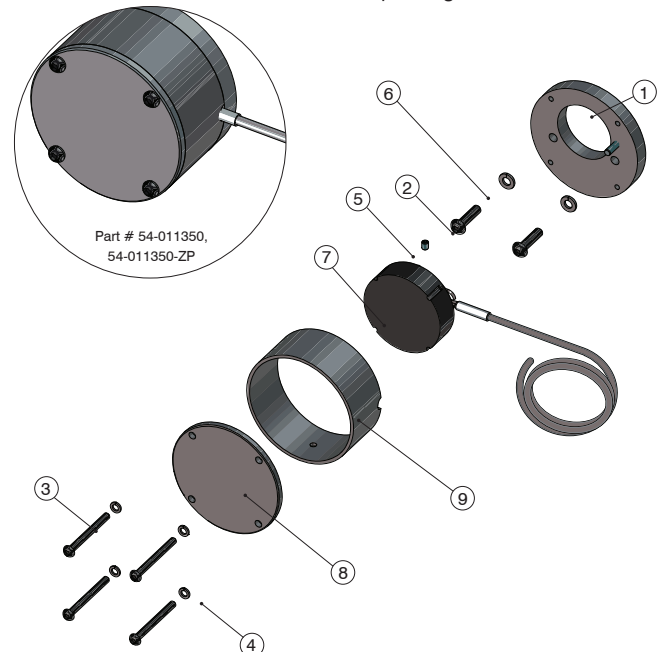
ITEM	QTY	PART NO.	DESCRIPTION
21	1	54-001608	Rubber Seal
22	1	037-090	Rubber Grommet
23	1	54-001600	Cable Cover
		54-001600-ZP	Cable Cover, Zinc Plated
24	3	010-072	Cap Screw 1/4-20 x 1/2 HH
25	3	012-202	Regular Spring Lock Washers (U.S.)
26	1	54-011350	Sensor Hub Assembly (See Section 12.4)
		54-011350-ZP	Sensor Hub Assembly (See Section 12.4), Zinc Plated
27	2	165-9197	Rubber Bumper
28	2	018-635-1	Plastic Bushing 2" Dia. x 1-1/2" L
29	2	018-634-1	Plastic Bushing 2" Dia. x 1" L
30	1	011-184	Socket Head Cap Screw 3/8 x 24UNF x 2
31	1	54-000534	Lock Pin
32	2	018-636-1	Plastic Bushing 1-3/4" Dia. x 2" L
33	1	54-006851-1	Arm Pivot Pin
34*	1	010-211	Hex Head Cap Bolt 1/2 -13 UNC x 2 3/4
35	Not in this assembly. These items are sold separately.		
	Hose #4 High Pressure (TYP. STD. Length may change per application requirement, default application lengths shown below)		
	2	100-5022-3	21' (6.4m) Lock
	2	100-5022-4	23' (7.0m) Arm
	2	100-5022-1	15' (4.6m) Lock
	2	100-5022-2	17' (5.2m) Arm
36	2	54-00007	IGUS BUSHING GSI-1011-16
37	4	54-001273	IGUS BUSHING GSI-1618-20

**RESTRAINT ARM SENSOR ASSEMBLY –54-011350**

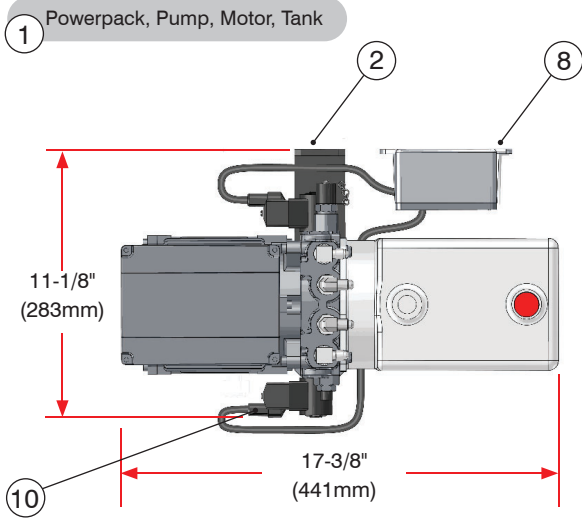
**SENSOR ASSEMBLY # 54-011350 / 54-011350-ZP**

ITEM	QTY	PART NO.	DESCRIPTION
1	1	54-006834-1	Base Plate Assembly
		54-006834-1-ZP	Base Plate Assembly, Zinc Plate
2	2	010-224	Button HD Cap Screw 1/4-20 x 1"
3	4	010-223	Button HD Cap Screw 10-24 x 2" SS
4	4	012-225	Internal Tooth Lock Washer #10
5	1	014-000	Cup Point SSS #10-24 UNC x 1/4 (U.S.)
6	2	012-202	Spring Lock Washer 1/4"
7	1	54-001563	Intelligent Position Sensor (IPS) with Comm Cable
8	1	54-011049	Hub Lid
		54-011049-ZP	Hub Lid, Zinc Plated
9	1	54-011226	Hub Ring
		54-011226-ZP	Hub Ring, Zinc Plated

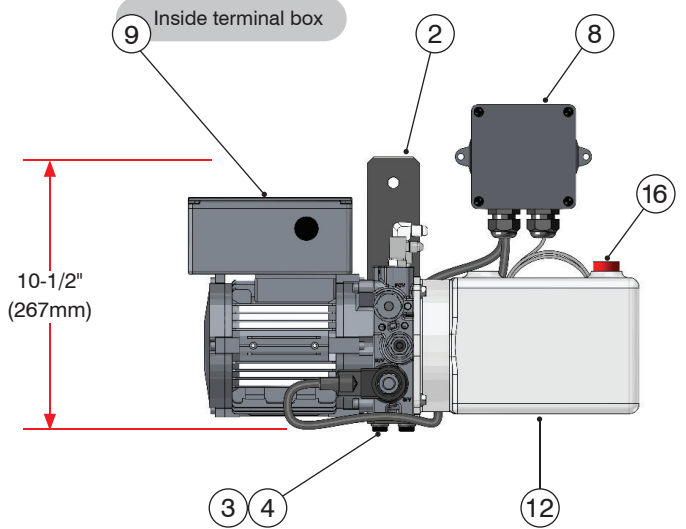
\*Arm cap bolt 010-211 to be installed from the top, ensuring the head of the bolt does not interfere with lock clevis when operating unit.



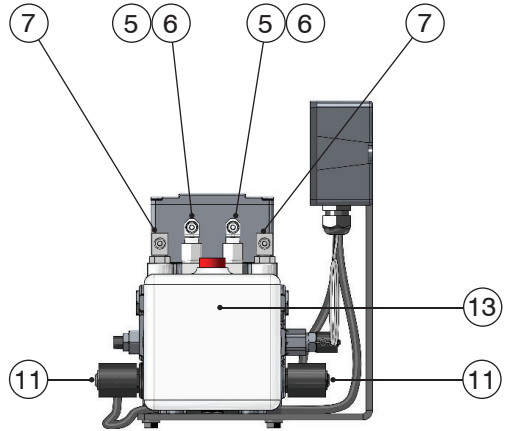
**POWERPACK PART IDENTIFICATION**



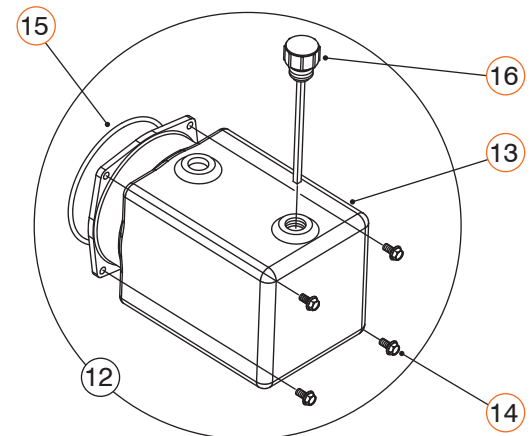
Top View – Wall Mount



Front View – Wall Mount



Side View (Tank End) – Wall Mount

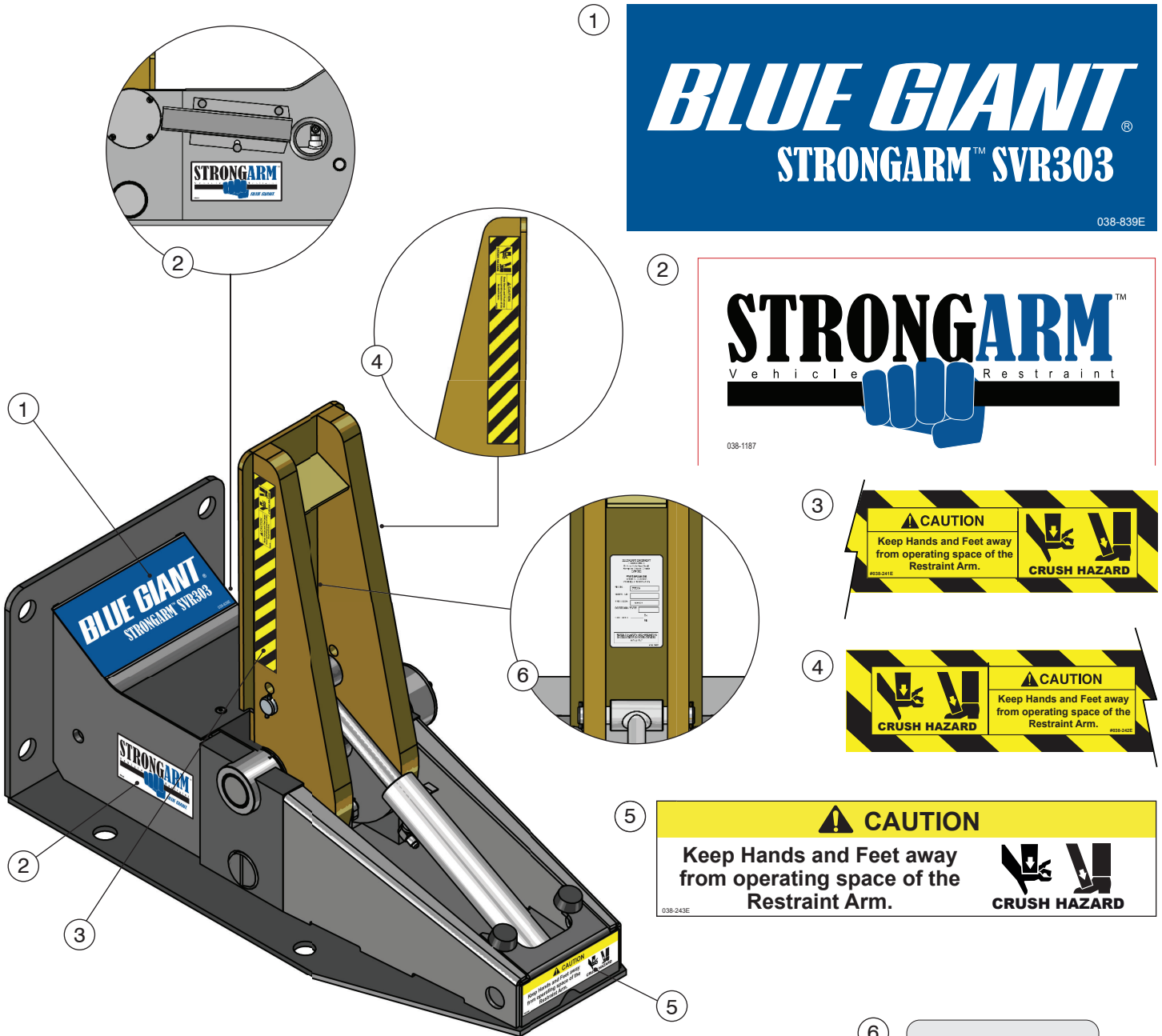


Powerpack Tank Kit

**SVR303 POWERPACK - WALL BRACKET ASSEMBLY # 54-011700**

ITEM	QTY	PART NO.	DESCRIPTION	ITEM #1
1	1	54-011700-1	SVR303 PP 1PH-115/230V-50/60HZ	033-441-K
		54-011700-2	SVR303 PP 3PH-230/460V-50/60HZ	033-445-K
		54-011700-3	SVR303 PP 3PH-575V-60HZ	033-447-K
2	1	54-011699	Wall Bracket - SVR303 Powerpack	
3	4	010-188	Hex Head Socket 1/2 NPT Cap Screws (Metric)	
4	4	012-201	Lock Washers 3/8" Helical	
5	2	034-580	3/8 Male O-Ring to Female Pipe	
6	2	034-619	Fitting (4MJ - 4MP - 90)	
7	2	034-769	Fitting (6MB - 4MJ - 90)	
8	1	026-H24	Junction Box Assembly (See pg. 8)	
9	1	025-172	Terminal Blocks 0.32" x 11	
10	2	026-G074	Solenoid Valve Connector with Cable	
11	2	54-012251	Solenoid Cartridge and Coil	
12	1	54-012250	Tank (Reservoir Oil) Kit w/ "O" Ring <b>(NOTE: Hardware includes parts highlighted f)</b>	
f	13	1	412014	Tank
f	14	4	400740	Tank Bolt
f	15	1	401009	"O" Ring for Tank
f	16	1	401504	Breather Cap with Dipstick

DECAL IDENTIFICATION AND LOCATION



ITEM	QTY	PART NO.	DESCRIPTION
1	1	038-239	Decal - BG SVR303
2	2	038-1187E	Decal - StrongArm™ - Vehicle Restraint
3	1	038-241E	Decal - Crush Hazard - Left Side
4	1	038-242E	Decal - Crush Hazard - Right Side
5	1	038-243E	Decal - Crush Hazard
6	1	038-299E	F Decal - Serial Plate - English / French
			S Decal - Serial Plate - English / Spanish

BLUE GIANT EQUIPMENT CORPORATION  
 85 Heart Lake Road South  
 Brampton, Ontario, Canada  
 L6W 3K2

www.BlueGiant.com  
 MADE IN CANADA  
 FABRIQUE AU CANADA

MODEL / NO. DE MODELE:

SERIAL NO. / NO. DE SERIE:

ANSI CODE:

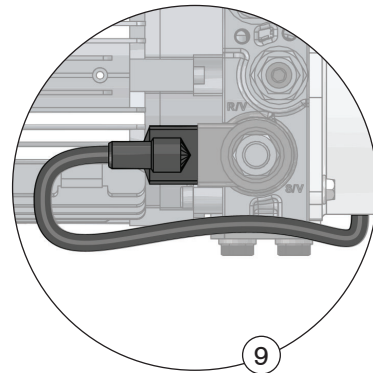
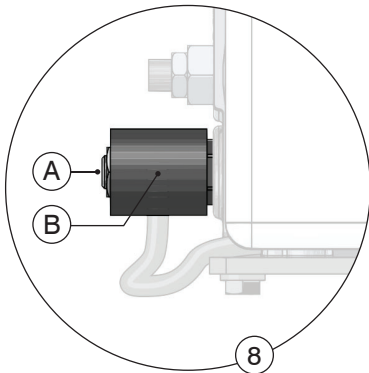
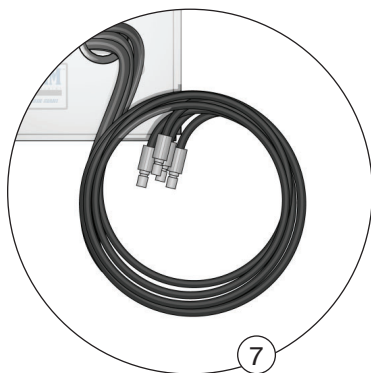
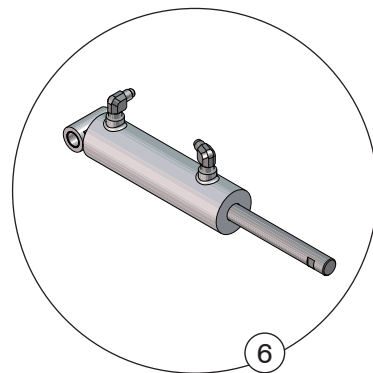
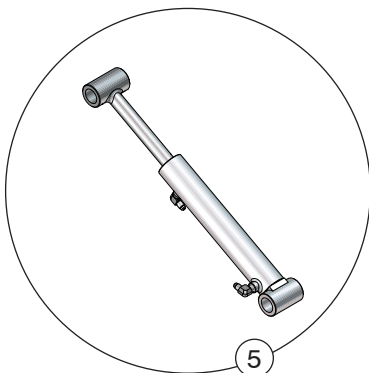
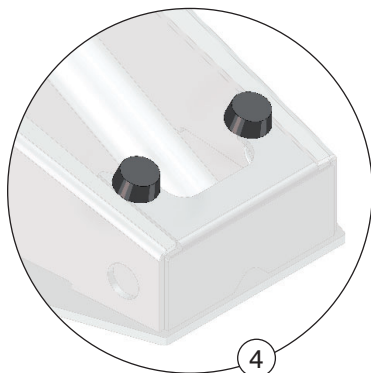
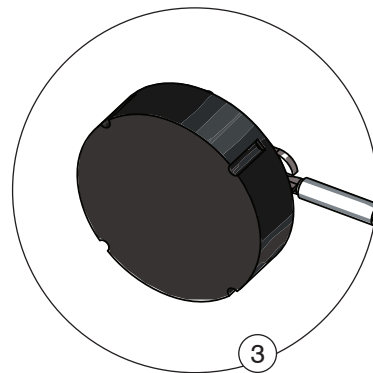
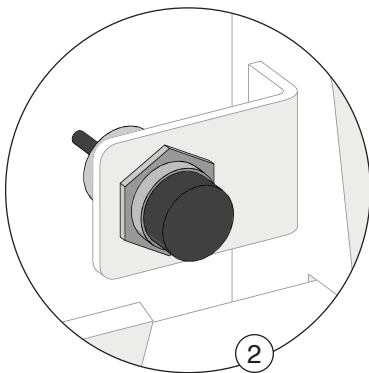
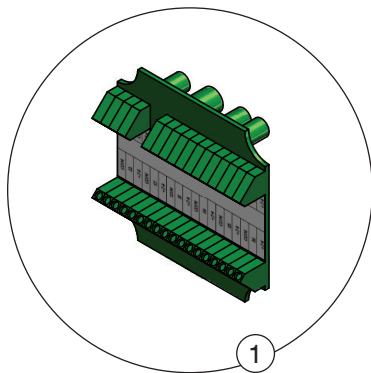
CONST. MM / YYYY:

TEST LOAD / TEST DE CHARGE: \_\_\_\_\_ lbs.  
 \_\_\_\_\_ kg.

"REFER TO SAFETY AND OPERATING INSTRUCTIONS IN YOUR OWNERS MANUAL" /  
 "VOIR LES CONSIGNES DE SECURITE ET LE MODE D'EMPLOI DANS VOTRE GUIDE D'UTILISATION."

038-299EF

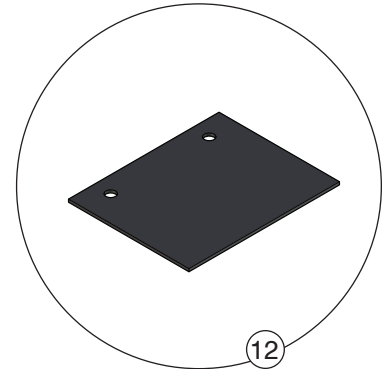
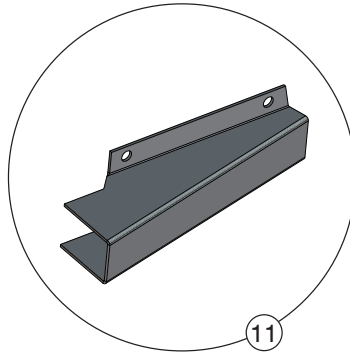
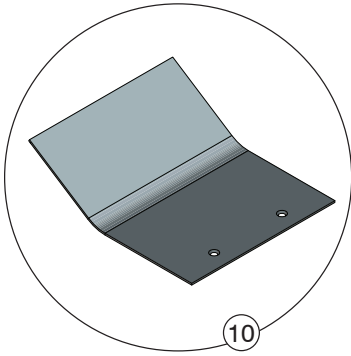
**RECOMMENDED SPARE PARTS – STANDARD OPERATIONAL COMPONENTS**



RSP FOR SVR303 – STANDARD OPERATIONAL COMPONENTS			
ITEM	PART NO.	DESCRIPTION	QTY
1	026-G025BM	Remote I/O Board (No resistor)	1
2	026-G019	Proximity Sensor(30mm Unshielded): Home/Lip Sensor	1
	026-M12-F5	5 Meter Cable for Proximity Sensor	1
	026-M12-F2	2 Meter Cable for Proximity Sensor	1
	21-002154	Bracket for Proximity Sensor	1
3	54-001563	Position Sensor with Cable	1
4	165-9197	Rubber Bumper	2
5	54-001799	Arm Cylinder with Fittings	1

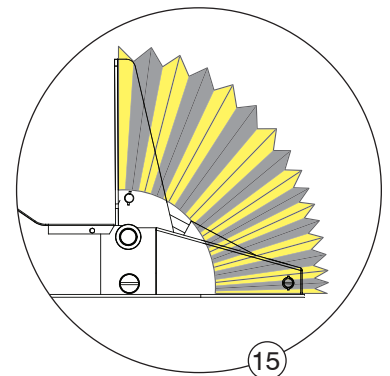
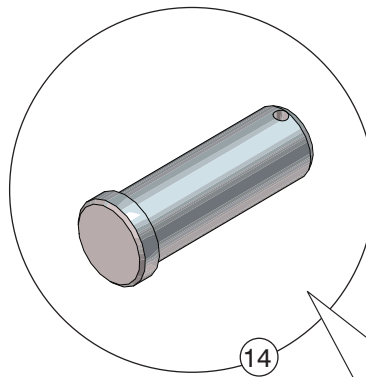
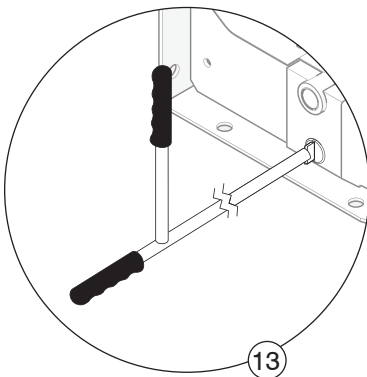
RSP FOR SVR303 – STANDARD OPERATIONAL COMPONENTS			
ITEM	PART NO.	DESCRIPTION	QTY
6	54-00004	Lock Cylinder with Fittings	1
7	<b>Hose #4 High Pressure</b> (TYP. STD. length may change per order requirement)		
	100-5022-3	21' (6.4m) Lock	Wall Mount STD. 20' hose run
	100-5022-4	23' (7.0m) Arm	
	100-5022-1	15' (4.6m) Lock	Pit Mount Option 14' hose run
	100-5022-2	17' (5.2m) Arm	
8	54-012251	<b>A:</b> HYDPP Solenoid Cartridge (411896) <b>B:</b> Coil (401893)	1
9	026-G074	Solenoid Valve Connector with Cable	1

**RECOMMENDED SPARE PARTS – COMPONENT SHIELDS**

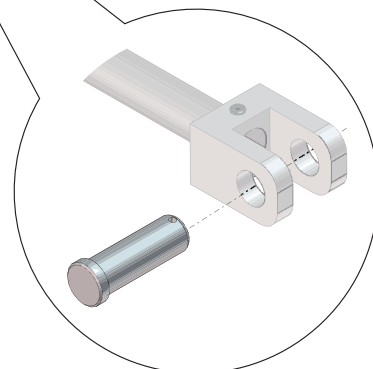


RSP FOR SVR303 – COMPONENT SHIELDS			
ITEM	PART NO.	DESCRIPTION	QTY REQ'D
10	54-010983	Body Cover	1
	54-010983-ZP	Body Cover, Zinc Plated	
11	54-001600	Cable Cover	1
	54-001600-ZP	Cable Cover, Zinc Plated	
12	54-001608	Rubber Seal	1

**RECOMMENDED SPARE PARTS – OPTIONAL SUPPORT COMPONENTS**

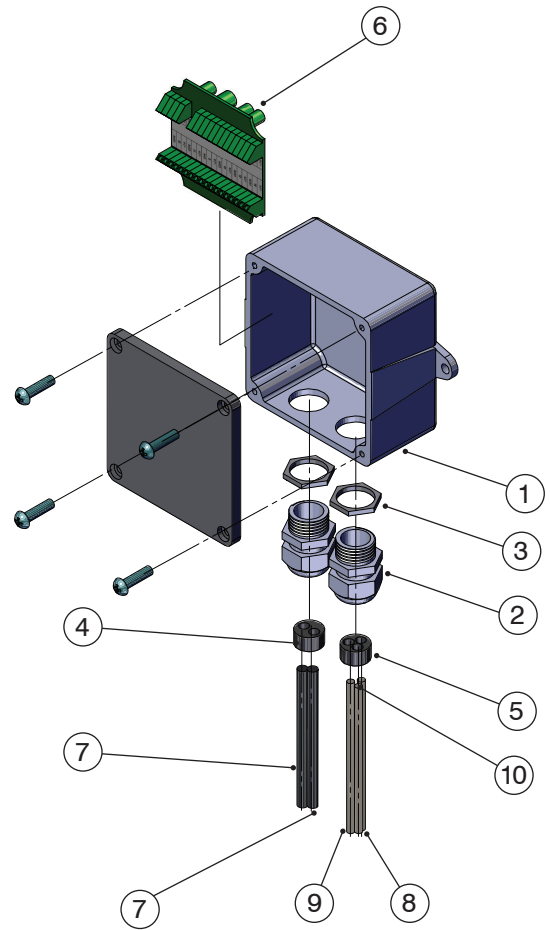


RSP FOR SVR303 – OPTIONAL SUPPORT COMPONENTS			
ITEM	PART NO.	DESCRIPTION	QTY REQ'D
13	54-001682	Lock Manual Release Tool (Long Handle)	1
14	54-00022	Rod End Pin (Lock Cylinder)	1
15	54-001686	Weather / Debris Seal Kit	1



**JUNCTION BOX W/REMOTE I/O**

SVR303 REMOTE I/O HARNESS ASSEMBLY # 026-H24			
ITEM	QTY	PART NO.	DESCRIPTION
1	1	025-G020M	Junction Box 4" x 4" (2 Holes)
2	2	025-174	PG16 Cable Gland
3	2	025-177	PG16 Metal Locknut
4	1	025-179	PG16 Multi-Hole Seal (2 Holes)
5	1	025-175	PG16 Multi-Hole Seal (3 Holes)
6	1	026-G025BM	Remote I/O Board (No Resistor)
7	2	026-G074	Solenoid Valve Connector - 3' (914mm)
8	1	026-H16-1	Communication Cable to Blue Genius™ - 30' (9.14 m)
9	1	54-001563	IPS Sensor
10	1	026-G035-2400	Unshielded Home / Lip Cable - 3 Wire - 20' (6.09 m)





**NOTES**

**NOTES**

**NOTES**

**BLUE GIANT**<sup>®</sup>  
BLUE GIANT EQUIPMENT CORPORATION

**Corporate** 410 Admiral Blvd  
Mississauga, ON, Canada L5T 2N6  
t 905.457.3900 f 905.457.2313

**USA** 6350 Burnt Poplar Road  
Greensboro, NC 27409  
[www.bluegiant.com](http://www.bluegiant.com)