

PARTS LIST

STRONGARM™ ML10 VEHICLE RESTRAINT



ACTUAL PRODUCT MAY NOT APPEAR EXACTLY AS SHOWN

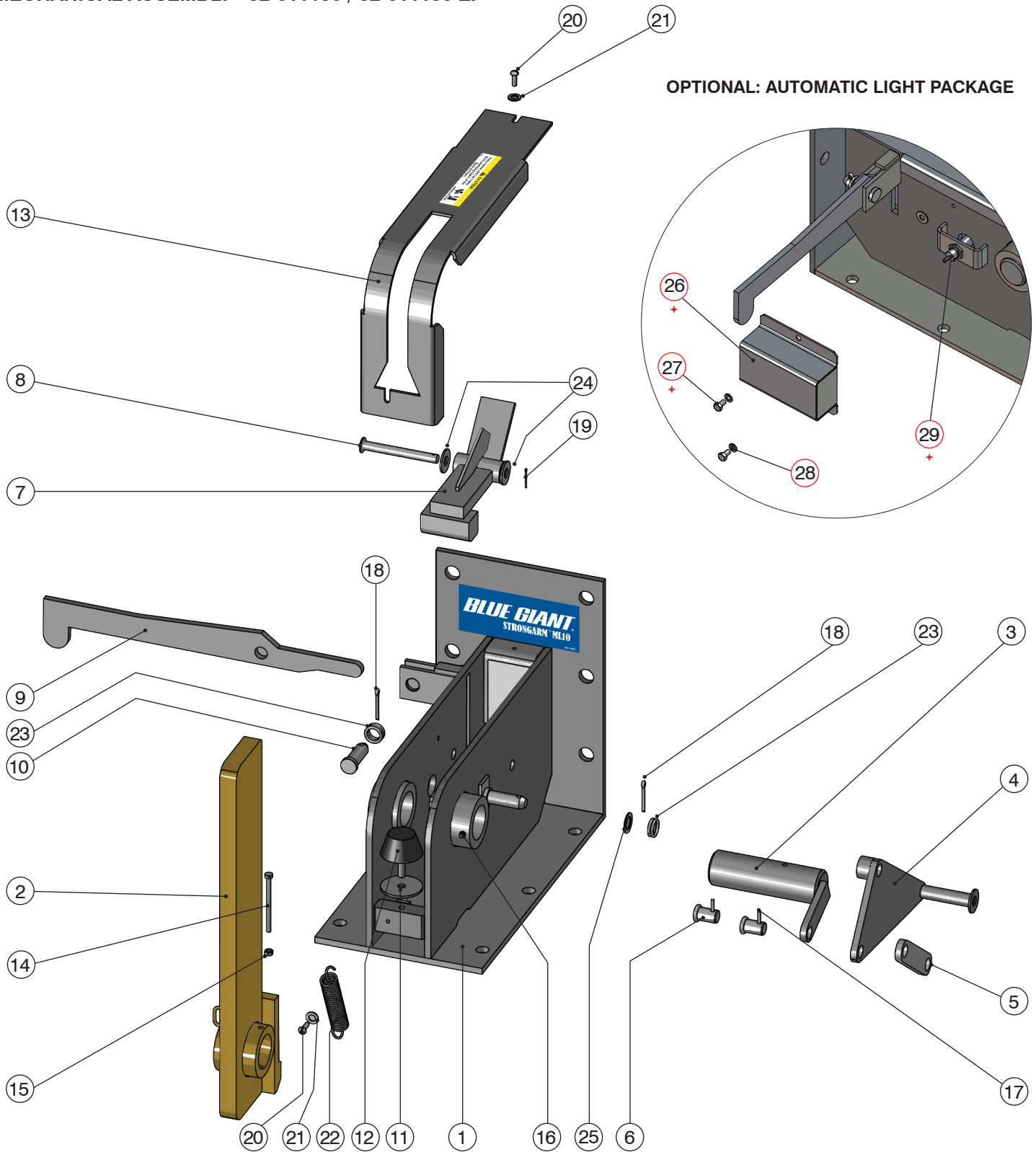


WARNING

Do not operate, install, or service this product unless you have read and fully understand the entire contents of this manual. Failure to do so may result in property damage, bodily injury or death.

BLUE GIANT®

MECHANICAL ASSEMBLY - 52-011130 / 52-011130-ZP



NOTE	PART NO.	DESCRIPTION
★	52-011131	Automatic light package includes parts highlighted

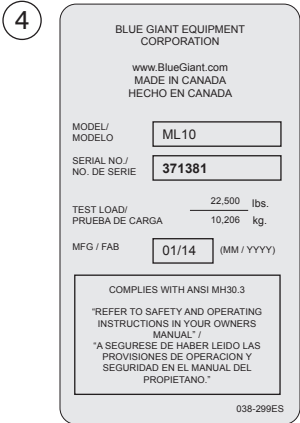
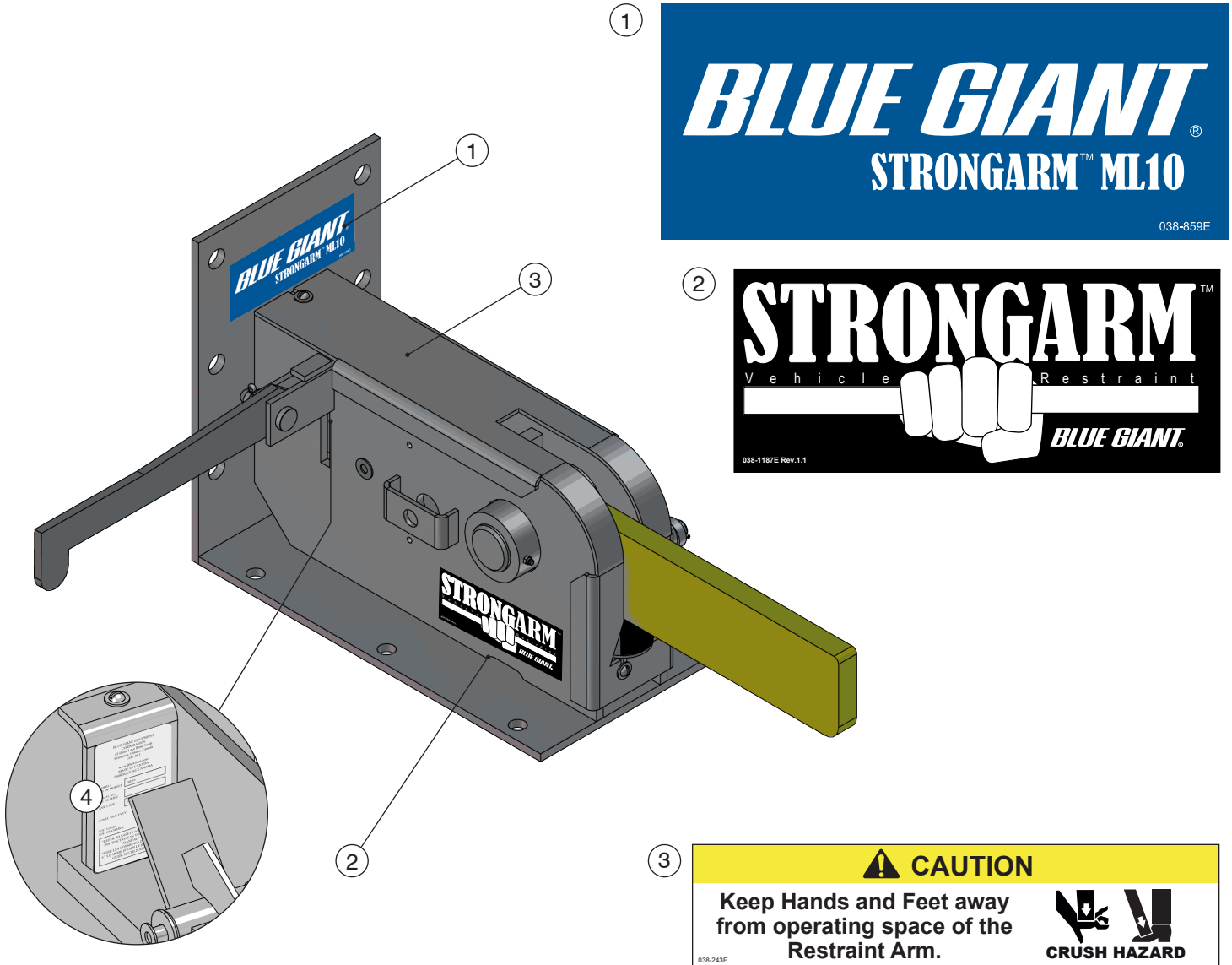
MECHANICAL ASSEMBLY - 52-011130 / 52-011130-ZP CONT'D.

ITEM	QTY	PART NO.	DESCRIPTION
1	1	52-011160	Body Weldment
		52-011160-ZP	Body Weldment, Zinc Plated
2	1	52-012731	Restraint Arm 26" (660mm)
3	1	522-5005	Shaft Arm Pin
4	1	522-5006	Engagement Arm Weldment
		522-5006-ZP	Engagement Arm Weldment, Zinc Plated
5	1	522-0010	Actuator Linkage
		522-0010-ZP	Actuator Linkage, Zinc Plated
6	2	119-278	Pivot Pin
7	1	522-5001	Lock Weldment
		522-5001-ZP	Lock Weldment, Zinc Plated
8	1	210-0005	Lock Roller Pin Assembly
9	1	522-0000	Release Arm
		522-0000-ZP	Release Arm, Zinc Plated
10	1	107-196	Clevis Pin
11	1	107-046	Washer Spacer
12	1	091-041	Rubber Bumper
13	1	52-011187	Truck Latch Cover
		52-011187-ZP	Truck Latch Cover, Zinc Plated
14	1	011-141	Cap Screw 1/4" - 20 x 3 1/2"(89mm) HH
15	1	011-506	Nuts Hex 1/4" - 20 PLTD
16	2	019-500	Nipple Straight Grease 1/4"
17	2	013-066	5/32" dia. Spring Pin 5/32" x 1 1/4" (32mm)
18	2	013-025	Cotter Pin 3/16" x 1 1/2" (38mm)
19	1	013-018	Cotter Pin 3/32" x 1" (25mm)
20	2	011-020	Round Head Slotted Screws (U.S.)
21	2	012-211	Flat Washer Type B Narrow 3/8"
22	1	017-012	Tension Spring
23	5	106-046	Ring, Split
24	3	012-212	Washer, Zinc-Plated 1/2"
25	1	105-879	Flat Washer 3/4" x 1-3/16" x 1/16"

AUTOMATIC LIGHT PACKAGE MECHANICAL ASSEMBLY - 52-011131 (INCLUDES PART # 52-011130/52-011130-ZP)

ITEM	QTY	PART NO.	DESCRIPTION	
+	26	1	52-011115	Sensor Cover
			52-011115-ZP	Sensor Cover, Zinc Plated
+	27	2	010-036	Cap Screw 5/16-18 x 1/2 HH GR. 5 ZC
+	28	2	012-200	Spring Lock Washers 5/16"
+	29	1	028-212	Proximity Sensor 18mm w/ 5m cable + 2 jamb nuts

DECAL IDENTIFICATION AND LOCATION



ITEM #	QTY	PART NO.	DESCRIPTION
1	1	038-859E	Decal - BG StrongArm™ ML10
2	1	038-1187E	Decal - StrongArm™ - Vehicle Restraint
3	1	038-243E	Decal - Crush Hazard
4	1	038-299EF	Decal - Serial Plate - English / French
		038-299ES	Decal - Serial Plate - English / Spanish

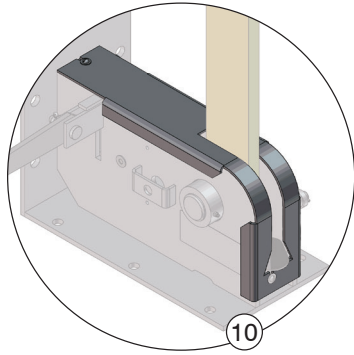
RECOMMENDED SPARE PARTS - STANDARD OPERATIONAL COMPONENTS



RSP FOR ML10 – STD OPERATIONAL COMPONENTS			
ITEM	PART NO.	DESCRIPTION	QTY REQ'D
1	782-371	Control Rod	1
2	017-012	Return Spring	1
3	522-0000	Arm, Release Lever	1
	522-0000-ZP	Arm, Release Lever, Zinc Plated	
4	522-5001	Lock Weldment	1
	522-5001-ZP	Lock Weldment, Zinc Plated	
5	210-0005	Pin, Lock Weldment	1

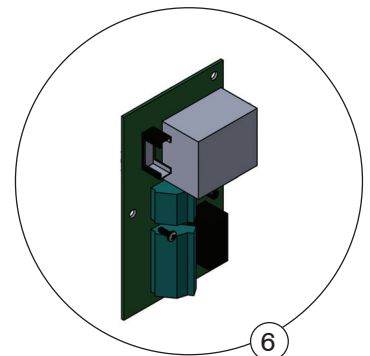
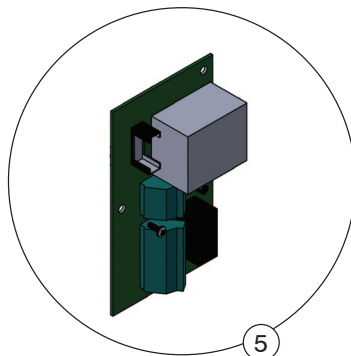
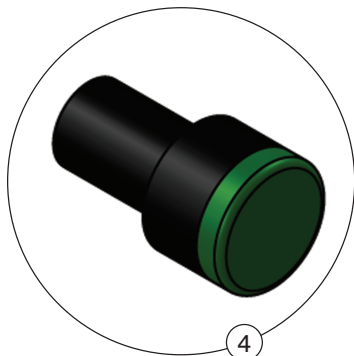
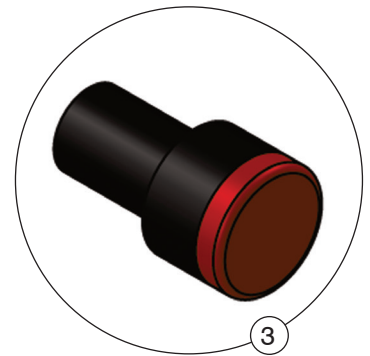
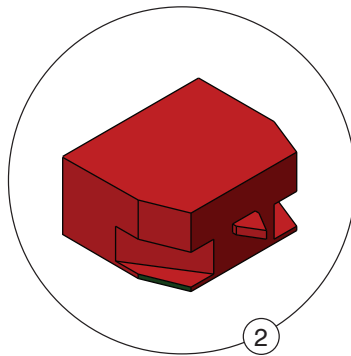
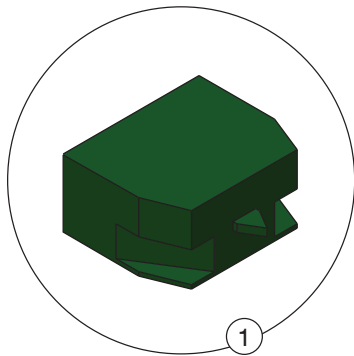
RSP FOR ML10 – STD OPERATIONAL COMPONENTS			
ITEM	PART NO.	DESCRIPTION	QTY REQ'D
6	522-5005	Arm, Pivot Shaft Assembly	1
7	522-5006	Arm, Engagement Lever	1
	522-5006-ZP	Arm, Engagement Lever, Zinc Plated	
8	522-0010	Arm Engagement Link 1 1/4" x 5 5/8" (32mm x 143 mm)	1
	522-0010-ZP	Arm Engagement Link, Zinc Plated 1 1/4" x 5 5/8" (32mm x 143 mm)	
9	091-041	Bumper	1

RECOMMENDED SPARE PARTS - PROTECTIVE COMPONENTS



RSP FOR ML10 – PROTECTIVE COMPONENTS			
ITEM	PART NO.	DESCRIPTION	QTY REQ'D
10	52-011187	Top Cover	1
	52-011187-ZP	Top Cover, Zinc Plated	

RECOMMENDED SPARE PARTS - TLC24 COMPONENTS (OPTIONAL)



RSP FOR TLC24 COMPONENTS (OPTIONAL)			
ITEM	PART NO.	DESCRIPTION	QTY REQ'D
1	026-G202	Normal-Open Contact Block	1
2	026-G203	Normal-Closed Contact Block	1
3	026-G205	24V Monoblock LED Indicator- Red	1

RSP FOR TLC24 COMPONENTS (OPTIONAL)			
ITEM	PART NO.	DESCRIPTION	QTY REQ'D
4	026-G206	24V Monoblock LED Indicator- Green	1
5	026-G014-1115	Traffic Lights Controller Board (1PH 115V TLC)	1
6	026-G014-1230	Traffic Lights Controller Board (1PH 230V TLC)	1

BLUE GIANT[®]
BLUE GIANT EQUIPMENT CORPORATION

Corporate 410 Admiral Blvd.
Mississauga, ON, Canada L5T 2N6
t 905.457.3900 f 905.457.2313

USA 6350 Burnt Poplar Road
Greensboro, NC 27409
www.bluegiant.com