

PARTS LIST

IN-PLANT LFT LIFT TABLE



ACTUAL PRODUCT MAY NOT APPEAR EXACTLY AS SHOWN

WARNING

Do not operate or service this product unless you have read and fully understand the entire contents of this manual. Failure to do so may result in bodily injury or death.

BLUE GIANT[®]

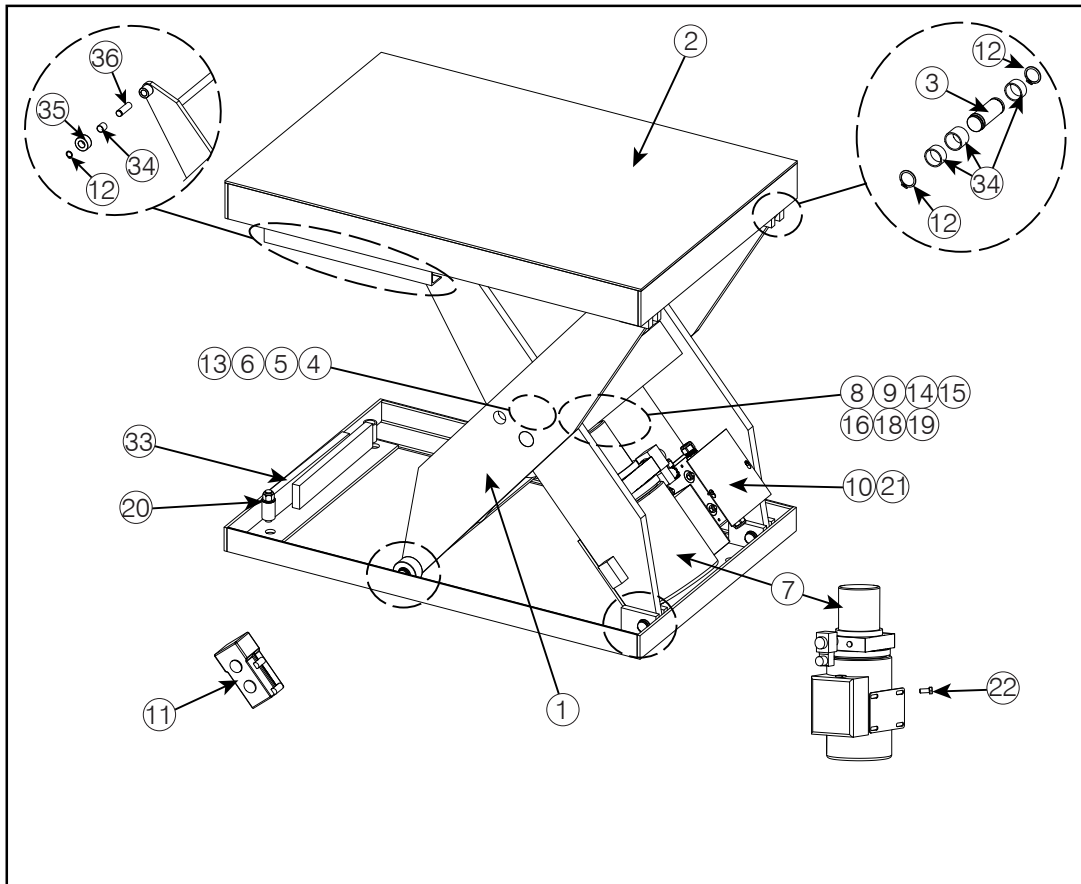
STARTING FROM NOVEMBER 15, 2023 / SERIAL # 0.

ISSUE DATE: NOVEMBER 15 2023 REV. 1.0 (PART # 038-475EPL)

1.0 LIFT TABLE MECHANICAL ASSEMBLY

This diagram shows a detailed view of the lift table assembly.

NOTE: Actual product may not appear exactly as shown.



MECHANICAL ASSEMBLY Continued

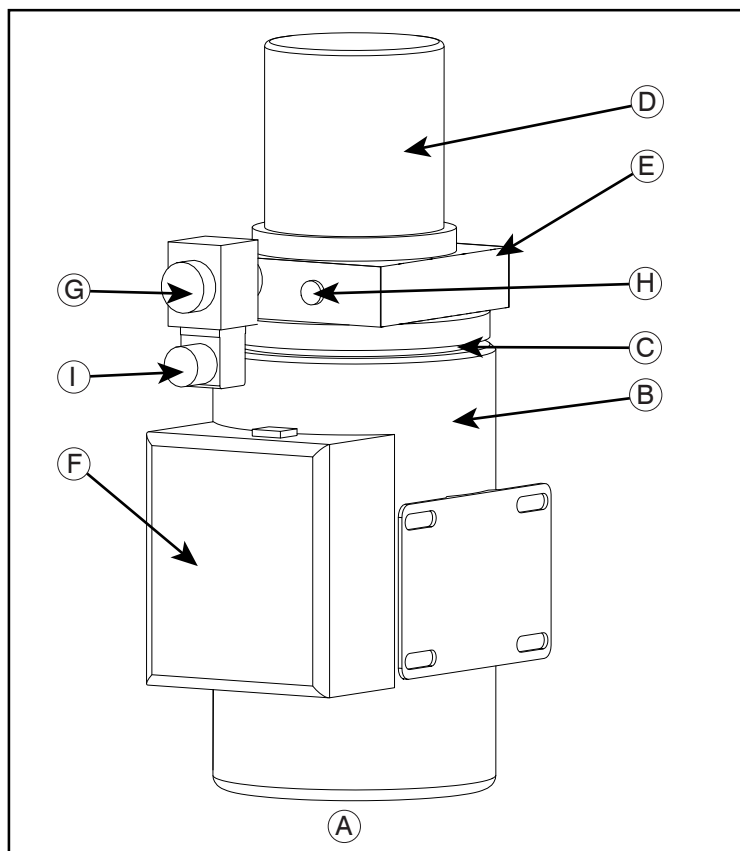
ITEM	QTY	PART NO.	DESCRIPTION
1	1	Varies on Model	ASSY, LEG/FRAME, LFT24, 24W 36L 7.5LH, 4K
2	1	Varies on Model	WELDMENT, DECK, LFT
3	2	071-0102	LEG BLOCK PIN, 0.87ODX2-3/8L
4	2	071-0098	CYLINDER PIN, 1 ODX4-3/4L
5	1	Varies on Model	CYLINDER ASSY, 3"DIA, SIDE B
6	1	Varies on Model	CYLINDER ASSY, 3"DIA, SIDE D
7	1	071-0126	POWER PACK, 1HP, COMPACT
8	2	Varies on Model 090-838-0075	HOSE, 7 5/8in LG, #6 HIGH PRESSURE
9	1	Varies on Model 090-838-0120.	HOSE, 12 in LG, #6 HIGH PRESSURE
8	2	Varies on Model 090-838-0120	HOSE, 12 in LG, #6 HIGH PRESSURE
9	1	Varies on Model 090-838-0240	HOSE, 24 in LG, #6 HIGH PRESSURE
8	2	Varies on Model 090-838-0180	HOSE, 18 in LG, #6 HIGH PRESSURE
9	1	Varies on Model 090-838-0400	HOSE, 40in LG, #6 HIGH PRESSURE
10	1	Varies on Model	ENCLOSURE BOX, STEEL, 6X6X4 KNOCK OUT
11	1	071-0002	PENDANT, 2 BUTTON, 251200
12	4	071-0072	RETAINING RING, EXTERNAL, 7/8"
13	4	013-034	EXTERNAL RETAINING RING
14	1	071-0065	FITTING, ELBOW, 45DEG, 6502-06-06
15	6	071-0075	SWIVEL, FJX-06-06
16	2	071-0070	FTNG;ELBOW;90DEG; 3/8JIC
17	4	071-0077	LOCK NUT, NPT, 1/2"
18	1	034-551	#6 JIC RUN TEE FITTING
19	2	071-0004	VELOCITY FUSE, 1/4MALE NPT X 3/8MALE JIC
20	8	012-238	WASHER, SPACER, 1/2X1X5/64, NP
21	8	011-502	NUT, HEX, 5/16-18, PREFERRED

ITEM	QTY	PART NO.	DESCRIPTION
22	8	010-037	SCREW, CAP, HEX HD, 5/16-18x0.75X0.75,
33	Varies on Model	Varies on Model	WELDMENT, MAINTENANCE STRUT
34	18	071-0019	BUSHING, 0.876X1.003X0.750
35	4	071-0104	STEEL, WHEEL, 2"OD, 1"HOLE
36	2	071-0102	LEG BLOCK PIN, 0.87ODX2-3/8L

1.1 POWERPACK PART IDENTIFICATION

The assembly and parts of the Powerpack are listed below for easy reference.

Refer to the electrical drawings for specific wiring requirements



lift table POWERPACK # PART NUMBER 071-0126		
ITEM	QTY	DESCRIPTION
A	1	POWERPACK 1HP //60 GPM
B	1	Motor
C	1	Pump (not shown)
D	1	Tank/Reservoir

lift table POWERPACK # PART NUMBER 071-0126		
ITEM	QTY	DESCRIPTION
E	1	Manifold
F	1	Junction Box
G	1	SV1
H	1	Pressure Port
I	1	Electrical Connection

1.2 HYDRAULIC SCHEMATIC

This diagram illustrates a sample (lift power up and gravity power down) Powerpack hydraulic circuit.

NOTE: Always refer to site documentation for installation specifics.

TRUTH TABLE:

ACTION	MOTOR	SV1
DECK UP	X	
DECK DOWN		X

VERTICAL TRAVEL (in)	CAPACITY (LB)	CYL. QTY.
36 & 48	2000	1
	4000	2

The hydraulic schematic shows a motor (M) connected to a pump. The pump feeds into a manifold that branches into two paths. One path goes through a valve (SV1) to a cylinder, which is connected to a lift table mechanism. The other path goes through a pressure port and a junction box. A return line from the cylinder goes back to the manifold. The lift table mechanism is shown in a partially extended position.

HYDRAULIC SCHEMATIC

1.3 RECOMMENDED PARTS

1.4 STANDARD OPERATIONAL COMPONENTS

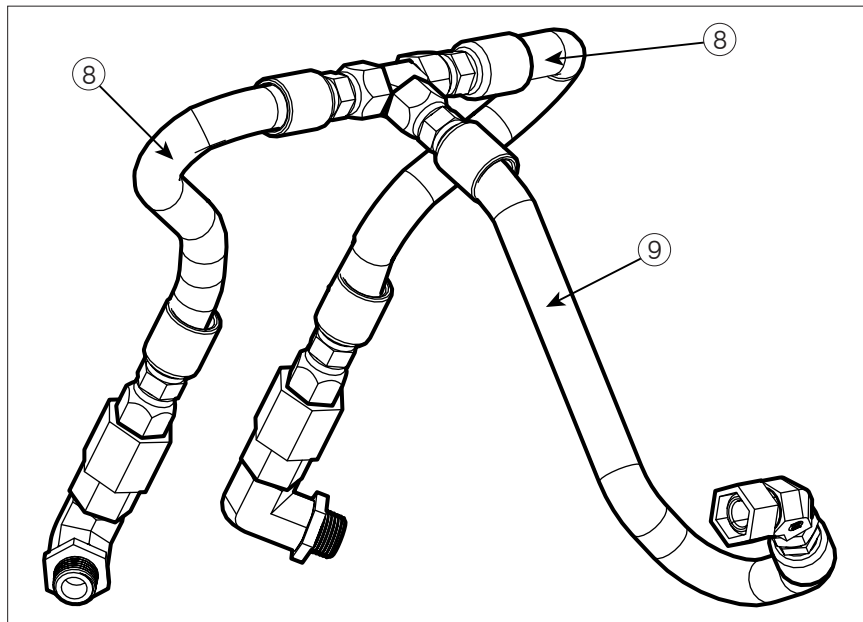
lift table STANDARD OPERATIONAL COMPONENTS			
ITEM	QTY	PART NO.	DESCRIPTION
3	2	071-0102	LEG BLOCK PIN, 0.87ODX2-3/8L
4	2	071-0098	CYLINDER PIN, 1 ODX4-3/4L
13	4	013-034	EXTERNAL RETAINING RING
14		071-0072	RETAINING RING,EXTERNAL,7/8"
33	Varies on Model	2018461	WELDMENT,MAINTENANCE STRUT
34	18	071-0019	BUSHING,0.876X1.003X0.750
35	4	071-0104	STEEL,WHEEL,2"OD,1"HOLE

1.5 OPTIONAL SUPPORT COMPONENTS

lift table OPTIONAL COMPONENTS			
ITEM	QTY	PART NO.	DESCRIPTION
5	1	Varies on Model	CYLINDER ASSY,SIDE B
6	1	Varies on Model	CYLINDER ASSY,SIDE D
8	2	Varies on Model	HOSE,#6 HIGH PRESSURE
9	1	Varies on Model.	HOSE,#6 HIGH PRESSURE
11	1	071-0002	PENDANT,2 BUTTON, 251200
12	4	071-0072	RETAINING RING,EXTERNAL,7/8"
13	4	013-034	EXTERNAL RETAINING RING
14	1	071-0065	FITTING,ELBOW,45DEG,6502-06-06
15	6	071-0075	SWIVEL,FJX-06-06
16	2	071-0070	FTNG;ELBOW;90DEG; 3/8JIC
17	4	071-0077	LOCK NUT,NPT,1/2"
18	1	034-551	#6 JIC RUN TEE FITTING
19	2	071-0004	VELOCITY FUSE,1/4MALE NPT X 3/8MALE JIC
20	8	012-238	WASHER,SPACER,1/2X1X5/64,NP
21	8	011-502	NUT,HEX,5/16-18,PREFERRED
22	8	010-037	SCREW,CAP,HEX HD,5/16-18x0.75X0.75,

IN-PLANT LFT LIFT TABLE — PARTS LIST

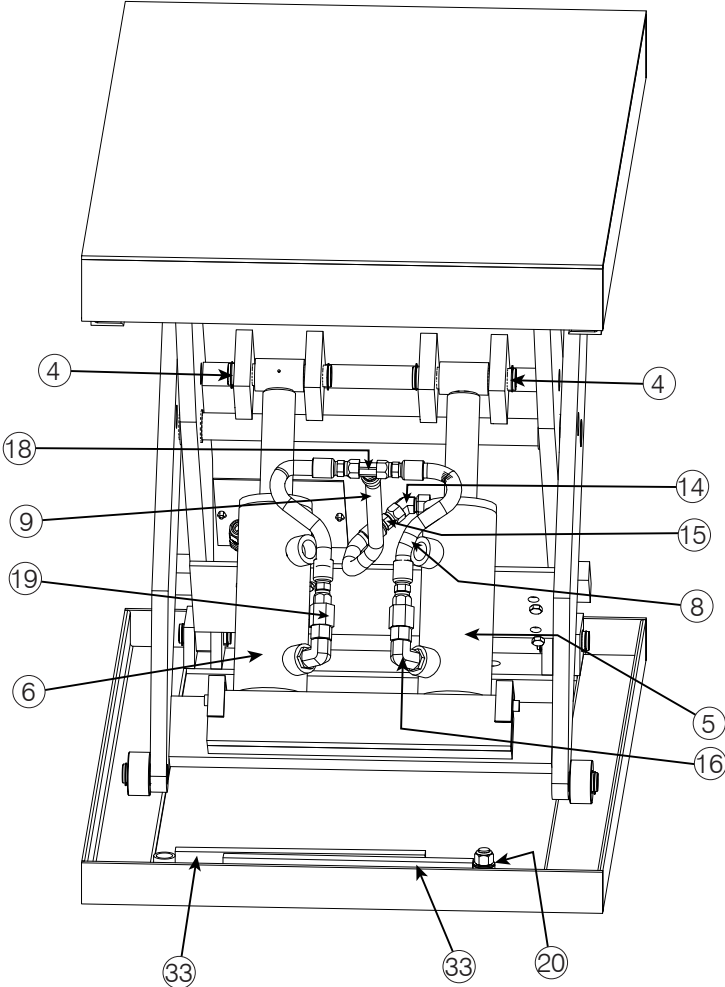
lift table HOSES			
ITEM	QTY	PART NO.	DESCRIPTION
8	2	090-838-0075	HOSE,7 5/8in LG,#6 HIGH PRESSURE
9	1	090-838-0120	HOSE,12 in LG,#6 HIGH PRESSURE
8	2	090-838-0120	HOSE,12 in LG,#6 HIGH PRESSURE
9	1	090-838-0240	HOSE, 24 in LG,#6 HIGH PRESSURE
8	2	090-838-0180	HOSE,18 in LG,#6 HIGH PRESSURE
9	1	090-838-0400	HOSE,40in LG,#6 HIGH PRESSURE



1.6 LIFT TABLE ROLLING END

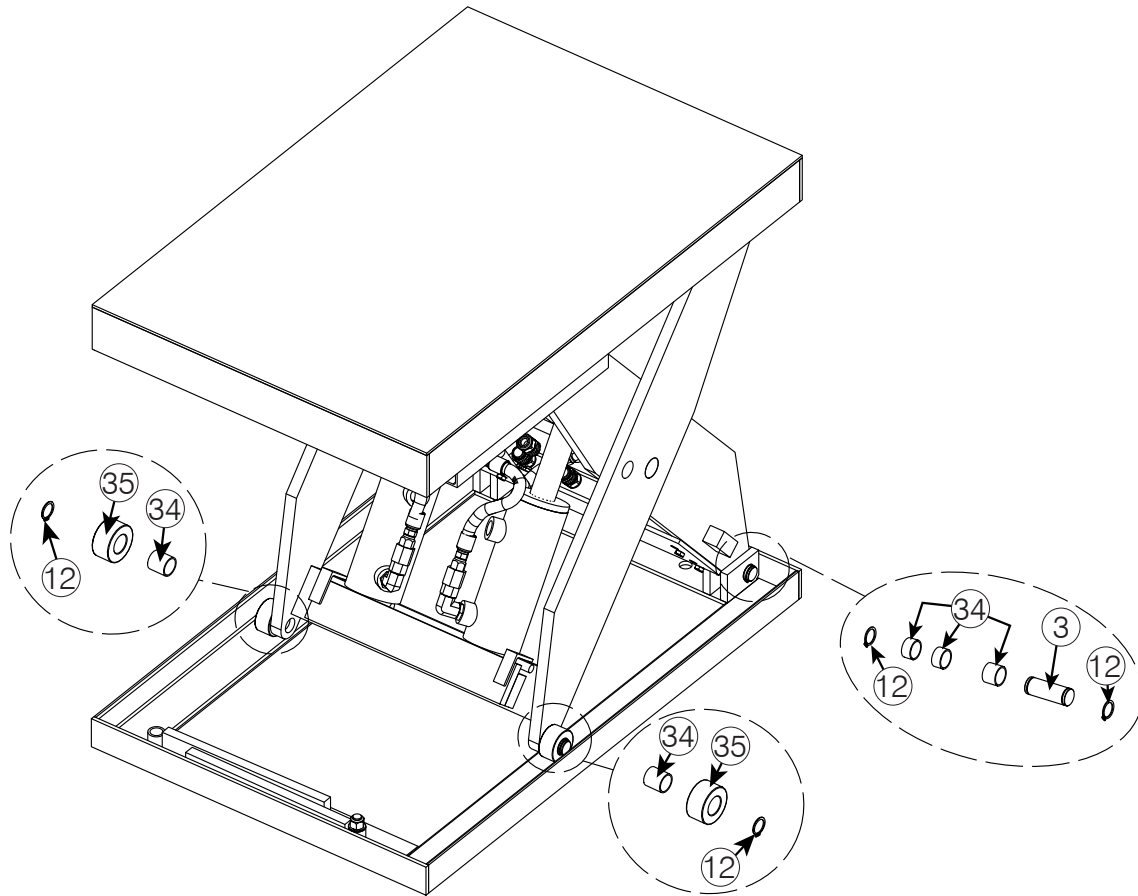
This diagram displays the lift table and the field replaceable parts.

NOTE: Actual product may not appear exactly as shown.



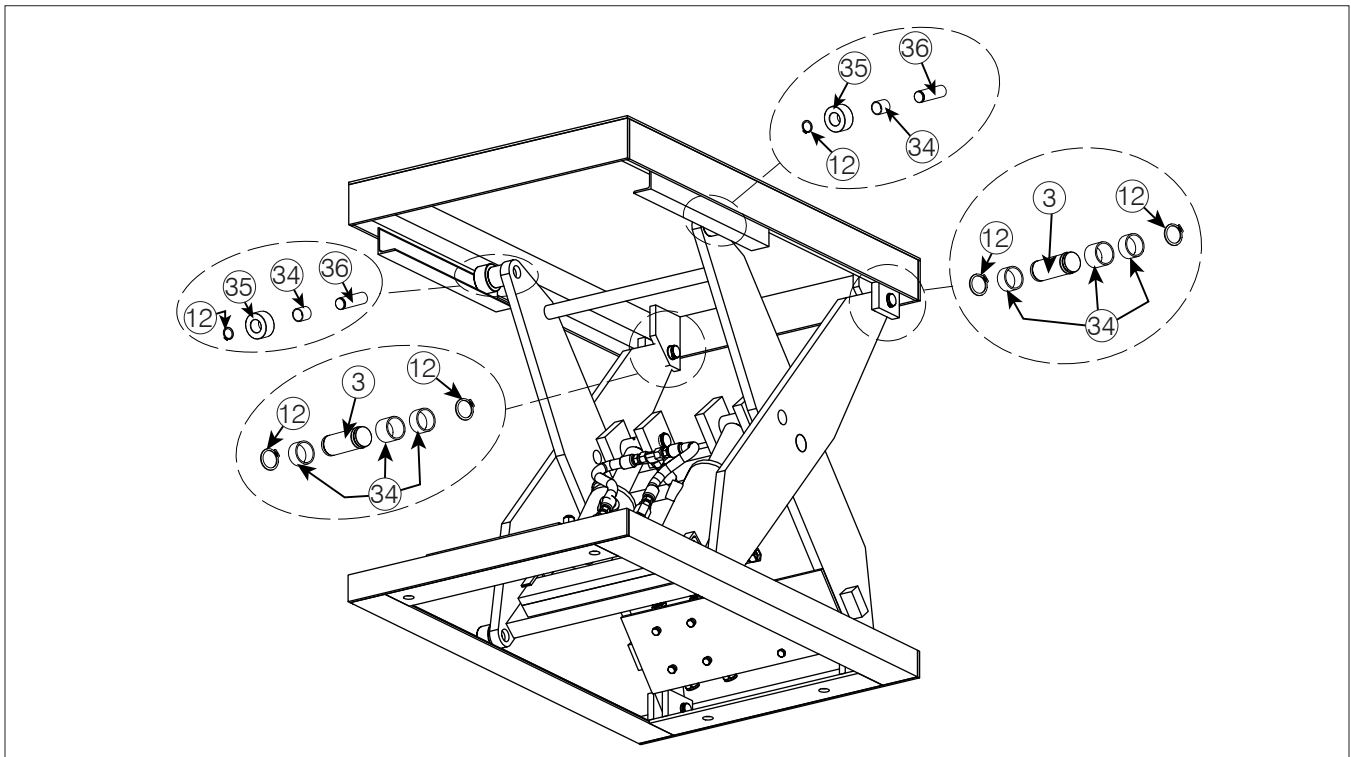
1.7 LIFT TABLE LOWER FRAME AND ROLLING END DETAIL

This diagram displays the rolling wear portions, lift cylinder detail, and leveling components.



1.8 LIFT TABLE UPPER FRAME AND FIXED END DETAIL

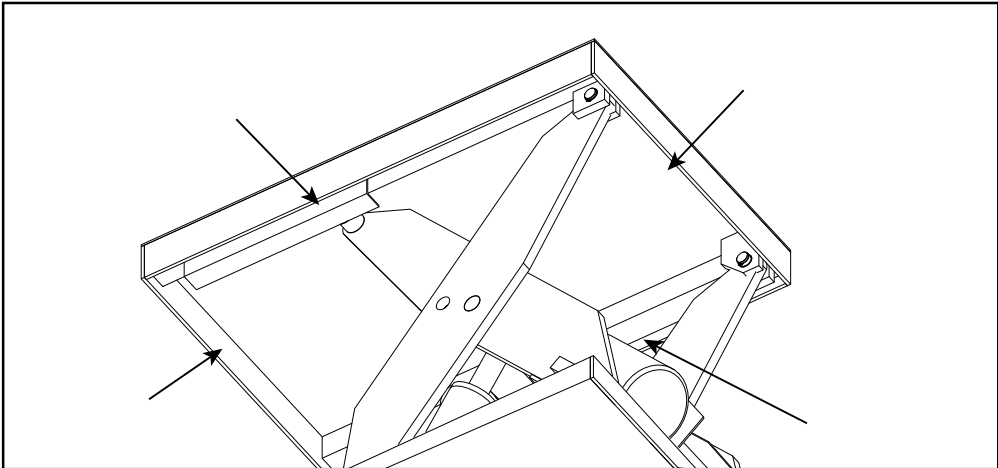
This diagram displays the lift table skeleton and the lower frame components.



1.9 ACCORDION SAFETY SKIRT

This diagram displays the accordion safety skirt hangers (if present) under the deck and where to anchor it on the lower frame.

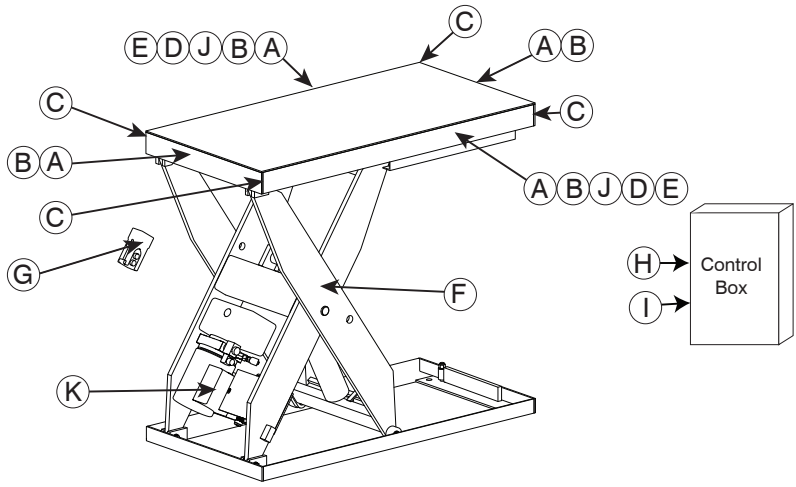
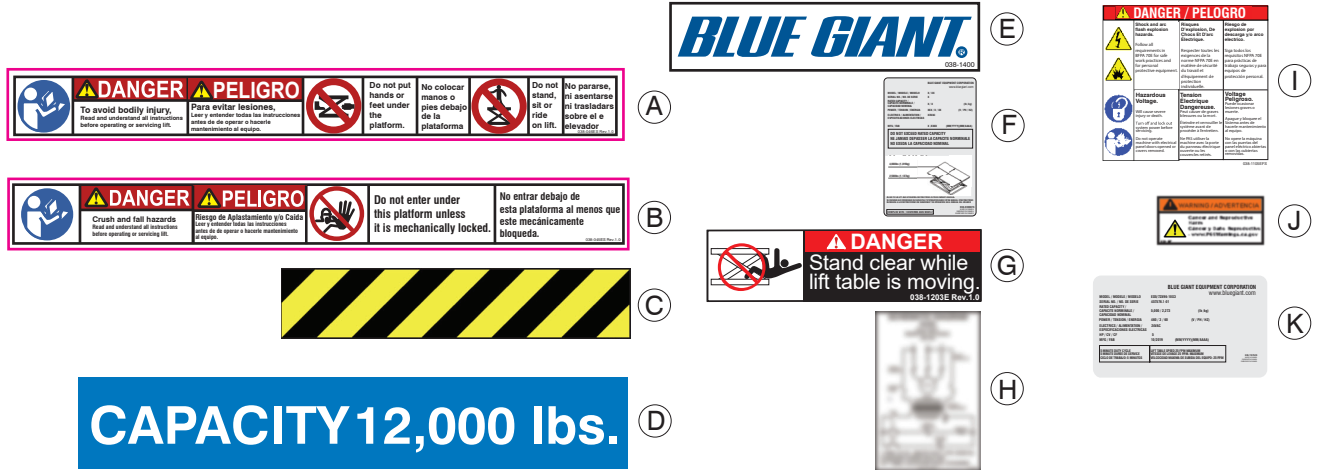
NOTE: Actual product may not appear exactly as shown.



1.10 DECAL IDENTIFICATION AND LOCATION

These labels inform operators and personnel about hazardous areas on and around the lift table.

NOTE: Actual product may not appear exactly as shown.



Call out	Qty	Part No.	Description
A	2 or 4 (varies on table size)	038-045	EF ES Warns personnel to read operating instructions before using the lift table and warn of possible bodily injury
B	2 or 4 (varies on table size)	038-046	EF ES Warns personnel to employ the Maintenance Strut and Service Stand before working on and under the lift table
C	4	038-237	Safety Stripe tape to alert personnel of hazardous areas and edges (i.e. toe guards, edges)
D	2	(varies on model)	Deck Capacity (example only) (Locations may vary)
E	2	038-1400	Blue Giant logo (locations may vary)
F	2	038-1106EFS	Nameplate to identify the lift table, serial number, and load transfer capacities
G	1 or 2	038-1203	E S Warns personnel to stand clear of lift table and the immediate area while it is in operation
H	1	114-308	Wiring diagram for facility hookup (Keep in electrical box) (Sample only shown)
I	1	038-1105EFS	Reminds personnel to lock out the electrical feeds before attempting work on the lift table (on exterior of electrical box)
J	2	038-1097	Proposition 65 Cancer and Reproductive Harm Warning - California only (locations may vary)
K	1	038-1107EFS	Rated deck capacity and electrics (Located on Powerpack)

OPERATION PLACARD

The Operation Placard (Part. No. 038-545E) is to be wall mounted near the lift table controls. A duplicate is provided on the following page.



WARNING

APPLIES TO BLUE GIANT SCISSOR LIFTS

Do not operate this scissor lift without proper training and authorization.

READ AND UNDERSTAND THE FOLLOWING:

*The instructions and warnings on this placard and in the owner's manual.
The warnings on the scissor lift decals.*

Do NOT go under the scissor lift platform to clean or perform routine maintenance unless the Maintenance Strut and Service Stand are safely and securely engaged.

Prior to using the scissor lift:

- *Verify that all safety devices (guard rails, restraint chains, toe guards, and warning bells-if equipped) are in place and functioning properly.*
- *Operate the scissor lift through one complete lift / lower cycle and verify its proper operation. Inspect the scissor lift for signs of structural damage or mechanical malfunction. If damage is observed or the unit fails to operate properly, remove them from service and notify maintenance personnel immediately.*

Do NOT exceed the capacity as stated on the nameplate.

Ensure that the scissor lift serial nameplate is present and legible.

Do NOT leave the control station where it can be accidentally operated or damaged.

Be aware that lift capacity may be reduced when loads are rolled over the platform sides or edges. Refer to the nameplate for reduced capacity under these conditions.

If loads are mobile, secure them in a fixed position before operating the scissor lift.

Lift operator(s) must be present during all steps of operation.

Lift operator(s) must keep an unobstructed view of lift, any operation light/horn/bell, and other operators to ensure safe operation.

Ensure that all personnel near the scissor lift are aware that it is being operated.

Keep objects, control cables, spills, possible trip hazards, and debris away from around or under the scissor lift platform/lip and its travel path.

If the scissor lift is equipped with a hinged bridge(s), the bridge must overlap the trailer bed by a minimum of 4" (102mm) before use. Do not use the bridge if it is supported solely by the lifting chain.

Hinged lips may drop unexpectedly, keep people and objects clear of the area immediately under or near the lip.

If maintenance or service is required:

- *Only authorized service personnel shall provide maintenance / service on the lift.*
- *Follow approved lockout procedures.*
- *Do NOT work on or under the lift without properly engaging the lift's maintenance strut. Blue Giant recommends the use of a secondary means (service stand) of securing the scissor lift while performing repairs under the deck.*
- *The lift shall not be modified or altered without written approval from an authorized Blue Giant representative.*
- *Maintain records of repairs and preventive maintenance reports.*

BLUE GIANT[®]
BLUE GIANT EQUIPMENT CORPORATION

Corporate 410 Admiral Blvd
Mississauga, ON, Canada L5T 2N6
t 905.457.3900 f 905.457.2313

USA 9201 National Turnpike
Louisville, KY 40118
www.bluegiant.com