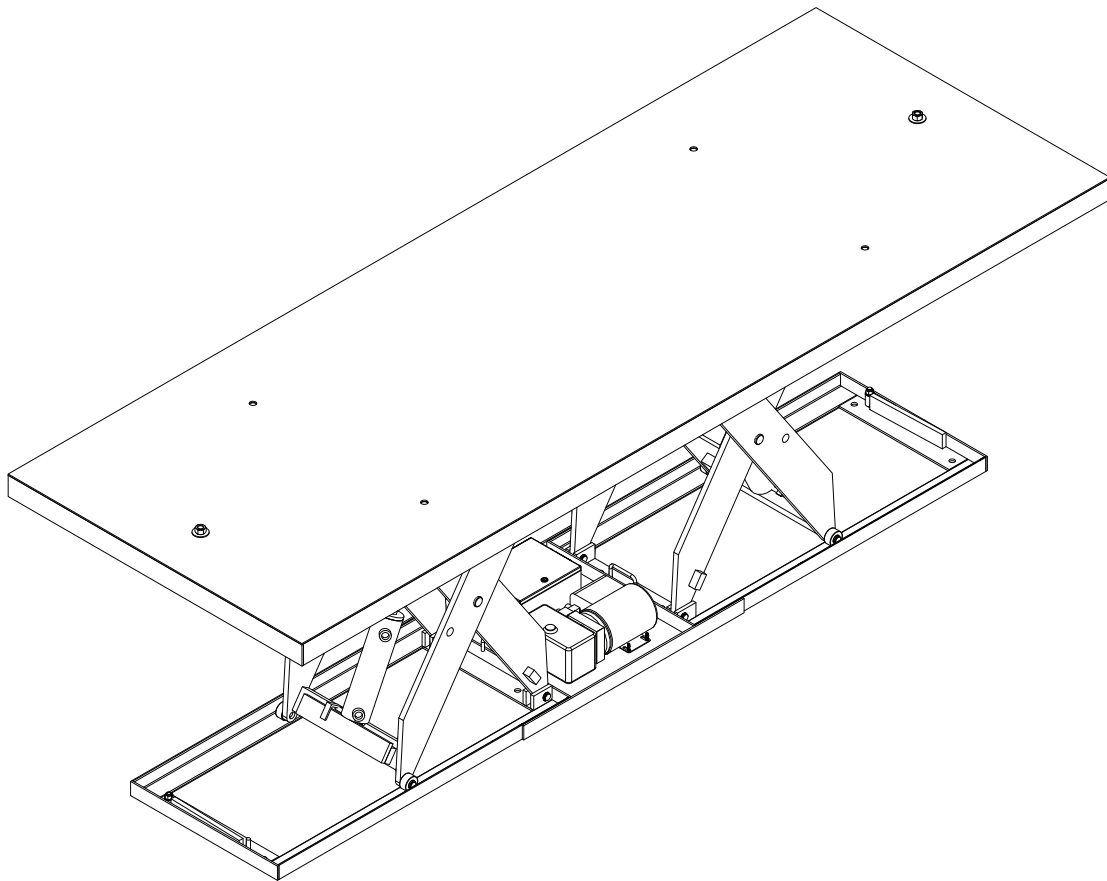


PARTS LIST

IN-PLANT LIFT TABLE LFTDL



ACTUAL PRODUCT MAY NOT APPEAR EXACTLY AS SHOWN

WARNING

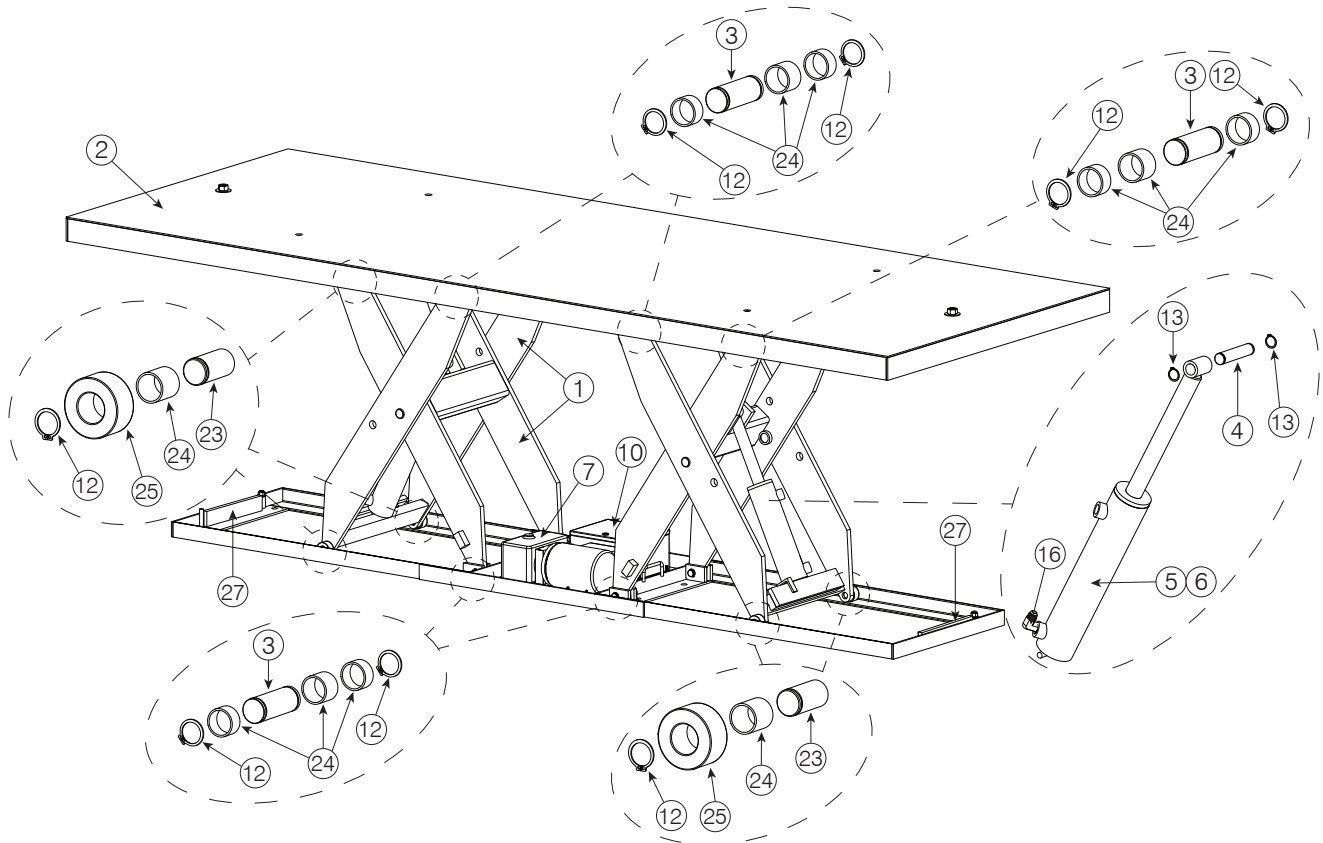
Do not operate or service this product unless you have read and fully understand the entire contents of this manual. Failure to do so may result in bodily injury or death.

BLUE GIANT®

1.0 LIFT TABLE MECHANICAL ASSEMBLY

This diagram shows a detailed view of the Lift Table assembly.

NOTE: Actual product may not appear exactly as shown.



ITEM	QTY	PART NO.	DESCRIPTION
3	2	071-0102	LEG BLOCK PIN, 0.87ODX2-3/8L
4	2	071-0098	CYLINDER PIN, 1 ODX4-3/4L
5	1	Varies on Model	WELDMENT, CYLINDER, 3" DIA, 12" STROKE, SIDE D
6	1	Varies on Model	WELDMENT, CYLINDER, 3" DIA, 12" STROKE, SIDE B
7	1	Varies on Model	POWER PACK, 1HP
8	1	Varies on Model	HOSE, 23 3/4 in LG, #6 HIGH PRESSURE
9	2	Varies on Model	HOSE, 21 1/8 in LG, #6 HIGH PRESSURE
10	1	071-0139	ENCLOSURE BOX, STEEL, 6X6X4 KNOCK OUT

IN-PLANT LFTDL — PARTS LIST

ITEM	QTY	PART NO.	DESCRIPTION
11	1	Varies on Model	PENDANT,2 BUTTON, 251200
12	12	071-0072	RETAINING RING,EXTERNAL,7/8"
13	4	013-034	EXTERNAL RETAINING RING
14	1	071-0065	FITTING,ELBOW,45DEG,6502-06-06
15	6	071-0075	SWIVEL,FJX-06-06
16	2	071-0070	FTNG;ELBOW;90DEG; 3/8JIC
17	4	071-0077	LOCK NUT,NPT,1/2"
18	1	034-551	#6 JIC RUN TEE FITTING
19	2	071-0004	VELOCITY FUSE,1/4MALE NPT X 3/8MALE JIC
20	8	012-238	WASHER,SPACER,1/2X1X5/64,NP
21	8	011-502	NUT,HEX,5/16-18,PREFERRED
22	8	010-037	SCREW,CAP,HEX HD,5/16-18x0.75X0.75
33	4	071-0106	WHEEL PIN,LOWER,7/8ODX1-3/4 L
34	17	071-0019	BUSHING,0.876X1.003X1
35	4	071-0104	STEEL,WHEEL,2"OD,1"HOLE
36	2	071-0103	STEEL,WHEEL SPACER,1 1/2 OD,7/8 ID
37	2	090-835	STEEL,BAR,FLAT,REC,2"X5/8" WIDE

1.1 RECOMMENDED PARTS

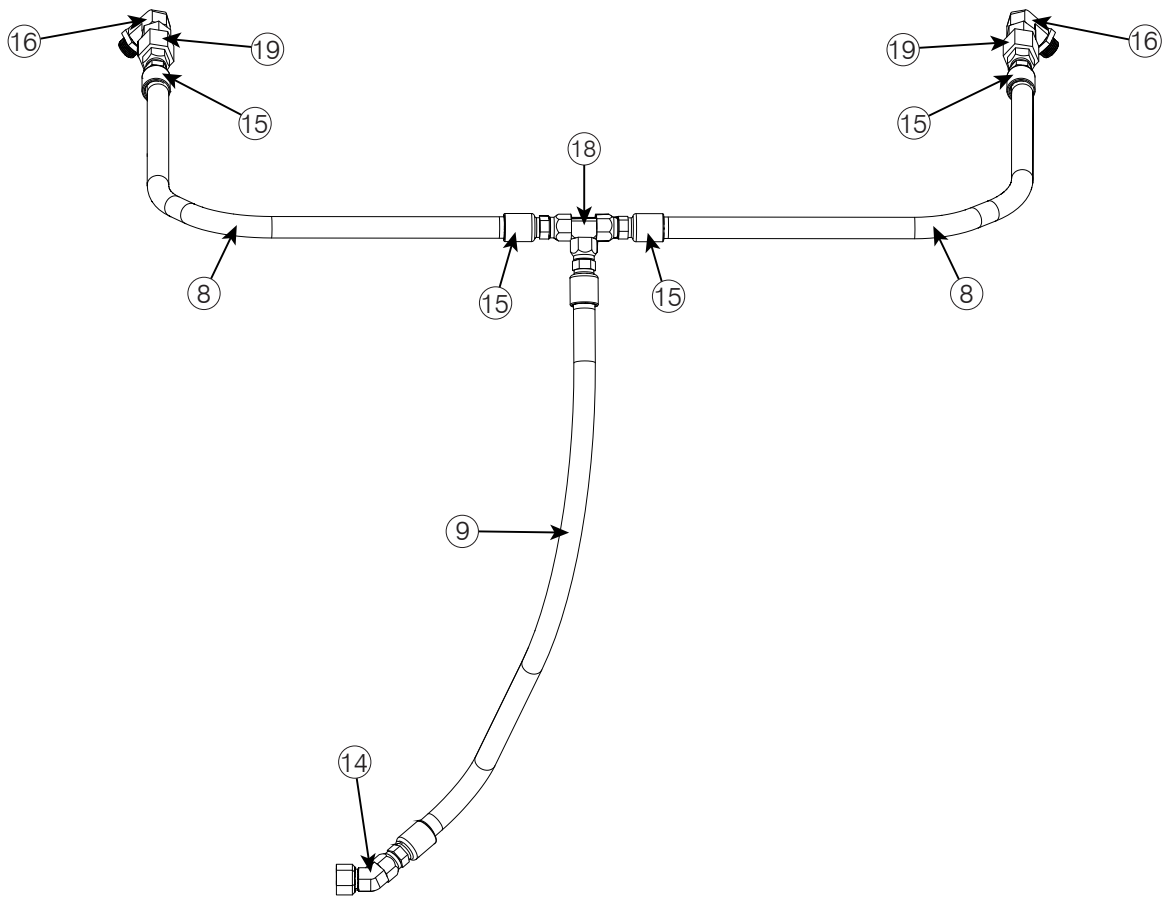
1.2 STANDARD OPERATIONAL COMPONENTS

Lift Table STANDARD OPERATIONAL COMPONENTS			
ITEM	QTY	PART NO.	DESCRIPTION
3	2	071-0102	LEG BLOCK PIN, 0.87ODX2-3/8L
4	2	071-0098	CYLINDER PIN,1 ODX4-3/4L
5	1	Varies on Model	WELDMENT,CYLINDER,3"DIA,12"STROKE,SIDE D
6	1	Varies on Model	WELDMENT,CYLINDER,3"DIA,12"STROKE,SIDE B
7	1	Varies on Model	POWER PACK,1HP
8	1	Varies on Model	HOSE,23 3/4 in LG,#6 HIGH PRESSURE
9	2	Varies on Model	HOSE,21 1/8 in LG,#6 HIGH PRESSURE
10	1	071-0139	ENCLOSURE BOX,STEEL,6X6X4 KNOCK OUT

1.3 OPTIONAL SUPPORT COMPONENTS

Lift Table OPTIONAL COMPONENTS			
ITEM	QTY	PART NO.	DESCRIPTION
11	1	Varies on Model	PENDANT,2 BUTTON, 251200
12	12	071-0072	RETAINING RING,EXTERNAL,7/8"
13	4	013-034	EXTERNAL RETAINING RING
14	1	071-0065	FITTING,ELBOW,45DEG,6502-06-06
15	6	071-0075	SWIVEL,FJX-06-06
16	2	071-0070	FTNG;ELBOW;90DEG; 3/8JIC
17	4	071-0077	LOCK NUT,NPT,1/2"
18	1	034-551	#6 JIC RUN TEE FITTING
19	2	071-0004	VELOCITY FUSE,1/4MALE NPT X 3/8MALE JIC
20	8	012-238	WASHER,SPACER,1/2X1X5/64,NP
21	8	011-502	NUT,HEX,5/16-18,PREFERRED
22	8	010-037	SCREW,CAP,HEX HD,5/16-18x0.75X0.75
33	4	071-0106	WHEEL PIN,LOWER,7/8ODX1-3/4 L
34	17	071-0019	BUSHING,0.876X1.003X1
35	4	071-0104	STEEL,WHEEL,2"OD,1"HOLE
36	2	071-0103	STEEL,WHEEL SPACER,1 1/2 OD,7/8 ID
37	2	090-835	STEEL,BAR,FLAT,REC,2"X5/8" WIDE

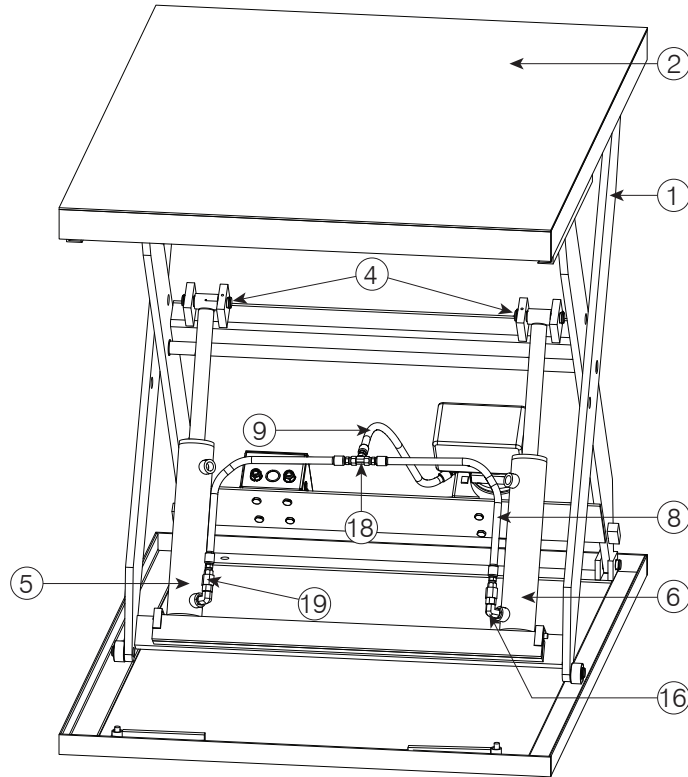
Lift Table HOSES			
ITEM	QTY	PART NO.	DESCRIPTION
8	1	090-838-0236	HOSE,23 3/4 in LG,#6 HIGH PRESSURE
9	2	090-838-0211	HOSE,21 1/8 in LG,#6 HIGH PRESSURE
14	1	071-0065	FITTING,ELBOW,45DEG,6502-06-06
15	6	071-0075	SWIVEL,FJX-06-06
16	2	071-0070	FTNG;ELBOW;90DEG; 3/8JIC
18	1	034-551	#6 JIC RUN TEE FITTING
19	2	071-0004	VELOCITY FUSE,1/4MALE NPT X 3/8MALE JIC



1.4 LIFT TABLE ROLLING END

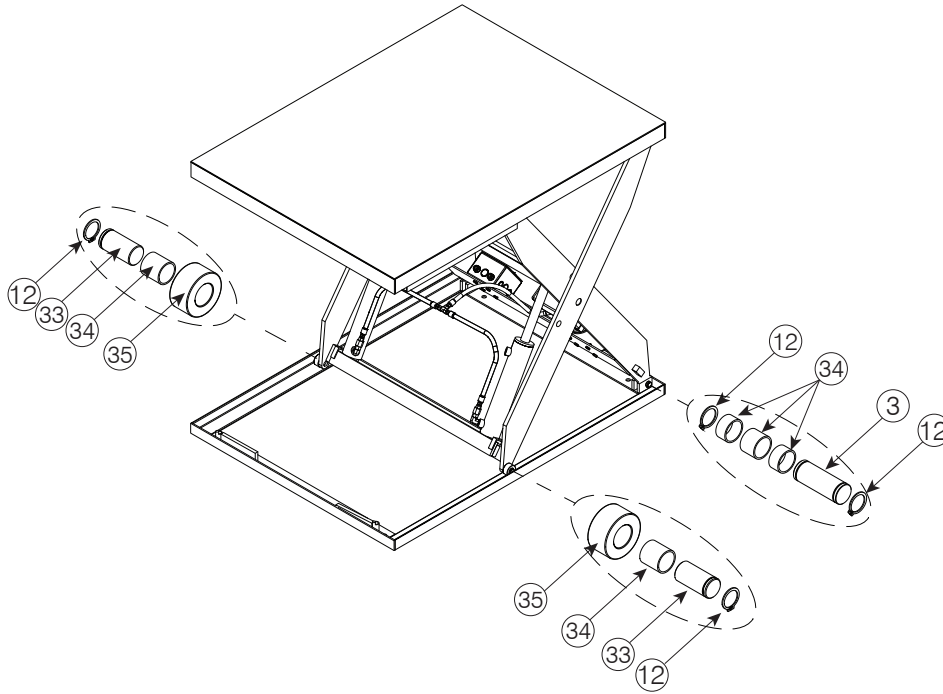
This diagram displays the Lift Table and the field replaceable parts.

NOTE: Actual product may not appear exactly as shown.



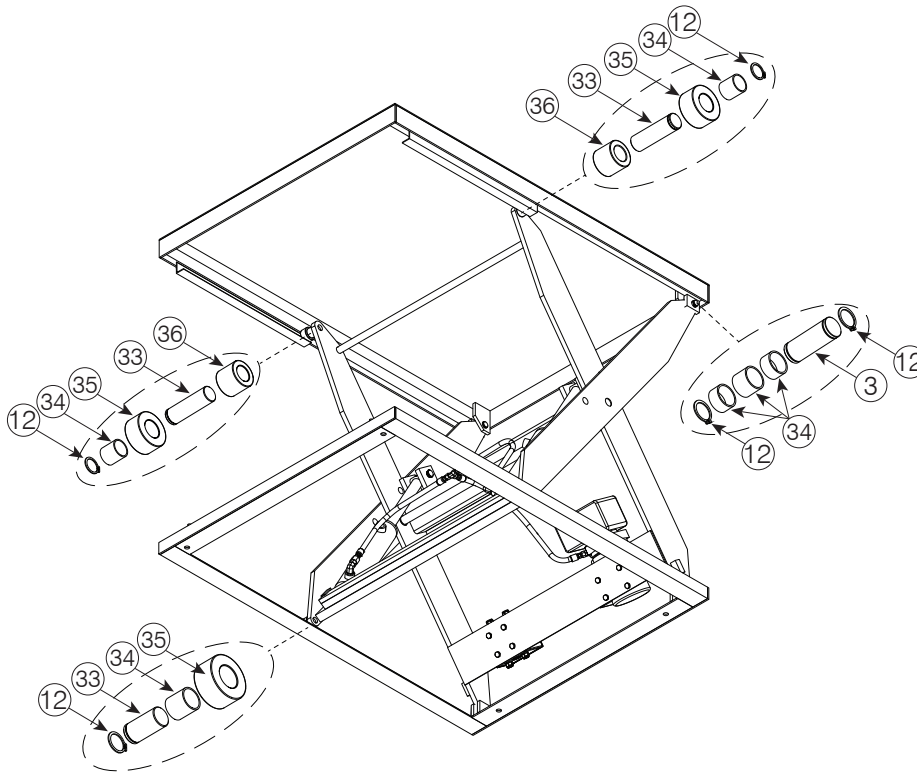
1.5 LIFT TABLE LOWER FRAME AND ROLLING END DETAIL

This diagram displays the Lift Table skeleton and the lower frame components.



1.6 LIFT TABLE UPPER FRAME AND FIXED END DETAIL

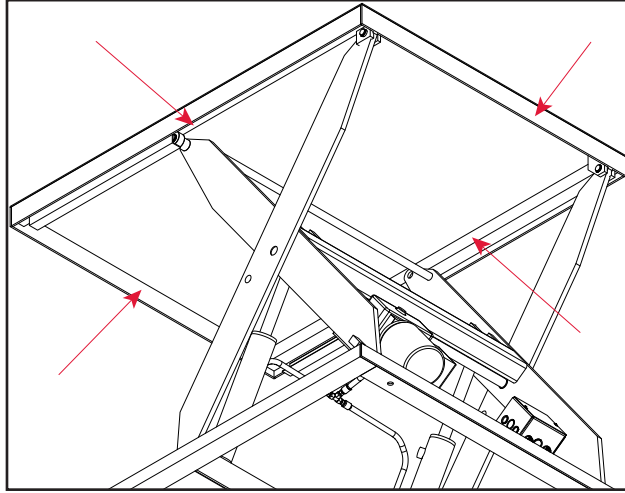
This diagram displays the Lift Table and the lower frame components.



1.7 ACCORDION SAFETY SKIRT

This diagram displays the accordion safety skirt hangers (if present) under the deck and where to anchor it on the lower frame.

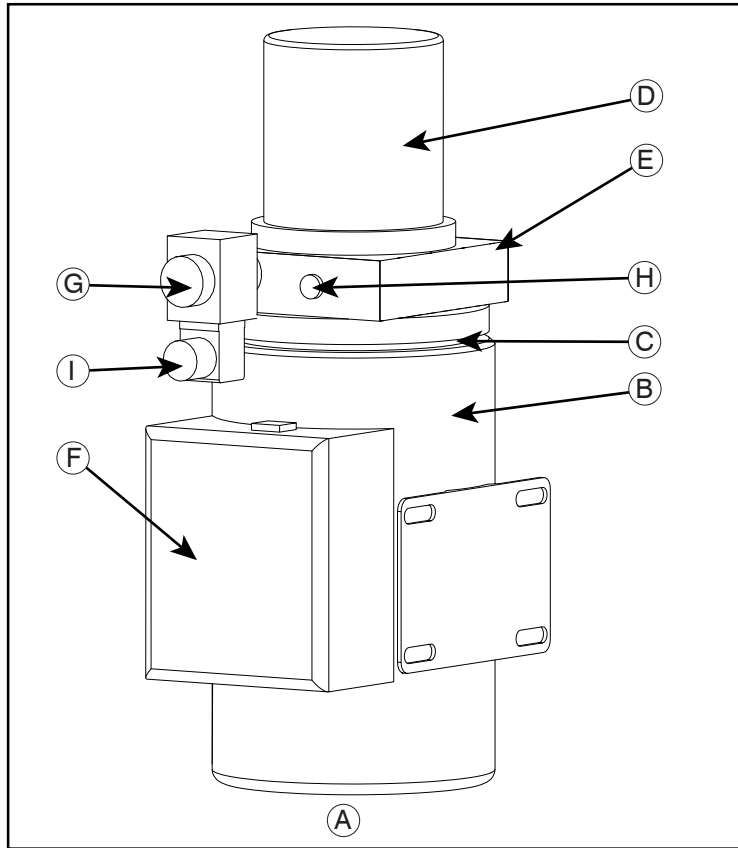
NOTE: Actual product may not appear exactly as shown.



2.0 POWERPACK PART IDENTIFICATION

The assembly and parts of the Powerpack are listed below for easy reference.

NOTE: Refer to the electrical drawings for specific wiring requirements



Lift Table POWERPACK PART NUMBER #071-0126		
ITEM	QTY	DESCRIPTION
A	1	POWERPACK 1HP //60 GPM
B	1	Motor
C	1	Pump (not shown)
D	1	Tank/Reservoir
E	1	Manifold
F	1	Junction Box
G	1	SV1
H	1	Pressure Port
I	1	Electrical Connection

2.1 HYDRAULIC SCHEMATIC

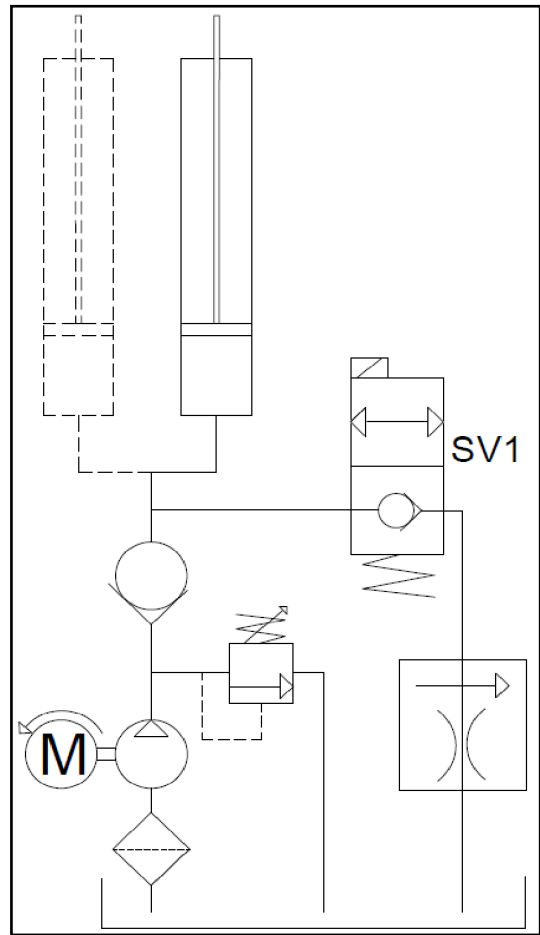
This diagram illustrates a sample (lift power up and gravity power down) Powerpack hydraulic circuit.

NOTE: Always refer to site documentation for installation specifics.

TRUTH TABLE:

ACTION	MOTOR	SV1
DECK UP	X	
DECK DOWN		X

VERTICAL TRAVEL (in)	CAPACITY (LB)	CYL. QTY.
36 & 48	2000	1
	4000	2

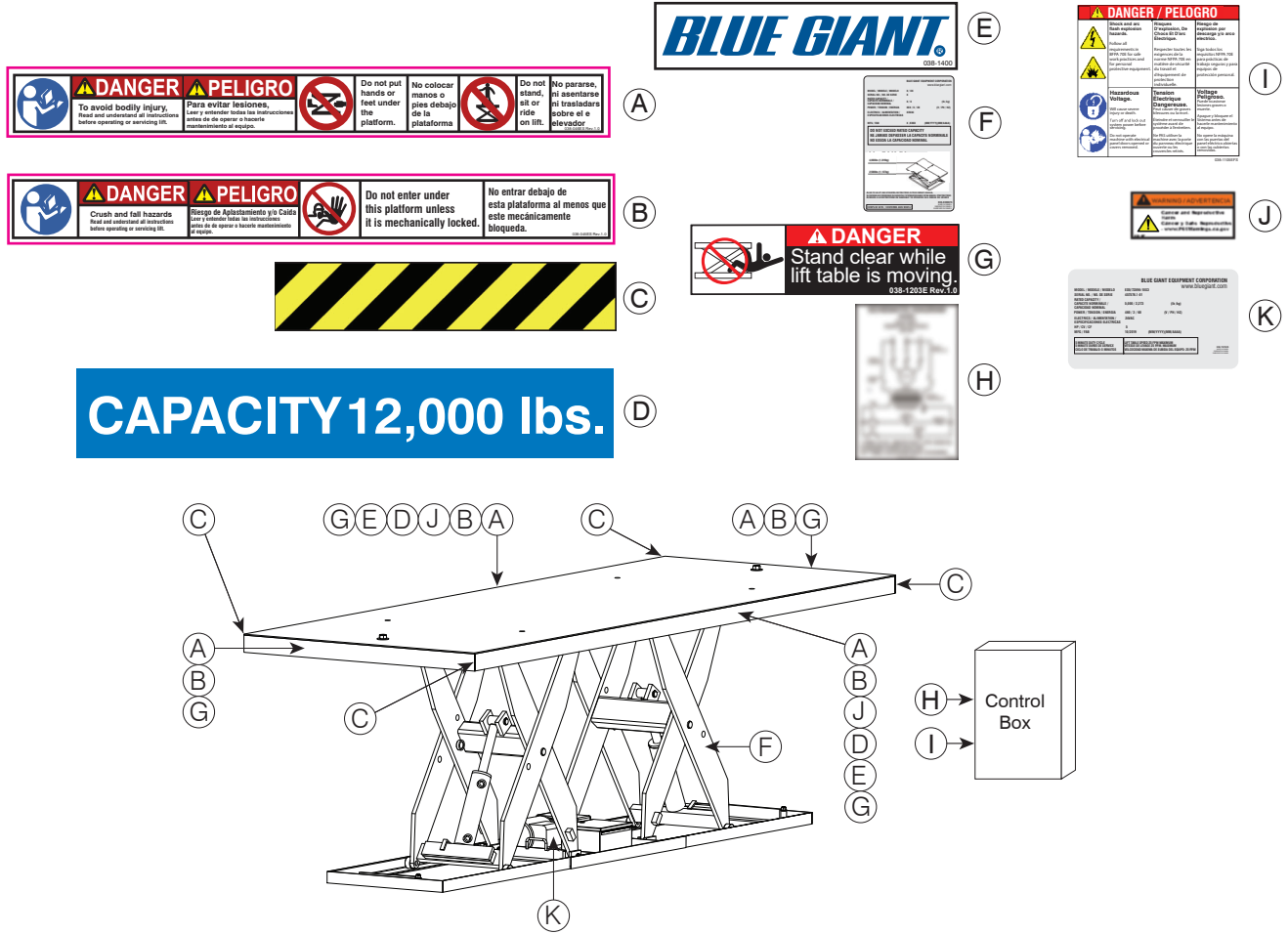


HYDRAULIC SCHEMATIC

3.0 DECAL IDENTIFICATION AND LOCATION

These labels inform operators and personnel about hazardous areas on and around the Lift Table.

NOTE: Actual product may not appear exactly as shown.



Call out	Qty	Part No.	Description
A	2 or 4 (varies on table size)	038-045	EF
			ES
B	2 or 4 (varies on table size)	038-046	EF
			ES
C	4	038-237	Safety Stripe tape to alert personnel of hazardous areas and edges (i.e. toe guards, edges)
D	2	(varies on model)	Deck Capacity (example only) (locations may vary)
E	2	038-1400	Blue Giant logo (locations may vary)
F	2	038-1106EFS	Nameplate to identify the Lift Table, serial number, and load transfer capacities
G	1 or 2	038-1203	E
			S
H	1	114-308	Wiring diagram for facility hookup (Keep in electrical box) (Sample only shown)
I	1	038-1105EFS	Reminds personnel to lock out the electrical feeds before attempting work on the Lift Table (on exterior of electrical box)
J	2	038-1097	Proposition 65 Cancer and Reproductive Harm Warning - California only (locations may vary)
K	1	038-1107EFS	Rated deck capacity and electrics (Located on Powerpack)

OPERATION PLACARD



WARNING

APPLIES TO BLUE GIANT SCISSOR LIFTS

Do not operate this scissor lift without proper training and authorization.

READ AND UNDERSTAND THE FOLLOWING:

The instructions and warnings on this placard and in the owner's manual.

The warnings on the scissor lift decals.

Do NOT go under the scissor lift platform to clean or perform routine maintenance unless the Maintenance Strut and Service Stand are safely and securely engaged.

Prior to using the scissor lift:

- *Verify that all safety devices (guard rails, restraint chains, toe guards, and warning bells-if equipped) are in place and functioning properly.*

- *Operate the scissor lift through one complete lift / lower cycle and verify its proper operation. Inspect the scissor lift for signs of structural damage or mechanical malfunction. If damage is observed or the unit fails to operate properly, remove them from service and notify maintenance personnel immediately.*

Do NOT exceed the capacity as stated on the nameplate.

Ensure that the scissor lift serial nameplate is present and legible.

Do NOT leave the control station where it can be accidentally operated or damaged.

Be aware that lift capacity may be reduced when loads are rolled over the platform sides or edges. Refer to the nameplate for reduced capacity under these conditions.

If loads are mobile, secure them in a fixed position before operating the scissor lift.

Lift operator(s) must be present during all steps of operation.

Lift operator(s) must keep an unobstructed view of lift, any operation light/horn/bell, and other operators to ensure safe operation.

Ensure that all personnel near the scissor lift are aware that it is being operated.

Keep objects, control cables, spills, possible trip hazards, and debris away from around or under the scissor lift platform/lip and its travel path.

If the scissor lift is equipped with a hinged bridge(s), the bridge must overlap the trailer bed by a minimum of 4" (102mm) before use. Do not use the bridge if it is supported solely by the lifting chain.

Hinged lips may drop unexpectedly, keep people and objects clear of the area immediately under or near the lip.

If maintenance or service is required:

- *Only authorized service personnel shall provide maintenance / service on the lift.*

- *Follow approved lockout procedures.*

- *Do NOT work on or under the lift without properly engaging the lift's maintenance strut. Blue Giant recommends the use of a secondary means (service stand) of securing the scissor lift while performing repairs under the deck.*

- *The lift shall not be modified or altered without written approval from an authorized Blue Giant representative.*

- *Maintain records of repairs and preventive maintenance reports.*

BLUE GIANT[®]
BLUE GIANT EQUIPMENT CORPORATION

Corporate 410 Admiral Blvd
Mississauga, ON, Canada L5T 2N6
t 905.457.3900 f 905.457.2313

USA 6350 Burnt Poplar Road
Greensboro, NC 27409
www.bluegiant.com