

OPERATOR'S MANUAL

EPJ-25 ELECTRIC PALLET JACK



ACTUAL PRODUCT MAY NOT APPEAR EXACTLY AS SHOWN



WARNING

Do not operate or service this product unless you have read and fully understand the entire contents of this manual. Failure to do so may result in property damage, bodily injury or death.

BLUE GIANT[®]

ISSUE DATE: DECEMBER 7, 2020 REV. 1.0 (PART # 038-1074E)

TABLE OF CONTENTS

1.0	SAFETY PROCEDURES	3
2.0	EXCLUSION OF LIABILITY	3
3.0	OWNER'S PURCHASE RECORD	4
4.0	WARRANTY	4
5.0	CHECK SHIPMENT BEFORE ASSEMBLY AND/OR USE	5
5.1	LOADING SPECIFICATION	5
5.2	MAXIMUM INCLINES OR DECLINE GRADES	5
5.3	SAFETY WITH TALL LOADS	5
6.0	EPJ-25 HAND PALLET TRUCK SPECIFICATIONS	6
7.0	NAME PLATE AND WARNING DECAL LOCATIONS	7
8.0	LOAD CAPACITY	8
9.0	BEFORE OPERATION	9
10.0	TROUBLESHOOTING GUIDE	10
11.0	INSTRUMENTS AND CONTROLS	11
11.1	OPERATION - DRIVING INSTRUCTIONS	12

DEALER INFORMATION

Name:

Contact:

Telephone:

1.0 SAFETY PROCEDURES

1. Do not operate this truck unless you have been trained and authorized to do so.
2. Do not operate this truck until you have read and understood all of the safety information and instructions contained herein and on the truck.
3. Do not operate this truck until you have checked its condition. Give special attention to wheels, controls and lifting systems, including steering mechanism, guards and safety devices.
4. Report the need for truck repairs to your supervisor immediately and do not operate truck until repairs are made. Neglect may cause a minor repair to become a major service problem and cause the truck to become unsafe.
5. Do not load truck beyond capacity shown on serial name plate on truck.
6. Do not lift with the fork tips or one fork only.
7. This equipment is designed for evenly centered loads with forks completely supporting the load. Off-centering of loads can result in a dangerous operating condition and may cause damage or injury.
8. Always look in direction of travel. Use caution when visibility is obstructed by load.
9. Extreme caution must be used when handling loosely stacked/ packaged loads.
10. Watch swing clearance when turning near walls, racks, pillars or other obstacles.
11. Start, stop, change direction and travel smoothly. Slow down for turns and on uneven or slippery surfaces that cause truck to slide or tip. Be aware that the truck behaves differently without a load than with a load.
12. Observe applicable traffic regulations. Yield right of way to pedestrians.
13. Do not ride on this equipment.
14. Do not carry passengers or lift personnel.
15. Before you leave the truck, fully lower lifting mechanism.

2.0 EXCLUSION OF LIABILITY

The manufacturer assumes no liability for damage or injury to persons or property which has occurred as a result of defects or faults in the hand pallet trucks delivered or due to incorrect use. The manufacturer also assumes no liability for lost profits, operating down times, or similar indirect losses which the buyer has incurred. Damage to third parties, irrespective of its nature, is not subject to compensation.

The operating instructions are not subject to notification of amendment.

The descriptions and illustrations included in our operating instructions and replacement parts list are not binding.

In the interests of further development, we reserve the right to make any changes at any time to the modules, components and accessories which we deem to be expedient, or for technical reasons, while retaining the essential features of the models described here.

3.0 OWNER'S PURCHASE RECORD

OWNER'S PURCHASE RECORD	
Please record information for future inquiries and to validate warranty.	
Dealer:	Date in Service:
	Number of Units:
Owner's Name:	Order Number:
Serial Number:	Year of Construction:

4.0 WARRANTY

To validate warranty on recently purchased equipment, please complete and submit your information with our online Warranty Registration at www.bluegiant.com.

For more information about Blue Giant Warranty Support, please contact your local Blue Giant Equipment dealer, representative or authorized partner near you. You may also visit www.bluegiant.com or phone 1.905.457.3900.

* Note that failure to validate warranty at the time of receipt can seriously affect the outcome of any claim.

5.0 CHECK SHIPMENT BEFORE ASSEMBLY AND/OR USE

The hand pallet truck is to be carefully checked at the manufacturer's plant before shipment. In order to ensure that no damage has occurred during transport, the hand pallet truck should be checked upon receipt for transport damage and to ensure correct operation. Damage due to transport is to be listed on the signed copy on the freight document. The freight forwarder must be notified of any damage within 48 hours. Damaged hand pallet trucks must not be put into use.

5.1 LOADING SPECIFICATION

The hand pallet truck is designed for the horizontal transportation of loads on a level, fixed base. The load must be evenly distributed on pallets or similar receptacles. The ideal loading mode is that the gravity center of heavy goods is at the central position of the fork. The maximum load-carrying capacity is shown on the appropriate designation plate and on the load sticker on the hand pallet truck. When there exists deflective load, the rated carrying capacity shall be reduced. If the load on the forks is one sided, there is a risk of the forks bending or the load slipping off. Supporting or shifting the load with the fork tips is to be avoided in all cases as this results in damage to the appliance. In order to preserve the wheels and chassis the hand pallet truck must not be driven over very uneven ground.

5.2 MAXIMUM INCLINES OR DECLINE GRADES

The hand pallet truck is equipped with a permanently set pressure-limiting valve which permits a maximum load of 5 % of the nominal load. The screw plug on the pressure control valve is secured so as to avoid inappropriate manipulation from the operating personnel. In order to avoid damage to the goods being transported and the means of transport, the load must be supported evenly. If the load is unevenly distributed the pressure limiting valve will not function. When driving on down-grades the load is to be secured to prevent it from slipping or sliding off the hand pallet truck, (e.g. additional operating personnel). In addition to this, only hand pallet trucks with a service and parking brake are to be used on down-grades up to approx 6 %. Journeys on inclines or down-grades of more than 6 % are always to be avoided. Safe transport cannot be guaranteed when the center of gravity of the load has altered.

5.3 SAFETY WITH TALL LOADS

Transporting with tall loads, (e.g. machines) changes the center of gravity of the load so unfavorably that the complete hand pallet truck including the load, goes out of control and may overturn on a curve. Loading, (e.g. onto a truck or mobile loading ramps) should be regarded in particular as likely occasions for accidents. During such activities the hand pallet truck is to be secured with particular care. Conveying persons or using the hand pallet truck as a form of roller skate is not permissible. Foodstuffs are only to be transported in packed form. Direct contact with the hand pallet truck is to be avoided. The accident prevention regulations for industrial trucks and the safety regulations and accident prevention regulations applicable to the user are also to be complied with.

6.0 EPJ-25 HAND PALLET TRUCK SPECIFICATIONS

The following data must always be specified to ensure correct processing of your spare parts order:

- A) Truck type (capacity)
- B) Serial number of the truck
- C) Complete Part Number

ASSEMBLY DRAWINGS:

Handle and Pump Assembly
Frame Assembly

WEIGHT:

160 lbs (72.575 kg)

CAPACITY:

5,500 lbs (2,300 kg)

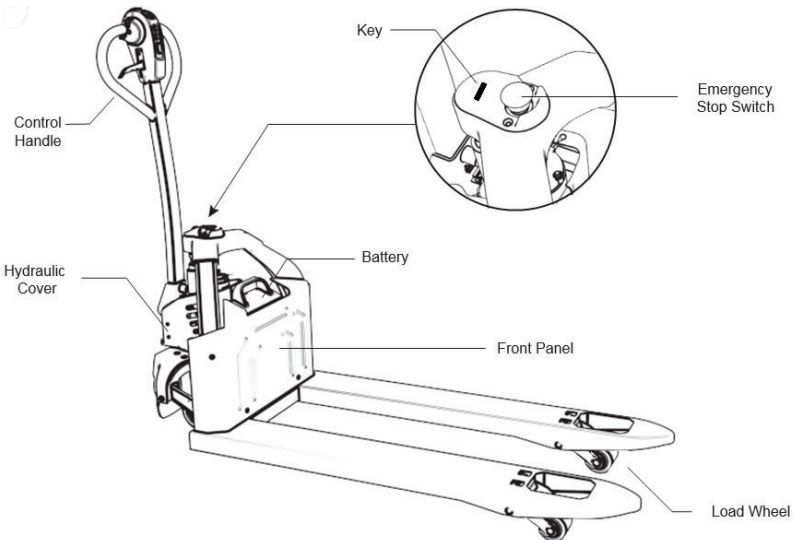
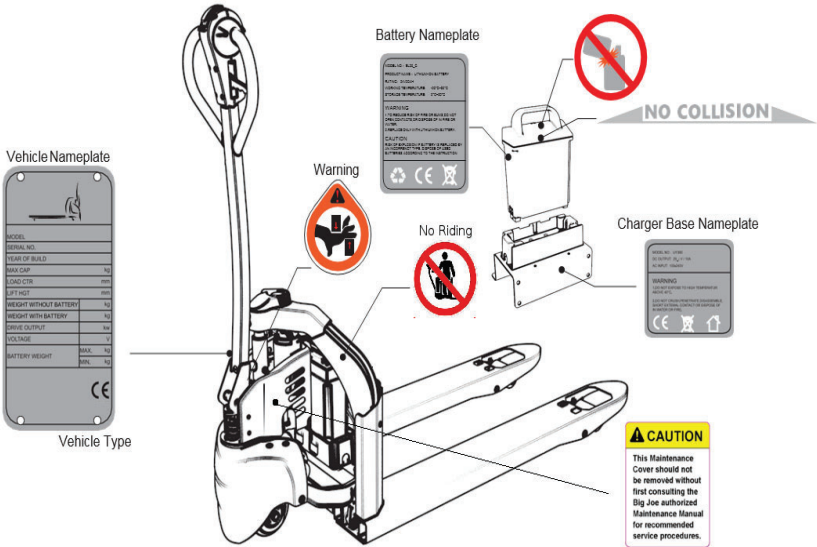
FORK LENGTH:

48" (1,220 mm)

Please fill in Owner's Purchase Record (Section 3.0) with the following details:

- Serial Number(s)
- Dealer Name
- Date in-Service
- Owner's Name
- Order Number
- Year of Construction

7.0 NAME PLATE AND WARNING DECAL LOCATIONS



WARNING

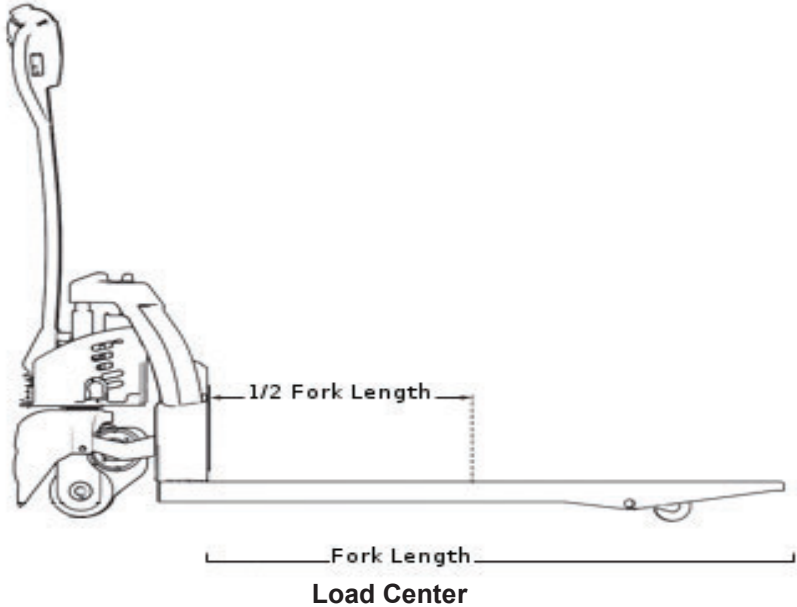
This truck is equipped with a battery. Read and heed the following warning plus any other warnings located near or on the battery.

8.0 LOAD CAPACITY

Do not overload truck. Check name plate for load weight capacity and load center information.

The load capacity depends on the load center. The load maximum capacity listed on the capacity plate assumes a uniform load whose center is at 1/2 the length of the fork and centered between the forks. The maximum load capacity is reduced when the load center exceeds 1/2 the length of the forks or is not centered between the forks. The fork length and wheelbase must be adequate for the skid or bin to be handled.


Note that a truck undergoing speed changes is less stable than a standing truck. If you are not sure that the truck can lift a certain load, consult your supervisor or the designated authority.



9.0 BEFORE OPERATION

The table on page 10 covers important inspection points on trucks which should be checked prior to operation. Depending on use, some trucks may require additional checks.

The illustration below shows a sample format for an Operator Checklist.

 **WARNING**

Periodic maintenance of this truck by a qualified service technician is required.

A qualified service technician should check the truck monthly for proper lubrication, proper fluid levels, brake maintenance, motor maintenance and other areas specified in the parts and service manual maintenance section.

If the truck is found to be unsafe and in need of repair, or contributes to an unsafe condition, report it immediately to the designated authority. Do not operate it until it has been restored to a safe operating condition. Do not make any unauthorized repairs or adjustments. All service must be performed by a qualified service technician.

BLUE GIANT®

Stacker
Daily Operator Check List

DATE: _____ OPERATOR: _____

VEHICLE NUMBER: _____ MODEL NUMBER: _____

DEPARTMENT: _____ SHIFT: _____

HOURLY METER READING - DRIVE: _____ HOIST: _____

CHECK	O.K. ✓	NEED MAINTENANCE
Tires		
Load Wheels		
Horn		
Lift / Lower Control		
Attachment Operation		
Forward and Reverse Controls		
Steering		
Electrical Brakes		
Hydraulic Leaks, Cylinders, Valves, Hoses, etc.		

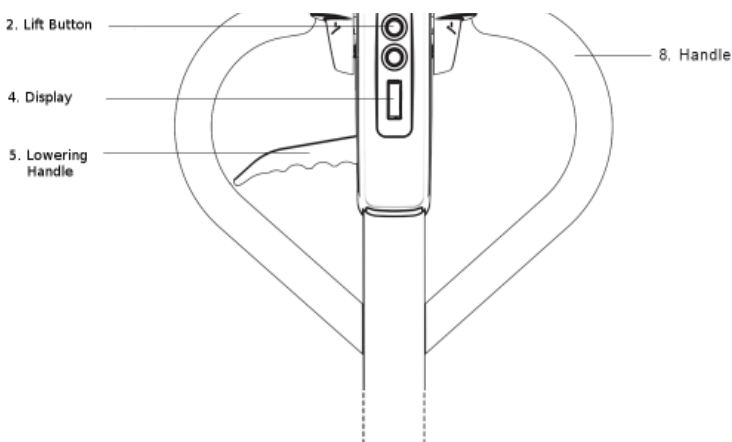
July 11, 2017

10.0 TROUBLESHOOTING GUIDE

CONDITION	ACTION
Transmission and hydraulic systems	Check for signs of fluid leakage and/or abnormal noise.
Forks and frame	Check for cracks and damage.
Guards and load backrest	Check that safety guards are properly secured and not damaged.
Safety signs	Check that warning labels, nameplate, etc., are in good condition and legible.
Horn	Check that horn sounds when operated.
Steering	Check binding or looseness in steering arm when steering.
Tiller switch/Parking brake	Check that steering arm raises to upright position when released and brake applies.
Brakes	Check that brakes actuate when steering arm is raised to upright position, and when lowered to horizontal position.
Travel controls	Check that speed controls on control handle operate in all speed ranges in forward and reverse and that belly button switch functions.
Wheels	Check drive wheel for cracks or damage. Move truck to check load wheels for freedom of rotation.
Hydraulic controls	Check operation of lift and lower to their maximum positions. Check the oil levels.
Electrical	Check that there is no damage to the cables on the truck and that the horn and lift buttons work.
Battery disconnect	Check that battery can be disconnected and reconnected. Check for connector damage.

11.0 INSTRUMENTS AND CONTROLS

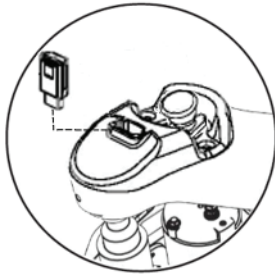
The steering arm and control handle provide controls for steering, forward and reverse speed control, braking, raising and lowering the forks, and horn. Control handles on all models have a “belly-button” reversing switch which reverses the direction of the truck upon contact with the operator.



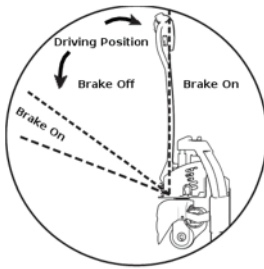
CONTROL HANDLE

On the EPJ-25 pushing the red disconnect plunger removes all power from the truck circuits in the event of an emergency.

11.1 OPERATION - DRIVING INSTRUCTIONS



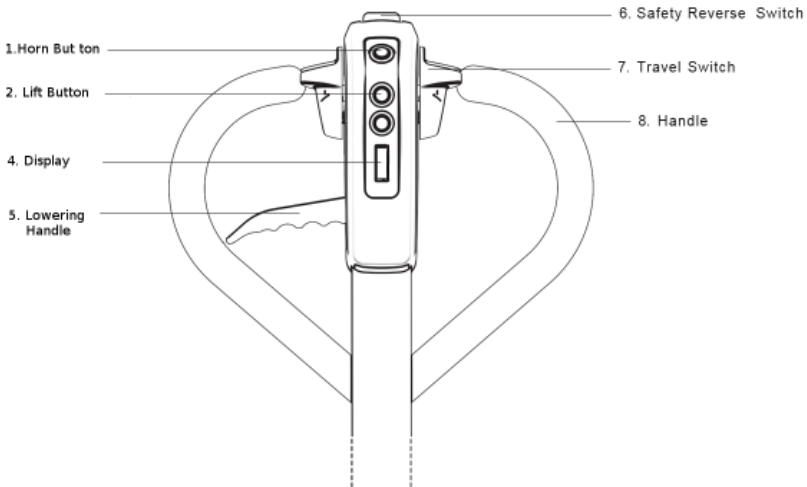
1. Place the key in the key hole to turn on the power.



2. Tilt the operating lever to the driving position.



3. Turn the travel switch to move the vehicle forward or backward.



Control Handle

All directional and speed controls are located on the control handle. Forward and reverse are controlled by rotating the speed control lever as shown. The lever is spring loaded to return to neutral when released. Further rotation in either direction will progress the truck from slow to maximum travel speed. To change directions or to stop the truck, rotate the speed control lever in the opposite direction. The truck will come to a stop and then, unless the controls are returned to the center neutral position, accelerate in the opposite direction.

Steering

Moving the control handle (which connects to the steering arm) right or left will turn the truck right or left. When maneuvering around corners, make square turns and be sure there is adequate clearance.

Stopping

Stop the truck as gradually as possible. Unnecessary rapid stopping could be hazardous. Load could become unstable.

To stop the truck's movement (forward or reverse), raise the control handle to the up position or push the control handle all the way down. In both positions, the brake will apply. To release the brake, just move the control handle to the operating position.

NOTE: The steering arm gas spring automatically raises the steering arm to the upright position when the steering arm is released.

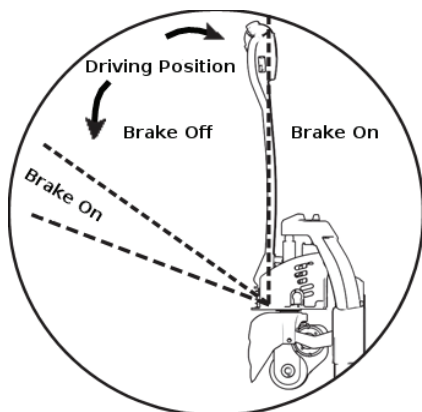
CAUTION

If the control handle does not raise immediately to the vertical position when released, the truck should be placed "OUT OF SERVICE" until it can be inspected by a qualified service technician.

Parking

When parking the truck, do not obstruct traffic lanes or aisles.

1. Park the truck in its designated parking area.
2. Raise the steering arm until vertical to apply the parking brake.
3. Fully lower forks.
4. Remove the key from the keyhole.
5. On the EPJ-25 push the red disconnect plunger to remove all power from the truck circuits.



Steering Arm Braking Positions

Load Handling

Handle only loads arranged for stability and always use caution. Raise and lower the load smoothly to prevent the load from falling.



WARNING

Always be sure the load and load center are within the capacity of the truck. If in doubt check the nameplate.

1. Approach the load slowly.
2. Move the truck slowly into position so that the forks are within pallet or skid, and the load is centered over the forks and as far back as possible.
3. Push the button to raise the forks and lift the load.
4. Lead the truck by the control handle with the load trailing except when in confined areas. Ramps should be traveled with operator uphill of truck when empty, or operator downhill of truck with load on forks standing off to side of truck.
5. Always look in the direction of travel. Move slowly and check clearances when approaching obstructions.
6. Do not make sudden starts and stops. Operate truck smoothly and gradually.
7. Travel slowly and squarely around corners. Remember that the trailing load wheels do not follow the turn path of the drive wheel. Instead they tend to cut the corner.
8. Line up the truck with the unloading area.
9. Stop the truck and check the load alignment with surrounding objects.
10. Be careful not to damage or move adjacent loads and objects.
11. Lower the forks by pulling the lowering lever until the load is resting on its own.
12. Move the truck back until the forks are clear of the pallet.

Moving a Disabled Truck

Do not attempt to move a disabled truck; notify your supervisor or proper authority.

Battery Charging

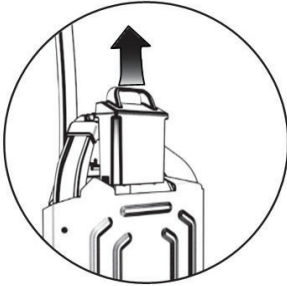
When 1 Green + 1 Red LEDs are lit up charging is in progress. When the 2 Red LEDs are lit up charging is complete.

The figure below shows the top view of the charger base contact pins, make sure you plug in the battery accordingly. If the battery is not fully charged after more than 5 hours contact your local dealer.

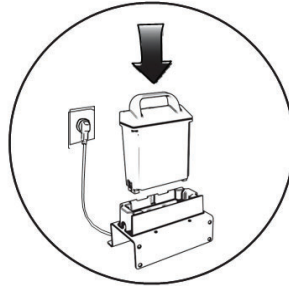


WARNING

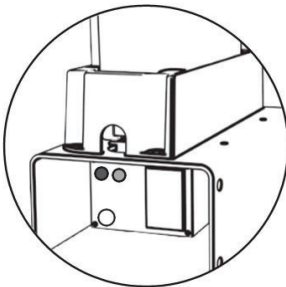
Before removing the battery make sure that the truck is completely powered down.



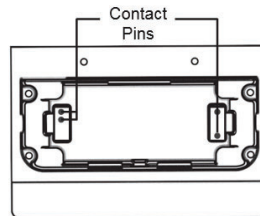
1. Lift the battery out of the vehicle.



2. Insert the battery into the charging base



3. The charge indicator lights up.

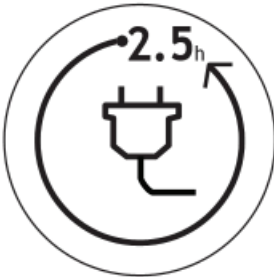


Charger Base

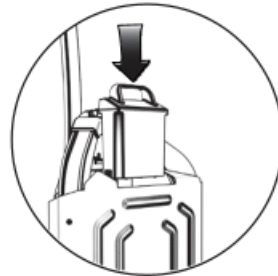


WARNING

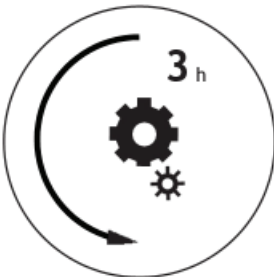
Before installing the battery make sure that the truck key is not on.



The battery is fully charged after 2.5 hours of charging at 100-240V AC.



Insert the battery into the battery compartment of the vehicle.



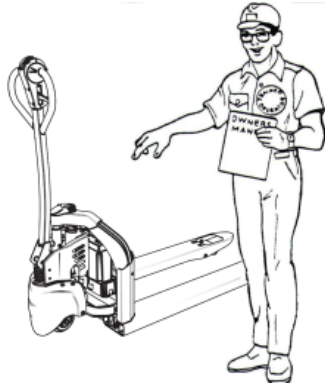
The battery can be operated continuously for 3 hours in a fully charged state.

When plugging in the battery on the truck make sure that the contact pins on the battery match those on the truck.

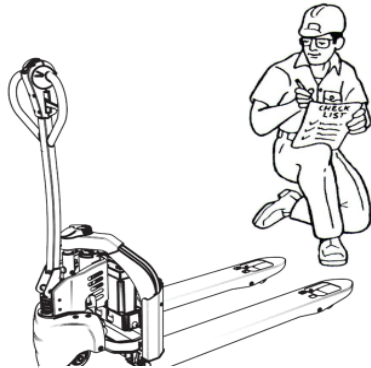
With a lithium battery it is possible to have some attention when used in a low temperature environment. The operating temperature for the lithium battery is between 14°F - 113°F.

The following operating instructions appear on the truck warning decal, which is located near the steering arm.

Do not operate this truck unless you have been trained and authorized to do so, and have read and understand all warnings and instructions contained in this operator's manual and on this truck.



Do not operate this truck until you have checked its condition. Give special attention to wheels, horn, battery, controller, lift systems, brakes, steering mechanism, guards and safety devices. If you have any questions, notify your supervisor or proper authority.



Walkie Pallet Trucks: Operate truck only from walking position.



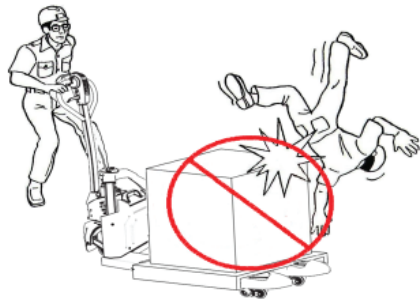
Wear foot protection and keep feet clear of truck.



Do not carry passengers.



Observe applicable traffic regulations. Yield right-of-way to pedestrians. Slow down and sound horn at cross aisles and wherever vision is obstructed.



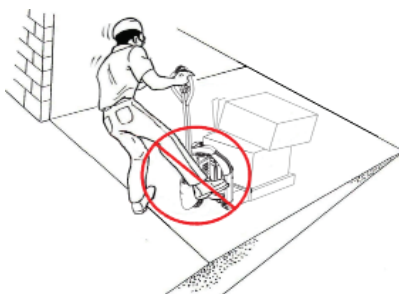
Start, stop, travel, steer and brake smoothly. Slow down for turns and on uneven or slippery surfaces that could cause truck to slide or overturn. Use special care when traveling without load as the risk of overturn may be greater.



Always look in direction of travel. Keep a clear view, and when load interferes with visibility, travel with load or lifting mechanism trailing except when climbing ramps.



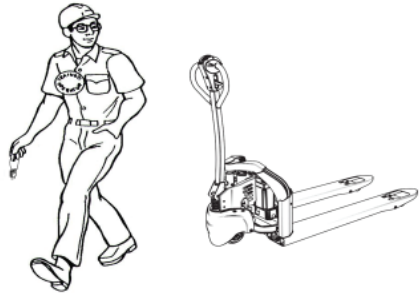
Use special care when operating on ramps; travel slowly, and do not angle or turn. Travel with lifting mechanism downhill.



Do not handle loads which are higher than load backrest or load backrest extension unless load is secured so that no part of it could fall backward.



When leaving truck neutralize travel control. Fully lower lifting mechanism and set brake. When leaving truck unattended also shut off power.



When leaving the truck for an extended period of time remove the battery.



NOTES

NOTES

NOTES

BLUE GIANT[®]
BLUE GIANT EQUIPMENT CORPORATION

Corporate 410 Admiral Blvd
Mississauga, ON, Canada L5T 2N6
t 905.457.3900 f 905.457.2313

USA 6350 Burnt Poplar Road
Greensboro, NC 27409
www.bluegiant.com