

OPERATOR'S MANUAL

EPS-22 POWERED STRADDLE TRUCK



WARNING

Do not operate or service this product unless you have read and fully understand the entire contents of this manual. Failure to do so may result in property damage, bodily injury or death.

BLUE GIANT®

ISSUE DATE: APRIL 3, 2014 REV.0 (PART # 038-925EO)



WARNING

DO NOT OPERATE THIS TRUCK UNLESS YOU HAVE BEEN TRAINED AND AUTHORIZED TO DO SO, AND HAVE READ ALL WARNINGS AND INSTRUCTIONS IN OPERATORS MANUAL AND ON THIS TRUCK

DO NOT OPERATE THIS TRUCK UNTIL YOU HAVE CHECKED ITS CONDITION. GIVE SPECIAL ATTENTION TO WHEELS, HORN, LIGHTS, BATTERY, CONTROLLER, LIFT SYSTEM (INCLUDING FORKS OR ATTACHMENTS, CHAINS, CABLES AND LIMIT SWITCHES), BRAKES, STEERING MECHANISM, GUARDS AND SAFETY DEVICES.

OPERATE TRUCK ONLY FROM OPERATING POSITION. NEVER PLACE ANY PART OF YOUR BODY INTO THE MAST STRUCTURE OR BETWEEN THE MAST AND THE TRUCK. DO NOT CARRY PASSENGERS. KEEP FEET CLEAR OF TRUCK.

OBSERVE APPLICABLE TRAFFIC REGULATIONS. YIELD RIGHT OF WAY TO PEDESTRIANS. SLOW DOWN AND SOUND HORN AT CROSS AISLES AND WHEREVER VISION IS OBSTRUCTED.

START, STOP, TRAVEL, STEER AND BRAKE SMOOTHLY. SLOW DOWN FOR TURNS AND ON UNEVEN OR SLIPPERY SURFACES THAT COULD CAUSE TRUCK TO SLIDE OR OVERTURN. USE SPECIAL CARE WHEN TRAVELING WITHOUT LOAD AS THE RISK OF VERTURN MAY BE GREATER

TRAVEL WITH LIFTING MECHANISM AS LOW AS POSSIBLE. ALWAYS LOOK IN DIRECTION OF TRAVEL. KEEP A CLEAR VIEW, AND WHEN LOAD INTERFERES WITH VISIBILITY, TRAVEL WITH LOAD OR LIFTING MECHANISM TRAILING.

USE SPECIAL CARE WHEN OPERATING ON RAMPS - TRAVEL SLOWLY, AND DO NOT ANGLE OR TURN. TRAVEL WITH LIFTING MECHANISM DOWNHILL.

DO NOT OVERLOAD TRUCK. CHECK CAPACITY PLATE FOR LOAD WEIGHT AND LOAD CENTER INFORMATION

WHEN USING FORKS, SPACE FORKS AS FAR APART AS LOAD WILL PERMIT. BEFORE LIFTING, BE SURE LOAD IS CENTERED, FORKS ARE COMPLETELY UNDER LOAD, AND LOAD IS AS FAR BACK AS POSSIBLE AGAINST LOAD BACKREST.

DO NOT HANDLE UNSTABLE OR LOOSELY STACKED LOADS. USE SPECIAL CARE WHEN HANDLING LONG, HIGH OR WIDE LOAD, TO AVOID LOSING THE LOAD, STRIKING BYSTANDERS, OR TIPPING THE TRUCK.

DO NOT HANDLE LOADS WHICH ARE HIGHER THAN THE LOAD BACKREST OR LOAD BACKREST EXTENSION UNLESS LOAD IS SECURED SO THAT NO PART OF IT COULD FALL BACKWARD.

ELEVATE FORKS OR OTHER LIFTING MECHANISM ONLY TO PICK UP OR STACK A LOAD. WATCH OUT FOR OBSTRUCTIONS, ESPECIALLY OVERHEAD.

DO NOT ALLOW ANYONE TO STAND OR PASS UNDER LOAD OR LIFTING MECHANISM.

WHEN LEAVING TRUCK, NEUTRALIZE TRAVEL CONTROL FULLY LOWER LIFTING MECHANISM AND SET BRAKE WHEN LEAVING TRUCK UNATTENDED. ALSO SHUT OFF POWER.

FOREWORD

As a lift truck operator, you are responsible for a machine that is useful, powerful, and can be hazardous if not operated as described. Your Big Lift LLC truck may weigh more than some cars, depending on the model. Observing and practicing the safety warnings in this manual cannot be overemphasized. Just knowing the warnings, however, is no substitute for **common sense**. Focusing on the task at hand, in almost all cases, prevent accidents. Think of the truck as your own. In this way you will learn its capabilities and limitations.

This manual is intended to remain with the truck at all times as a handy

reference guide to operation. Detailed maintenance procedures are found in the parts and service manual for the specific truck model, and are to be performed only by a qualified technician. For further information on obtaining a complete parts and service manual, see [page 22](#) of this manual.

The operator who knows his truck will learn to spot problems as they develop. This is accomplished by performing the Daily Checks and reporting any problems to the designated authority.

TABLE OF CONTENTS

SAFETY SYMBOLS	2
GENERAL DESCRIPTION	2
NAME PLATE AND WARNING DECAL	2
LOAD CAPACITY	5
BEFORE OPERATION	6
INSTRUMENTS AND CONTROLS	8
OPERATION	9
Forward and Reverse Travel and Speed Control	9
Steering	9
Stopping	10
Parking	11
Battery Charging	11
Load Handling	11
Moving a Disabled Truck	12
NOTICE - OBTAINING A PARTS AND SERVICE MANUAL	22

SAFETY SYMBOLS

WARNING and **CAUTIONS** are both signal words intended to alert the viewer to the existence and relative degree of a hazard. They are both preceded by a safety alert symbol consisting of an exclamation mark enclosed by a triangle.



A **Warning** indicates a hazard which could result in injury or death if proper precautions are not taken.

A **Caution** indicates a reminder of routine safety practices.

A prohibition slash (circle with diagonal slash through it) indicates a procedure or action that should **not** be performed under any circumstances, as both personal injury and/or damage to equipment will result.



GENERAL DESCRIPTION

The Big Lift LLC Straddle trucks utilize the straddle leg configuration, which normally straddles the load.

Control for steering, braking, forward and reverse travel, horn and speed control are all located on the control handle. All trucks feature an auto-

matic high speed cut-off circuit which locks out high speed when the forks are elevated.

Trucks in this series may vary in load capacity, battery arrangement, instrumentation and lift/lower controls, depending on model and options.

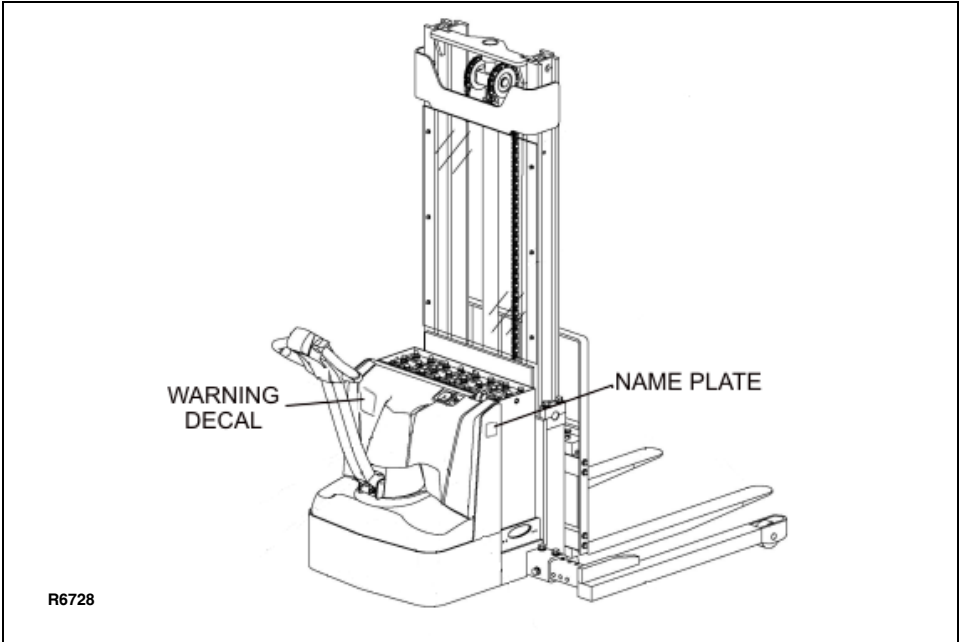
NAME PLATE AND WARNING DECAL

Warning decal locations may vary between models, but they are always near the steering arm within sight of the operator. The name plate is mounted on the right side of the truck frame. See illustration on next page

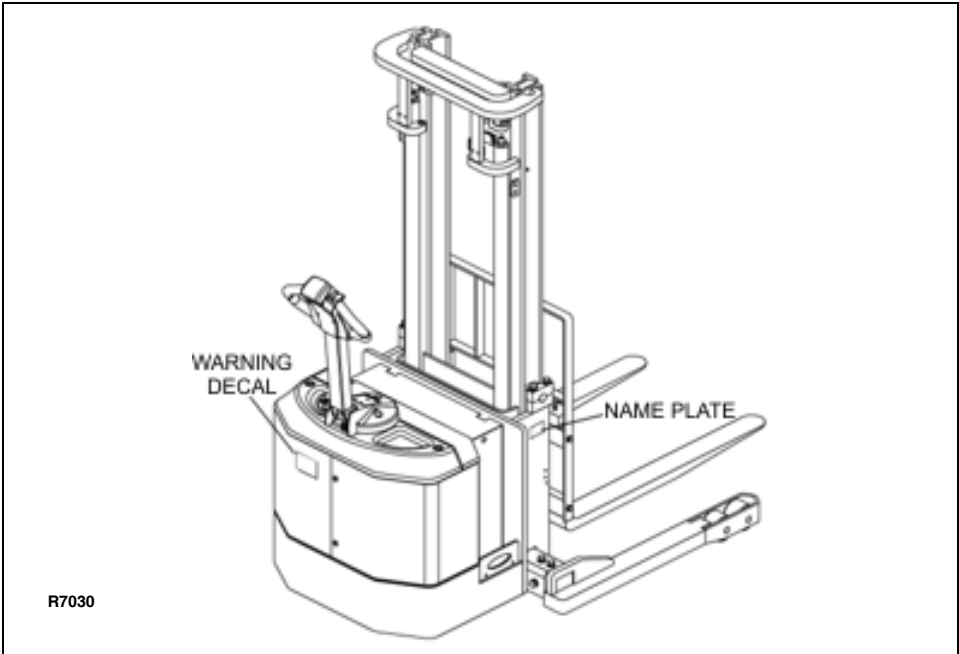
If the name plate or warning decal are lost or damaged they should be replaced immediately. Have your supervisor or the designated authority contact Big Lift LLC Authorized Dealer for replacement.

The name plate shows the model number, serial number, and truck type. Battery type, with voltage and minimum weight, is shown along with information on the load capacity and load center.

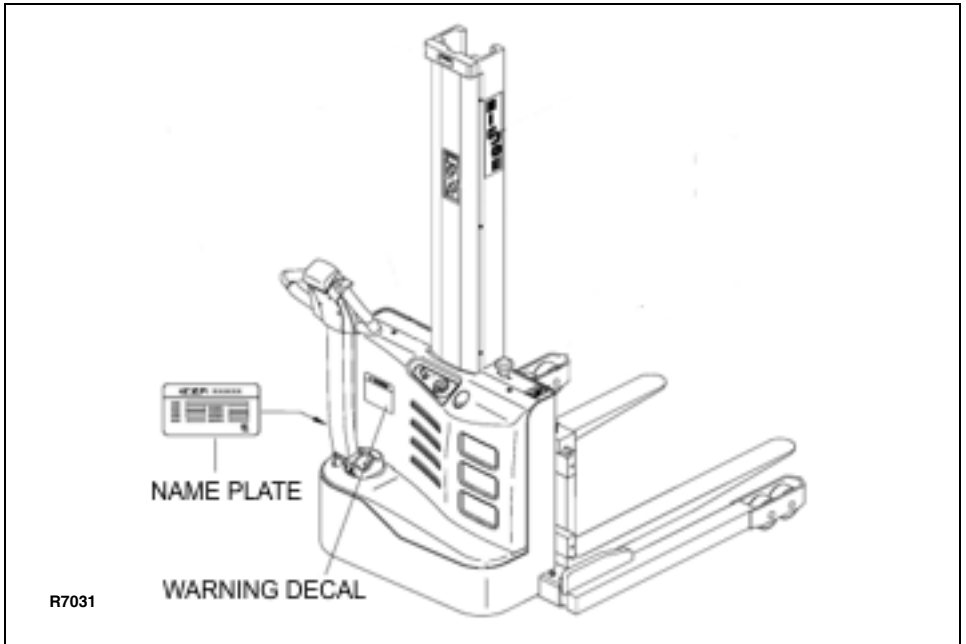
The warning decal contains warnings which also appear, with illustrations, in the Operating Precautions section of this manual.



PDS 20/25 Name Plate and Warning Decal Locations - Typical



PDS 30/40 Name Plate and Warning Decal Locations - Typical



S22 Name Plate and Warning Decal Locations - Typical



WARNING:

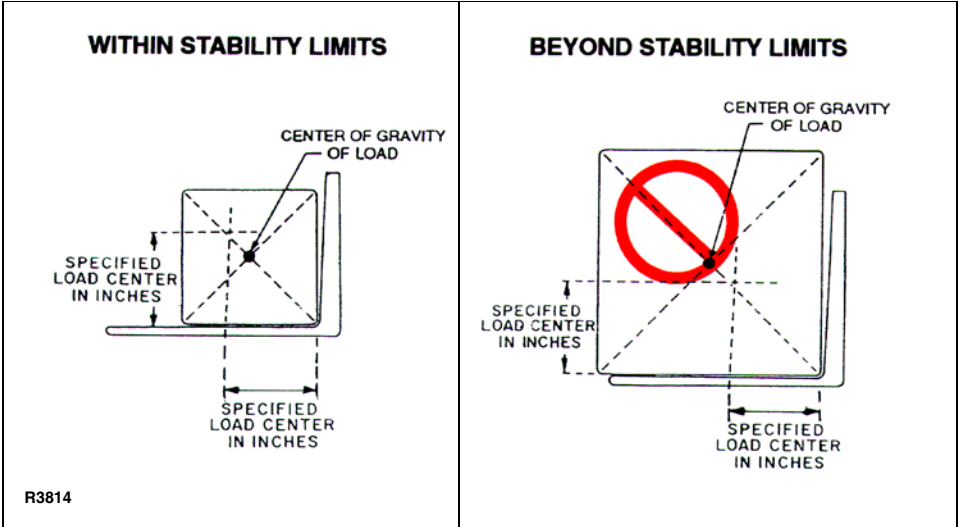
This truck is equipped with a battery. Read and heed the warning decal located near the battery. An example is shown here:

! DANGER	
<p>BATTERY HAZARD</p>	<p>EXPLOSIVE/POISON/CAUSTIC NO SPARKS, FLAMES, SMOKING BATTERY ACID can cause blindness and severe burns SHIELD EYES, AVOID SKIN CONTACT IF SPLASHED flush immediately with water, get medical help fast.</p> <p>Do not service battery while on charge. Do not connect or disconnect battery from charger while charger is on.</p> <p>Only qualified and experienced personnel should perform maintenance and repair on batteries. Use caution while servicing or removing battery. (Refer to Battery Safety Sheet).</p>

LOAD CAPACITY

The further the load center is from the backrest, the lower the load capacity. The load center must also be no higher than that specified above the lifting surface (Top side of forks). For example, a load capacity of 3,000 pounds with a load center of 24 inches means that the truck can be used to lift 3,000 pounds only when

the load's center of gravity is no more than 24 inches from the face of the forks or 24 inches above the top side of the forks. Note that a truck undergoing speed changes is less stable than a standing truck. If you are not sure that the truck can lift a certain load, consult your supervisor or the designated authority.



Load Center

BEFORE OPERATION

The table on [page 7](#) covers important inspection points on trucks which should be checked prior to operation. Depending on use, some trucks may require additional checks.

The illustration below shows a sample format for an Operator Checklist, which can be modified as necessary to fit your operation.



WARNING:

Periodic maintenance of this truck by a **QUALIFIED TECHNICIAN** is required.



WARNING:


A **QUALIFIED SERVICE TECHNICIAN** should check the truck monthly for proper lubri-

cation, proper fluid levels, brake maintenance, motor maintenance and other areas specified in the parts and service manual maintenance section.



WARNING:

If the truck is found to be unsafe and in need of repair, or contributes to an unsafe condition, report it immediately to the designated authority. Do not operate it until it has been restored to a safe operating condition. Do not make any unauthorized repairs or adjustments. All service must be performed by a qualified maintenance technician.

	Electric Truck Daily Operator Check-Off List																														
Date _____ Operator _____ Truck No. _____ Model No. _____ Dept. _____ Shift _____ Hour Meter Reading—Drive _____ Hoist _____																															
<table border="1" style="width: 100%; border-collapse: collapse;"> <thead> <tr> <th style="width: 40%;">Check</th> <th style="width: 20%;">O.K. (✓)</th> <th style="width: 40%;">Need Maintenance</th> </tr> </thead> <tbody> <tr><td>Tires</td><td></td><td></td></tr> <tr><td>Load Wheels</td><td></td><td></td></tr> <tr><td>Horn</td><td></td><td></td></tr> <tr><td>Lift—Lower Control</td><td></td><td></td></tr> <tr><td>Attachment Operation</td><td></td><td></td></tr> <tr><td>Forward & Reverse Controls</td><td></td><td></td></tr> <tr><td>Steering</td><td></td><td></td></tr> <tr><td>Electrical Brakes</td><td></td><td></td></tr> <tr><td>Hydraulic Leaks, Cylinders, Valves, Hoses, Etc.</td><td></td><td></td></tr> </tbody> </table>	Check	O.K. (✓)	Need Maintenance	Tires			Load Wheels			Horn			Lift—Lower Control			Attachment Operation			Forward & Reverse Controls			Steering			Electrical Brakes			Hydraulic Leaks, Cylinders, Valves, Hoses, Etc.			
Check	O.K. (✓)	Need Maintenance																													
Tires																															
Load Wheels																															
Horn																															
Lift—Lower Control																															
Attachment Operation																															
Forward & Reverse Controls																															
Steering																															
Electrical Brakes																															
Hydraulic Leaks, Cylinders, Valves, Hoses, Etc.																															
R6235																															

Sample of Operator Check List

Operator Checks

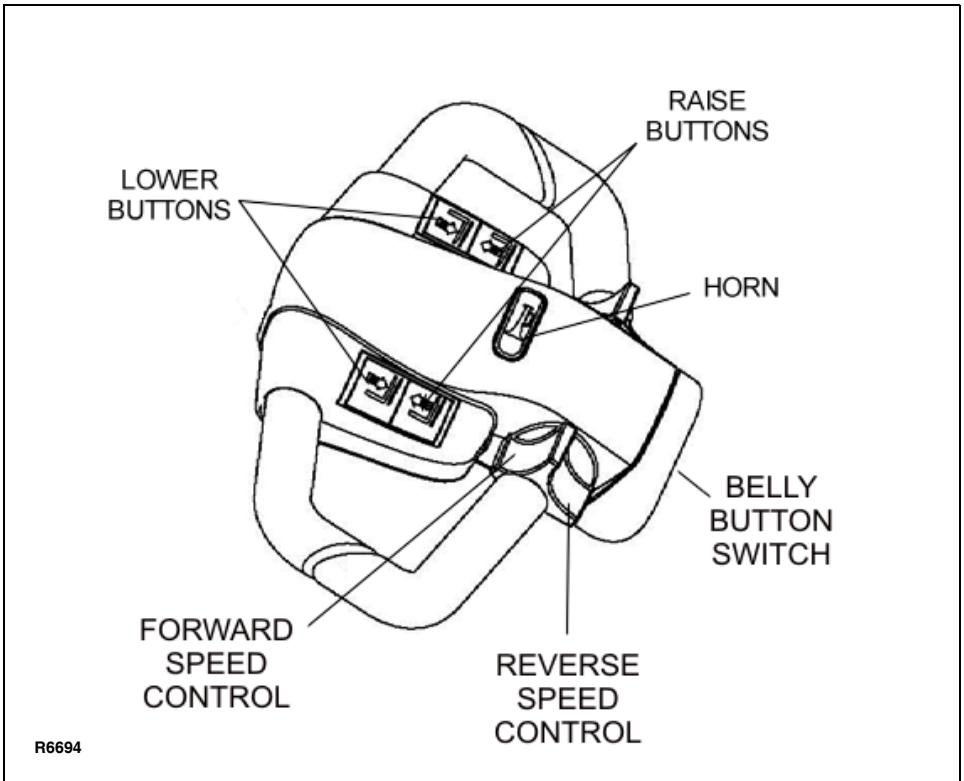
ITEM	PROCEDURE
Transmission and hydraulic systems	Check for signs of fluid leakage.
Forks	Check for cracks and damage and that they are properly secured.
Chains, cables and hoses	Check that they are in place, properly secured and not damaged.
Guards and load backrest	Check that safety guards are in place, properly secured and not damaged.
Safety signs	Check that warning labels, nameplate, etc., are in good condition and legible.
Horn	Check that horn sounds when operated.
Steering	Check for binding or looseness in steering arm when steering.
Travel controls	Check that speed controls on control handle operate in all speed ranges in forward and reverse and that belly button switch functions.
Wheels	Check drive wheel for cracks or damage. Move truck to check load wheels and casters for freedom of rotation.
Hydraulic controls	Check operation of lift and lower to their maximum positions.
Brakes	Check that brakes actuate when steering arm is raised to upright position, and when lowered to horizontal position.
Deadman/Parking brake	Check that steering arm raises to upright position when released and brake applies.
Battery disconnect	Check that battery can be disconnected and reconnected. Check for connector damage.
High speed limit switch	Allow for enough space to operate truck in high speed. Elevate forks approximately two feet, then test drive truck to check if high speed is cut out.

INSTRUMENTS AND CONTROLS

The steering arm and control handle provide controls for steering, forward and reverse speed control, braking, raising and lowering the forks. Control handles on all models have a “belly-button” reversing switch which reverses the direction of the truck upon contact with the operator.

Detailed operating instructions are in the Operation section of this manual.

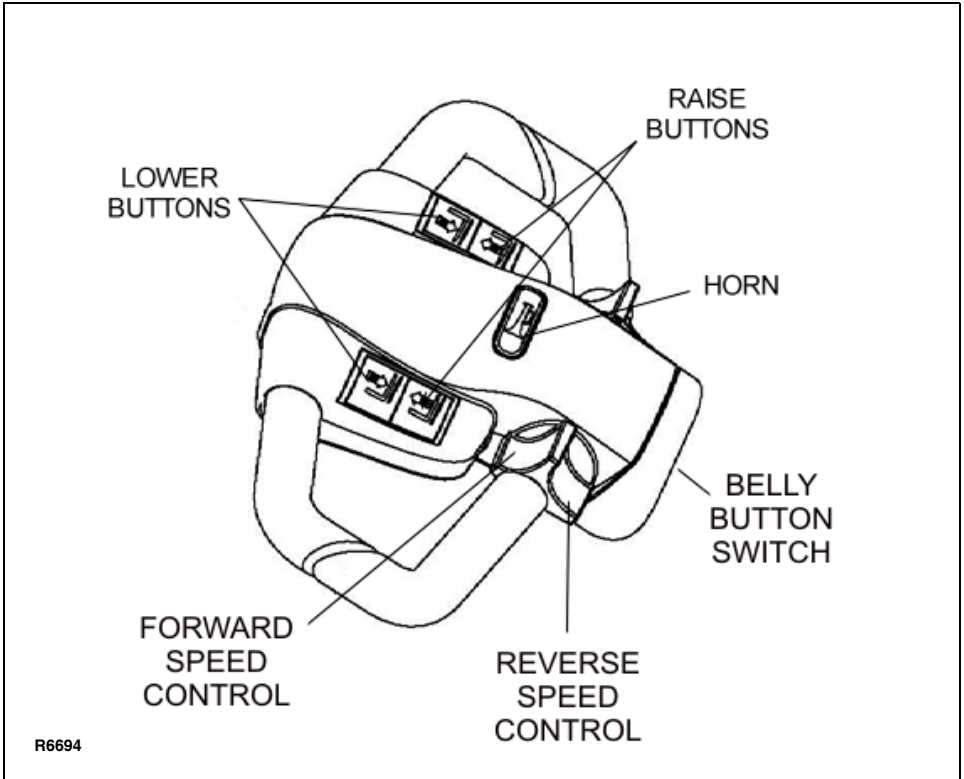
A battery disconnect is mounted near the steering arm. Pulling the disconnect removes all power from truck circuits in the event of an emergency.



Control Handle

OPERATION

Forward and Reverse Travel and Speed Control



Control Handle

All directional and speed controls are located on the control handle.

Forward and reverse are controlled by rotating the speed control lever as shown. The lever is spring loaded to return to neutral when released. Further rotation in either direction will progress the truck from slow to maximum travel speed.

To change directions or to stop the truck, rotate the speed control lever in the opposite direction. The truck will

come to a stop and then, unless the controls are returned to the center neutral position, accelerate in the opposite direction.

Steering

Moving the control handle (which connects to the steering arm) right or left will turn the truck right or left. When maneuvering around corners, make square turns and be sure there is adequate clearance.

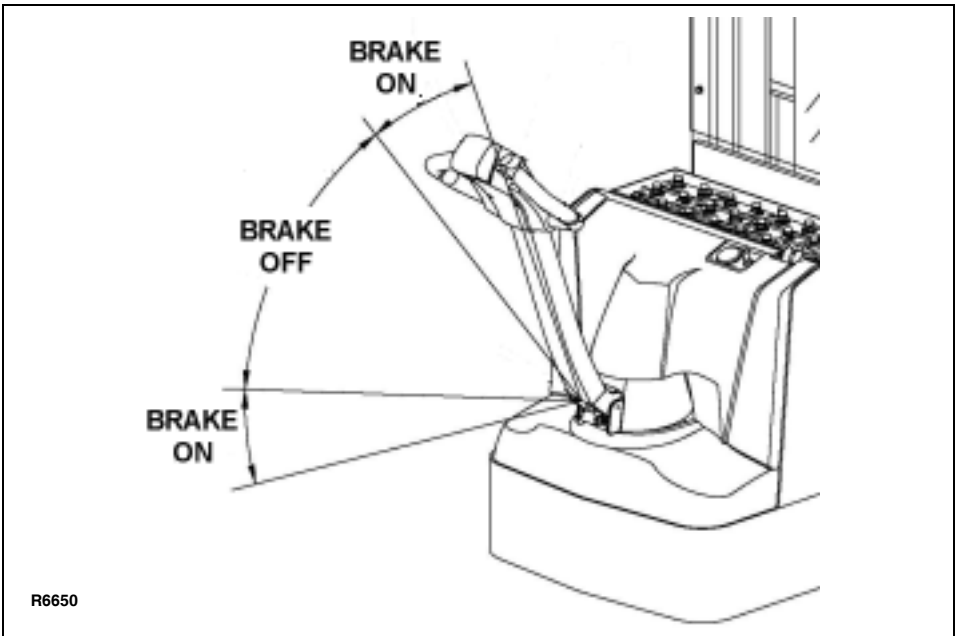
Stopping

Stop the truck as gradually as possible. Unnecessary rapid stopping could be hazardous. Load could become unstable.

To stop the truck's movement (forward or reverse), raise the control handle to the up position or push the control handle all the way down. In both positions, the electric brake will deactivate and the brake will apply. To release the brake, just move the control handle to the operating position.

NOTE: The steering arm gas spring automatically raises the steering arm to the upright position when the steering arm is released.

CAUTION: If the control handle does not raise immediately to the vertical position when released, the truck should be placed "OUT OF SERVICE" until it can be inspected by a qualified repair technician.



Steering Arm Braking Positions

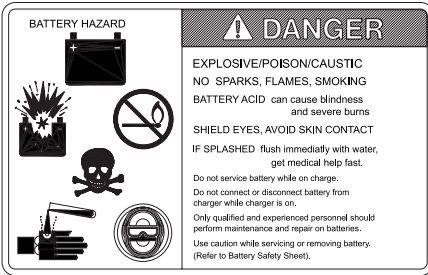
Parking

When parking the truck, do not obstruct traffic lanes or aisles.

1. Park the truck in its designated parking area.
2. Raise the steering arm until vertical to apply the parking brake.
3. Fully lower forks.
4. Turn keyswitch to off position. Remove key for added security.
5. Pull out battery disconnect.

Battery Charging

Refer to DOC 245 for battery safety and maintenance.



NOTE: Battery charging instructions are contained in the service manual.

Load Handling



WARNING:

Handle only loads arranged for stability and always use caution. Raise and lower the load smoothly to prevent the load from falling.



WARNING:

Always be sure the load and load center are within the capacity of the truck. If in doubt check the nameplate.

1. Approach the load slowly.
2. Stop the truck when the forks are just in front of the load.
3. Adjust the forks to the maximum practical width to support the load to be lifted.
4. Raise or lower the forks until they are properly aligned with the pallet openings.
5. Move the truck slowly into position so that the forks are centered about the load.
6. Make sure the load is against the backrest and then raise the forks until the pallet clears the rack.
7. Move the truck away from the rack until the load clears the rack and then lower the forks.
8. Always operate the truck with the forks in the DOWN position and slightly raised when operating on a grade.
9. Lead the truck by the control handle with the load trailing except when in confined areas. Ramps should be traveled with operator uphill of truck when empty, or operator downhill of truck with load on forks.
10. Always look in the direction of travel. Move slowly and check clearances when approaching obstructions.

11. Do not make sudden starts and stops. Operate truck smoothly and gradually.
12. Travel slowly and squarely around corners. Remember that the trailing load wheels do not follow the turn path of the drive wheel; instead, they tend to cut the corner.
13. Line up the truck with the unloading area.
14. Stop the truck and raise or lower the forks until the pallet is in position with the unloading area.
15. Check the load alignment with surrounding objects.
16. Be careful not to damage or move adjacent loads and objects.
17. Slowly move into position.
18. Lower the forks until the load is securely settled on its own. Be

sure there is no downward force on the forks on the rack or floor.

19. Carefully move the truck away from the load watching to make sure the load doesn't move or shift. If the load does move, return the truck to the load and reset.

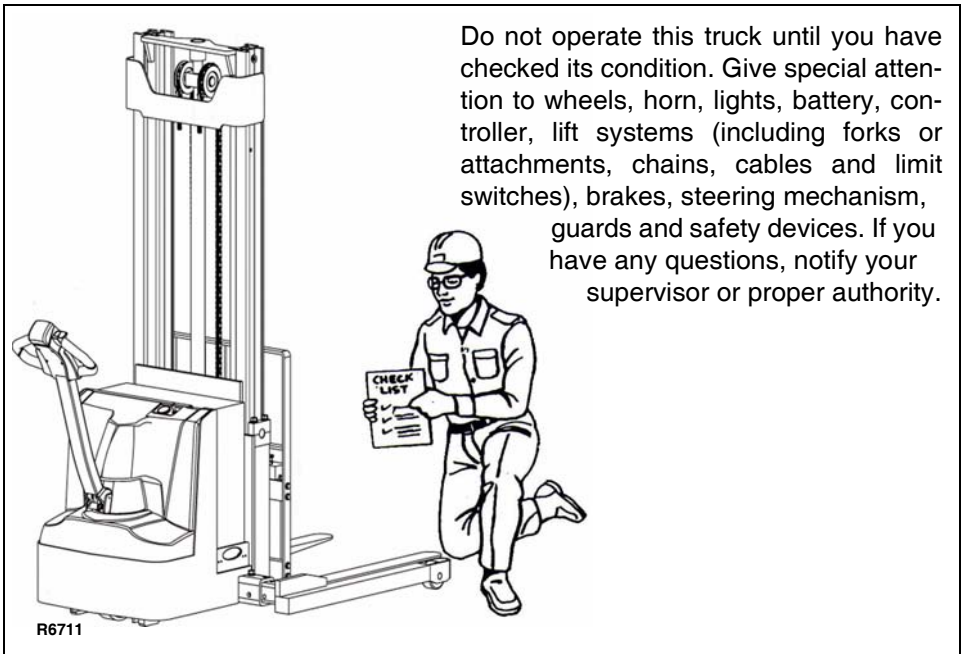
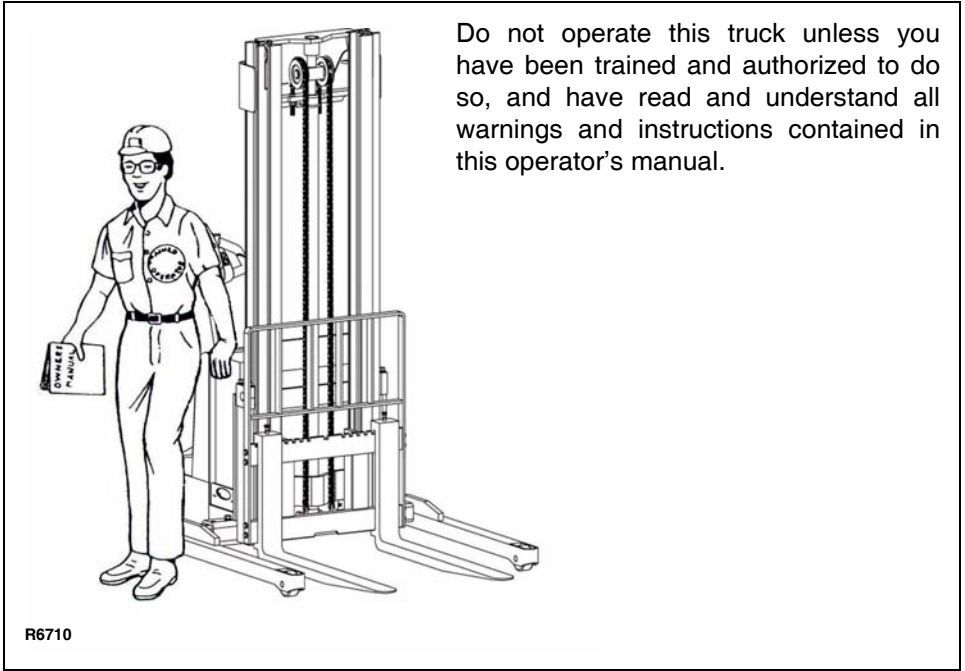
NOTE: Make sure when working in a rack area, that you do not disturb another load while placing yours in the rack. This may cause a dangerous situation for other operators or pedestrians working in this area later.

20. If forks are elevated, lower to travel position.

Moving a Disabled Truck

Do not attempt to move a disabled truck; notify your supervisor or proper authority.

The following operating instructions appear on the truck warning decal, which is located near the steering arm.



Operate truck only from walking position.



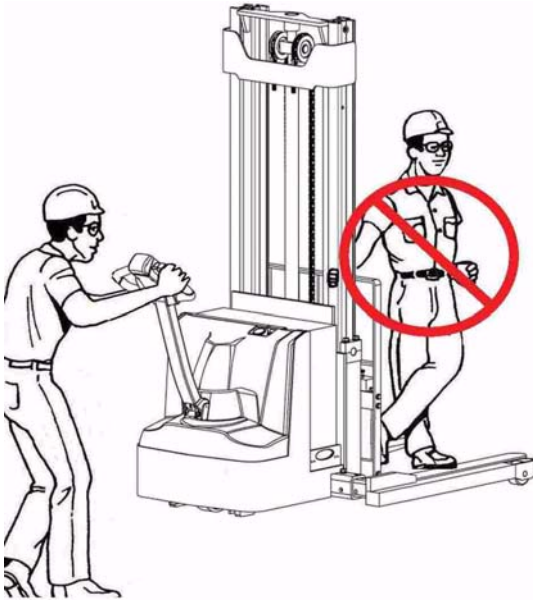
R6712

Never place any part of the body into the mast structure.



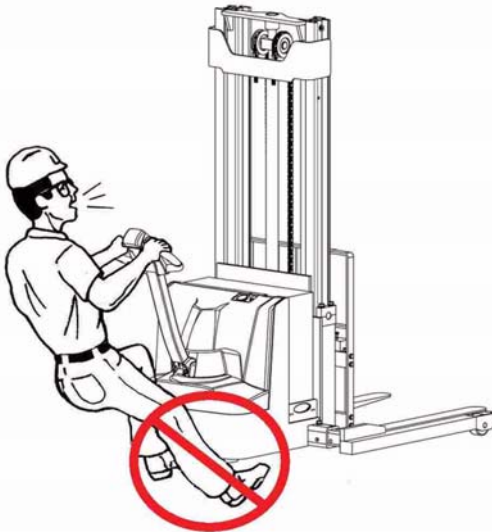
R6713

Do not carry passengers.

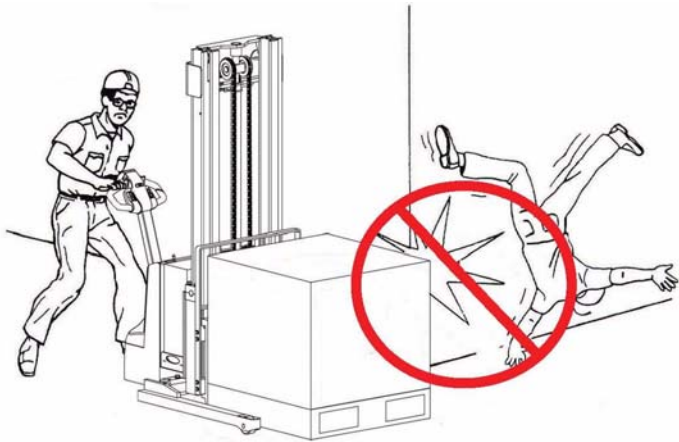


R6714

Keep feet clear of truck.



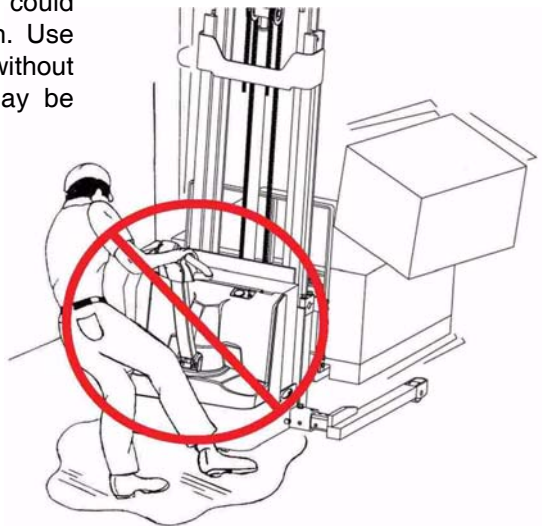
R6715



Observe applicable traffic regulations. Yield right-of-way to pedestrians. Slow down and sound horn at cross aisles and wherever vision is obstructed.

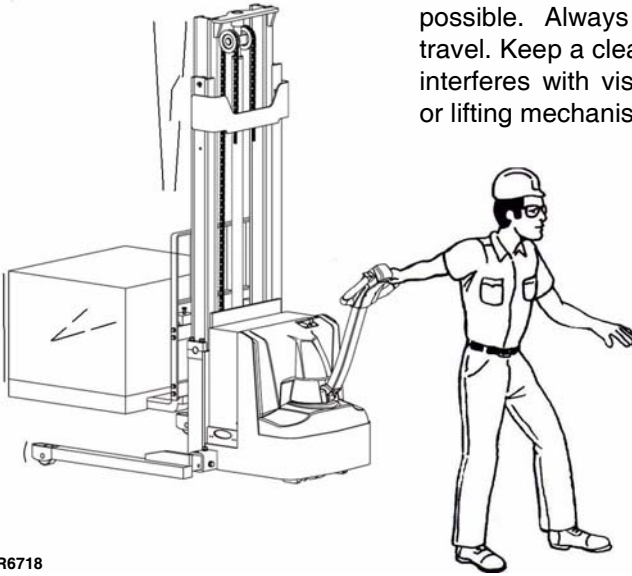
R6716

Start, stop, travel, steer and brake smoothly. Slow down for turns and on uneven or slippery surfaces that could cause truck to slide or overturn. Use special care when traveling without load as the risk of overturn may be greater.



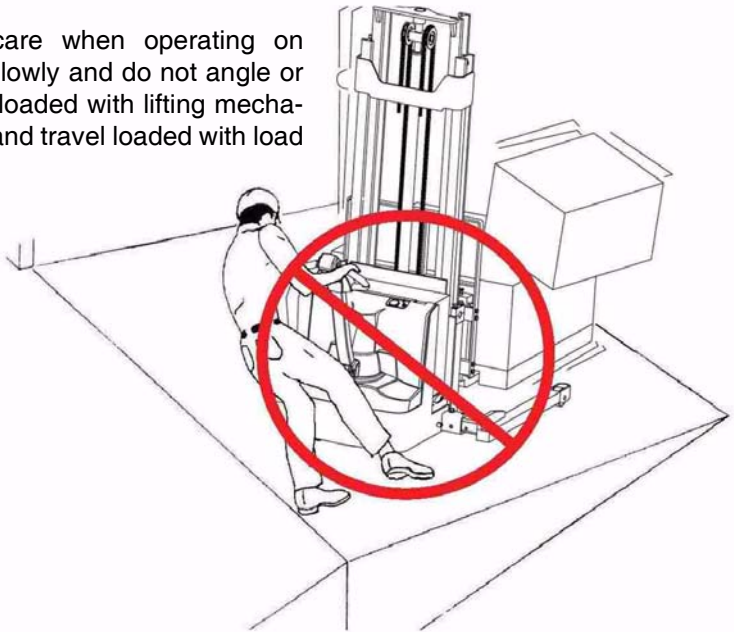
R6717

Travel with lifting mechanism as low as possible. Always look in direction of travel. Keep a clear view, and when load interferes with visibility, travel with load or lifting mechanism trailing.



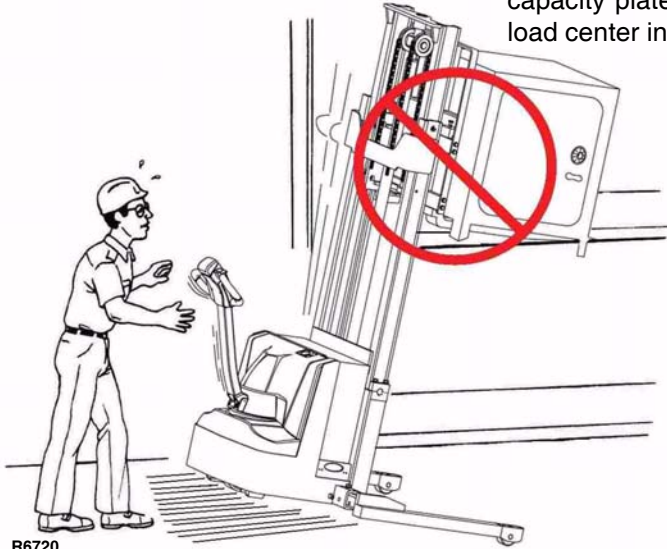
R6718

Use special care when operating on ramps; travel slowly and do not angle or turn. Travel unloaded with lifting mechanism downhill and travel loaded with load uphill.



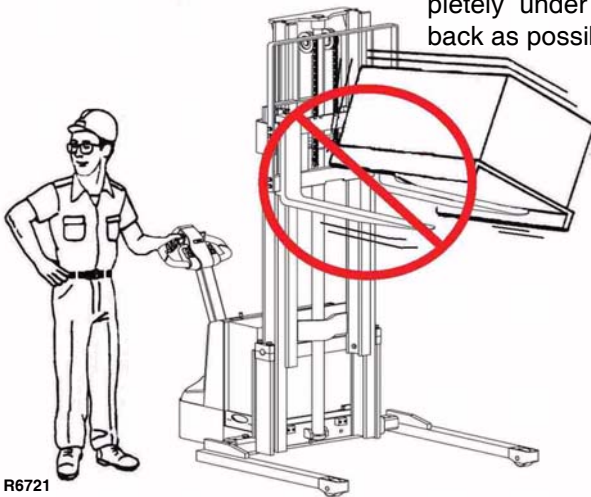
R6719

Do not overload truck. Check capacity plate for load weight and load center information.



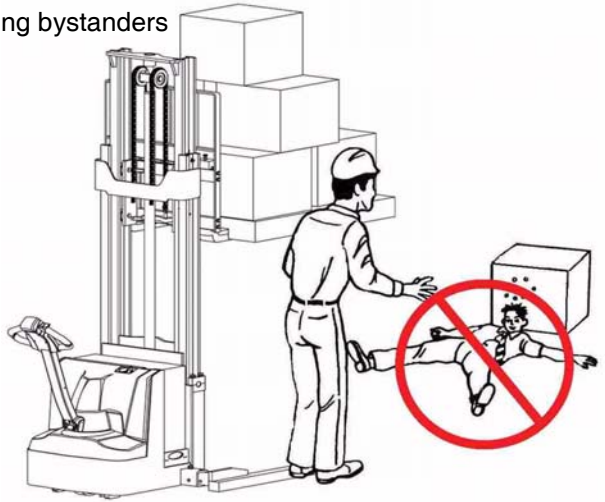
R6720

When using forks, space forks as far apart as load will permit. Before lifting, be sure load is centered, forks are completely under load, and load is as far back as possible against load backrest.



R6721

Do not handle unstable or loosely stacked loads. Use special care when handling long, high or wide loads to avoid losing the load, striking bystanders or tipping the truck.

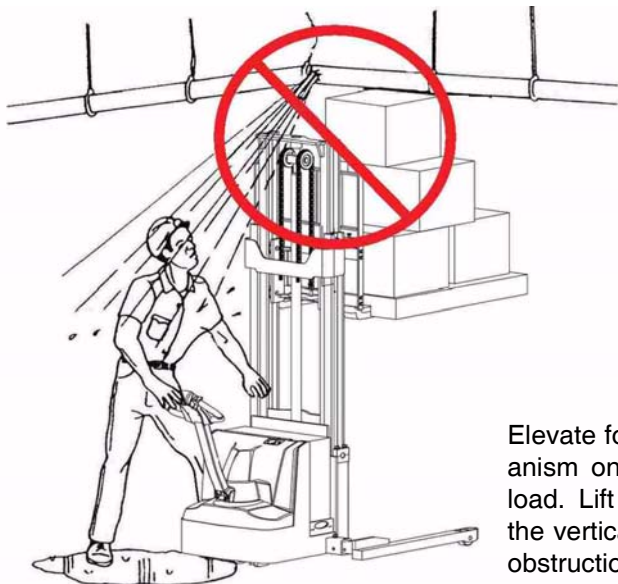


R6722

Do not handle loads which are higher than the load backrest or load backrest extension unless load is secured so that no part of it could fall backward.



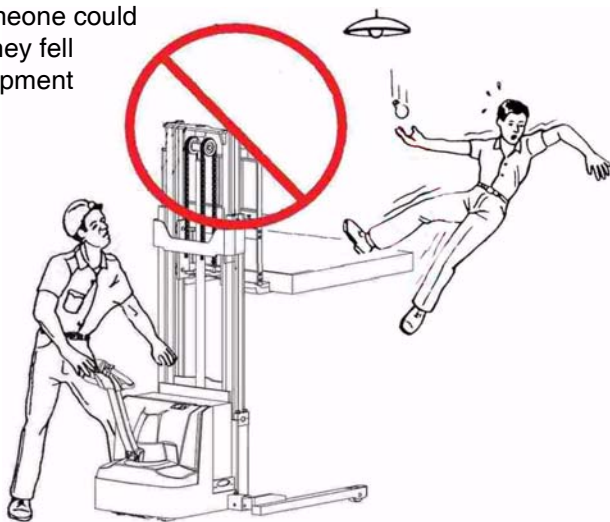
R6723



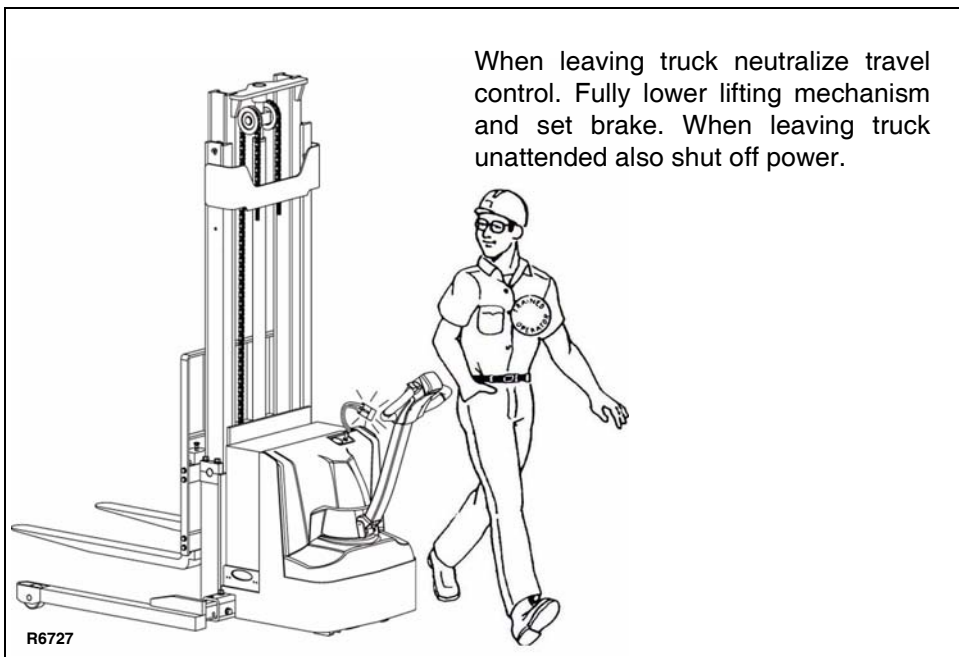
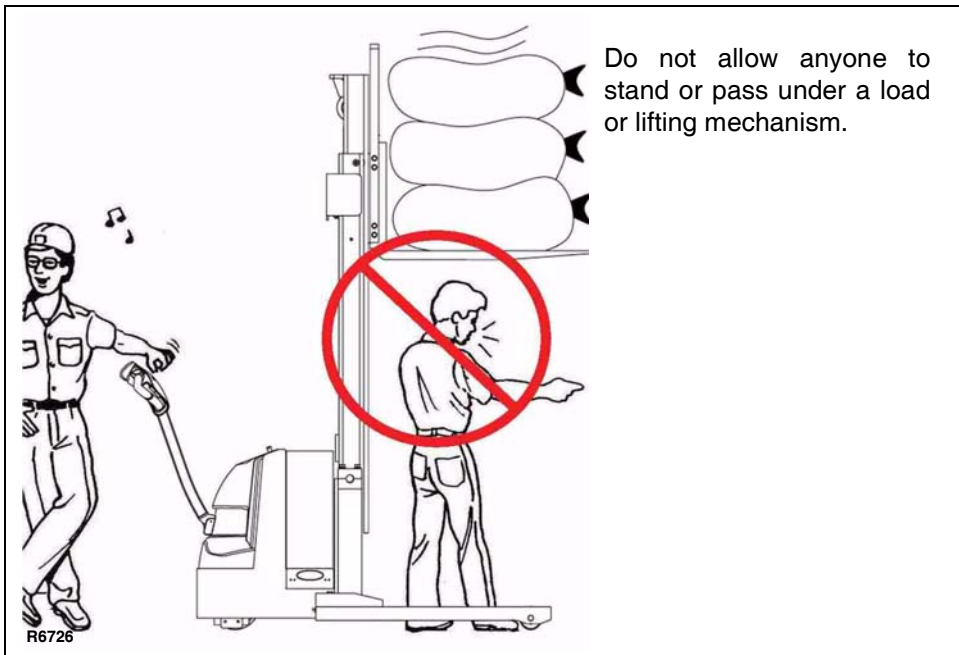
R6724

Elevate forks or other lifting mechanism only to pick up or stack a load. Lift and lower with mast in the vertical position. Watch out for obstructions, especially overhead.

Do not lift personnel on forks or work platform with this truck. It is not designed for this function and someone could get seriously injured if they fall off. Use the correct equipment for this task.



R6725



NOTICE - OBTAINING A PARTS AND SERVICE MANUAL

A complete parts and service manual covering this truck is available from Big Lift LLC. To order, obtain the serial number of your truck and contact your Big Joe Authorized Dealer.

BLUE GIANT[®]
BLUE GIANT EQUIPMENT CORPORATION

Corporate 85 Heart Lake Road South
Brampton, ON, Canada L6W 3K2
t 905.457.3900 f 905.457.2313

USA 6350 Burnt Poplar Road
Greensboro, NC 27409
www.BlueGiant.com