

PARTS LIST

BLUE GIANT INTERLOCK CHOCK™



ACTUAL PRODUCT MAY NOT APPEAR EXACTLY AS SHOWN

WARNING

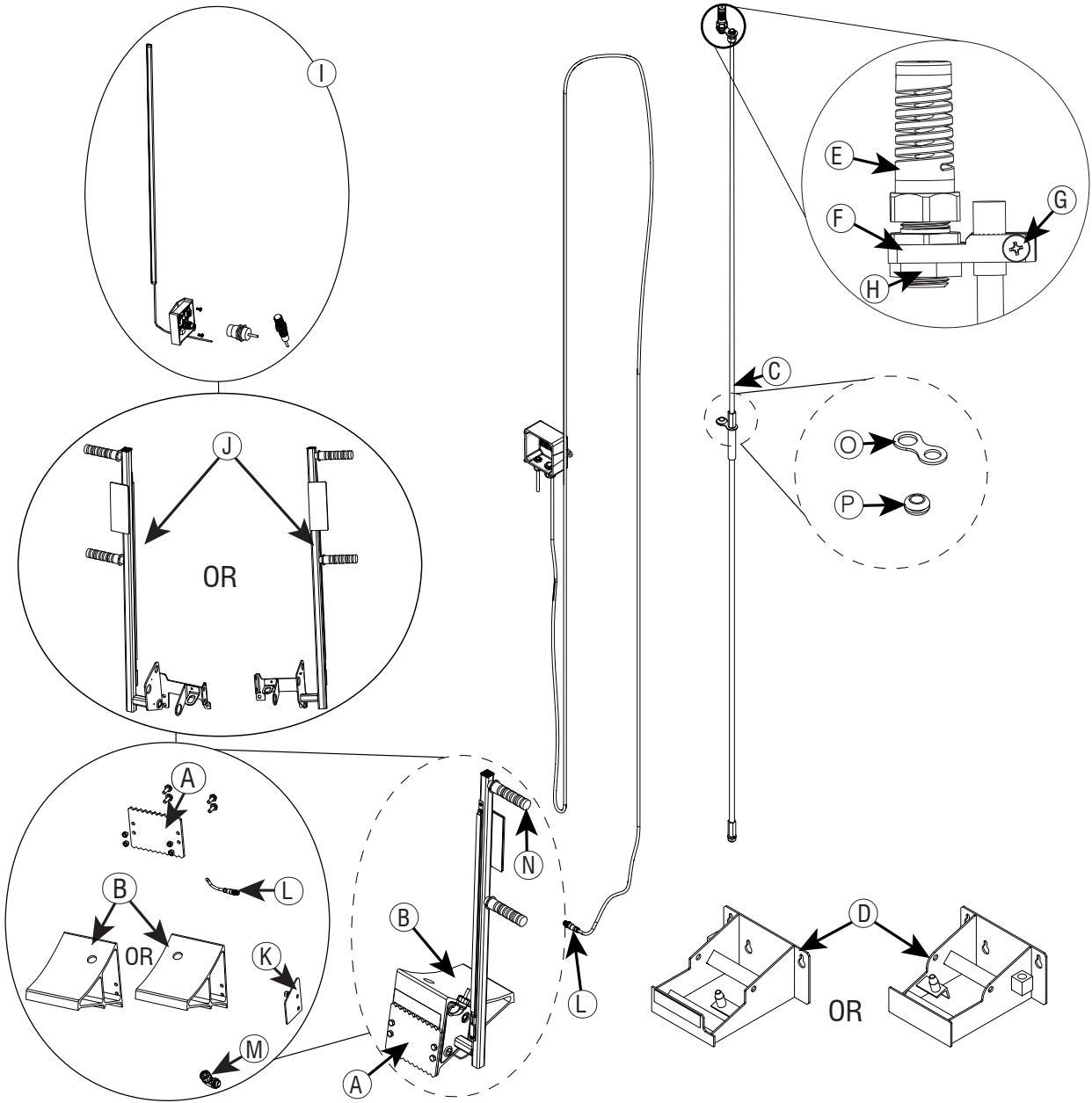
Do not operate or service this product unless you have read and fully understand the entire contents of this manual. Failure to do so may result in bodily injury or death.

BLUE GIANT®

STARTING FROM AUGUST 14, 2020 / SERIAL # 467201

ISSUE DATE: JUNE 25, 2024 REV. 2.1 (PART # 038-1125EPL)

2.0 RECOMMENDED SPARE PARTS



STANDARD OPERATIONAL COMPONENTS

ITEM	PART #	DESCRIPTION	QTY REQ'D
A	2009848	Toothed Flange	1
B	2012832	Chock - Machined (Left Hand Drive)	1
	2012832-1	Chock - Machined (Right Hand Drive)	
C	012-703	Whip	1
D	2014943	Cradle (Left Hand Drive)	1
	2014943-1	Cradle (Right Hand Drive)	
E	012-702	Flex Strain Relief Connector	1
F	2016909	Cable Clamp	1
G	011-205	Headscrew #10-24, 7/8in. long	1

STANDARD OPERATIONAL COMPONENTS			
ITEM	PART #	DESCRIPTION	QTY REQ'D
H	025-200	3/8 (-18) NPT Metal Locknut	2
I	BGRM001-ITC485	I/O Board, LED board, and Sensors (Left Hand Drive)	1
	BGRM001-ITC485-1	I/O Board, LED board, and Sensors (Right Hand Drive)	
J	2015410	I/O Module with Handle Weldment (Left Hand Drive)	1
	2015410-2	I/O Module with Handle Weldment (Right Hand Drive)	
K	2015246	Side Cover	1
L	026-M12-M6HD	Cable, M12-4, 6M, Male leads	1
M	025-005	CONNECTOR 1/2" CORD GRIP - 90 DEGREE	1
N	012-700	VINYL PLASTIC ROUND GRIPS	2
O	2016853	CABLE HOLDER	1
P	012-406	GROMMET RUBBER	1

3.0 DECAL IDENTIFICATION AND LOCATION

These labels inform operators and personnel about hazardous areas on and around the Interlock Chock. Left hand drive version shown. Locations applicable for either left or right hand drive.



(A)



(D)



(B)



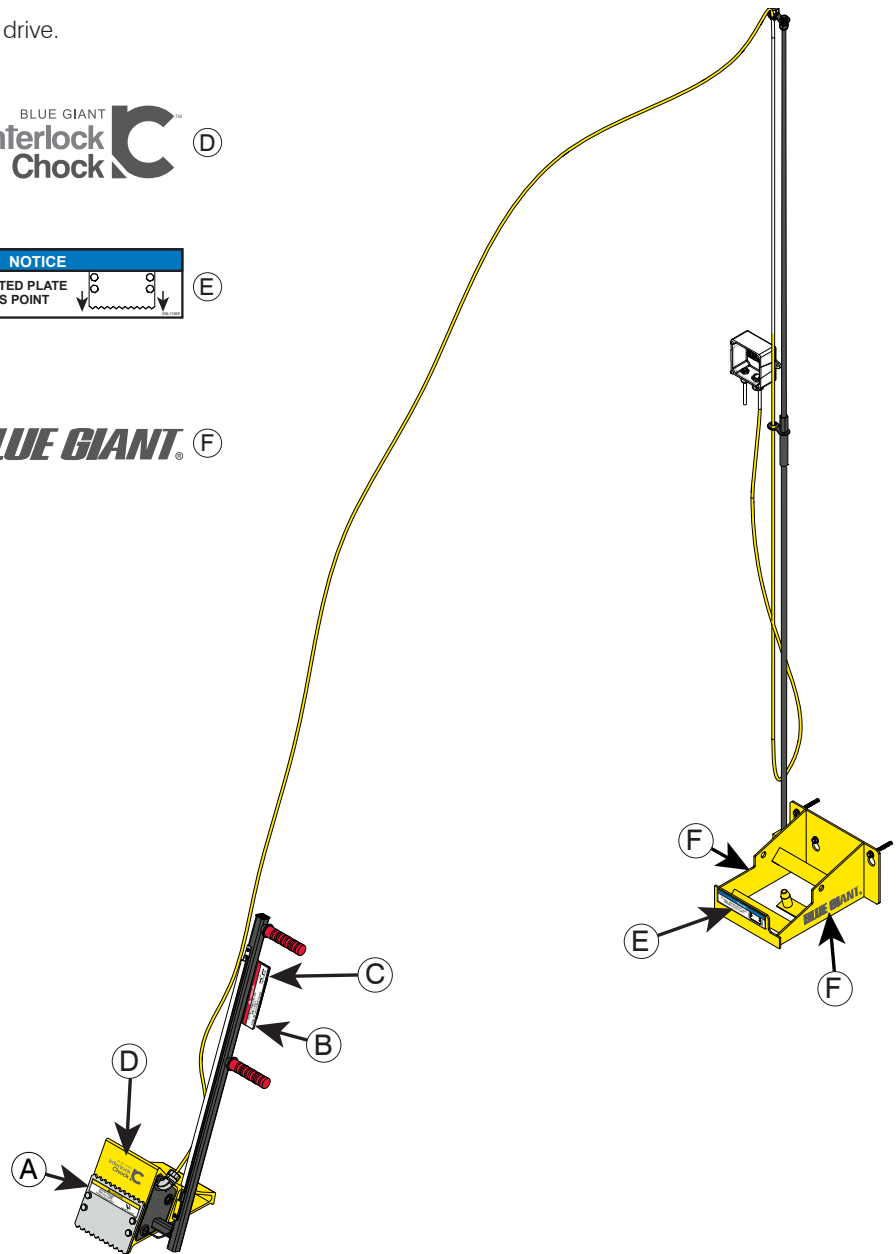
(E)



(C)



(F)



ITEM	QTY	PART #	DESCRIPTION
A	1	038-1135E	Caution Sharp Hazard Decal
B	1	038-1137E	Danger Chock Decal
C	2	038-1134EF	Serial Plate Decal
D	1	038-1140E	Interlock Chock logo
E	1	038-1136E	Notice Cradle Placement Decal
F	2	038-1141E	Blue Giant Logo

3.1 OPERATION PLACARDS

The Operating Instruction Placard (Part. No. 038-1124E) is to be wall mounted near the dock lift controls.

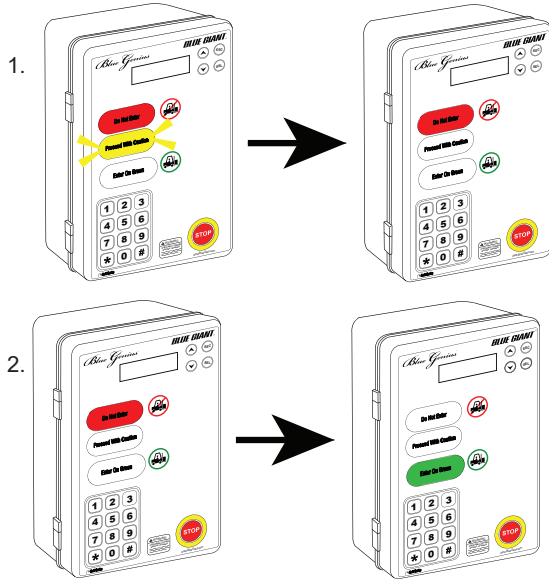
The Exterior Operating Instruction Placard (Part. No. 038-1139E/F) is to be wall mounted near the External Traffic Lights.

Duplicates of 038-1139E and 038-1124E provided on the following pages. (Not to scale).

OPERATING INSTRUCTIONS

Only for the Blue Giant Interlock Chock™

A



PLACE WHEEL CHOCK

Standard and end loading follow the same procedure. Once the vehicle driver has placed the Interlock Chock, the Blue Genius Control Panel flashes AMBER.

1. Fully open the dock door.
While the door is opening, Blue Genius Control Panel will illuminate solid RED.
When the door is fully open, the Blue Genius Control Panel remains solid RED.

GOLD OR PLATINUM
BG MENU DISPLAY
SCREEN

READY TO RAISE DECK

2. Deploy dock.
While dock deploying, Blue Genius Control Panel illuminates solid RED.
When dock fully deployed, Blue Genius Control Panel illuminates solid Green.

GOLD BG MENU
DISPLAY
SCREEN

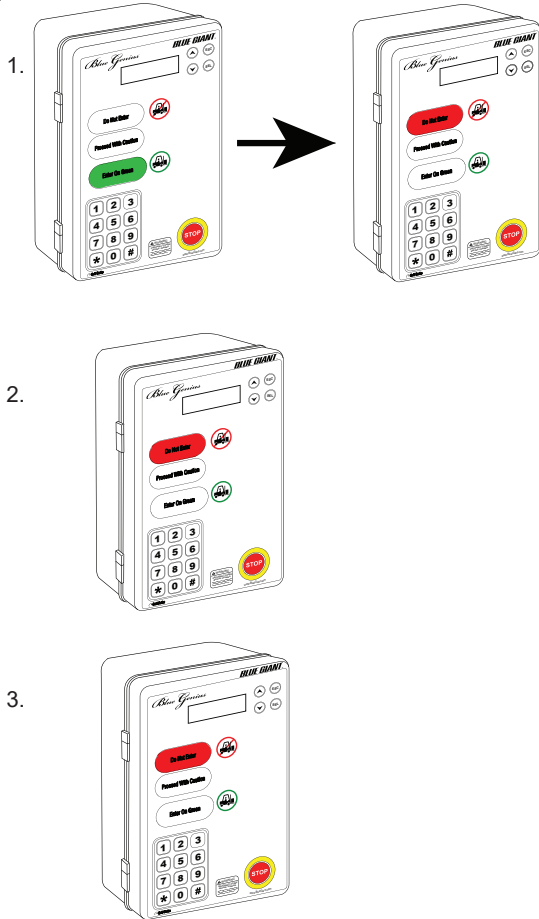
DECK DEPLOYED

PLATINUM BG
MENU DISPLAY
SCREEN

LEVELER READY

3. Proceed with loading or unloading.

B



REMOVE WHEEL CHOCK

1. When loading or unloading is completed, restore dock to fully parked position.
When the dock leaves the deployed position and is parked, Blue Genius Control Panel illuminates solid RED.

GOLD BG MENU
DISPLAY
SCREEN

WHEEL CHOCK
IS ENGAGED

PLATINUM BG
MENU DISPLAY
SCREEN

CHOCK ENGAGED
LEVELER RESTORED

2. Close door completely.
Blue Genius Control Panel illuminates solid RED.

GOLD BG MENU
DISPLAY
SCREEN

READY TO RELEASE

PLATINUM BG
MENU DISPLAY
SCREEN

READY TO RELEASE
WHEEL CHOCK

3. As driver restores chock, Blue Genius Control Panel illuminates solid RED.

GOLD BG MENU
DISPLAY
SCREEN

RESTORE WHEEL CHOCK

PLATINUM BG
MENU DISPLAY
SCREEN

READY TO RELEASE
WHEEL CHOCK

4. Chock is back in cradle.
Blue Genius Control Panel remains solid RED.

GOLD OR PLATINUM
BG MENU DISPLAY
SCREEN

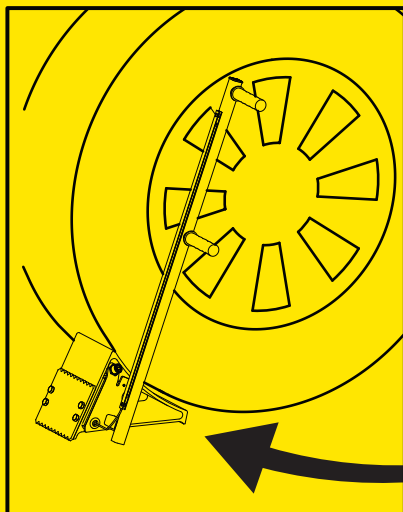
BLUE GENI US READY

MANDATORY

**WHEELS
MUST BE
CHOCKED**



WARNING



**IF ALARM
SOUNDS AND
WHEEL CHOCK
FLASHES RED
ENSURE CHOCK
IS ENGAGED**

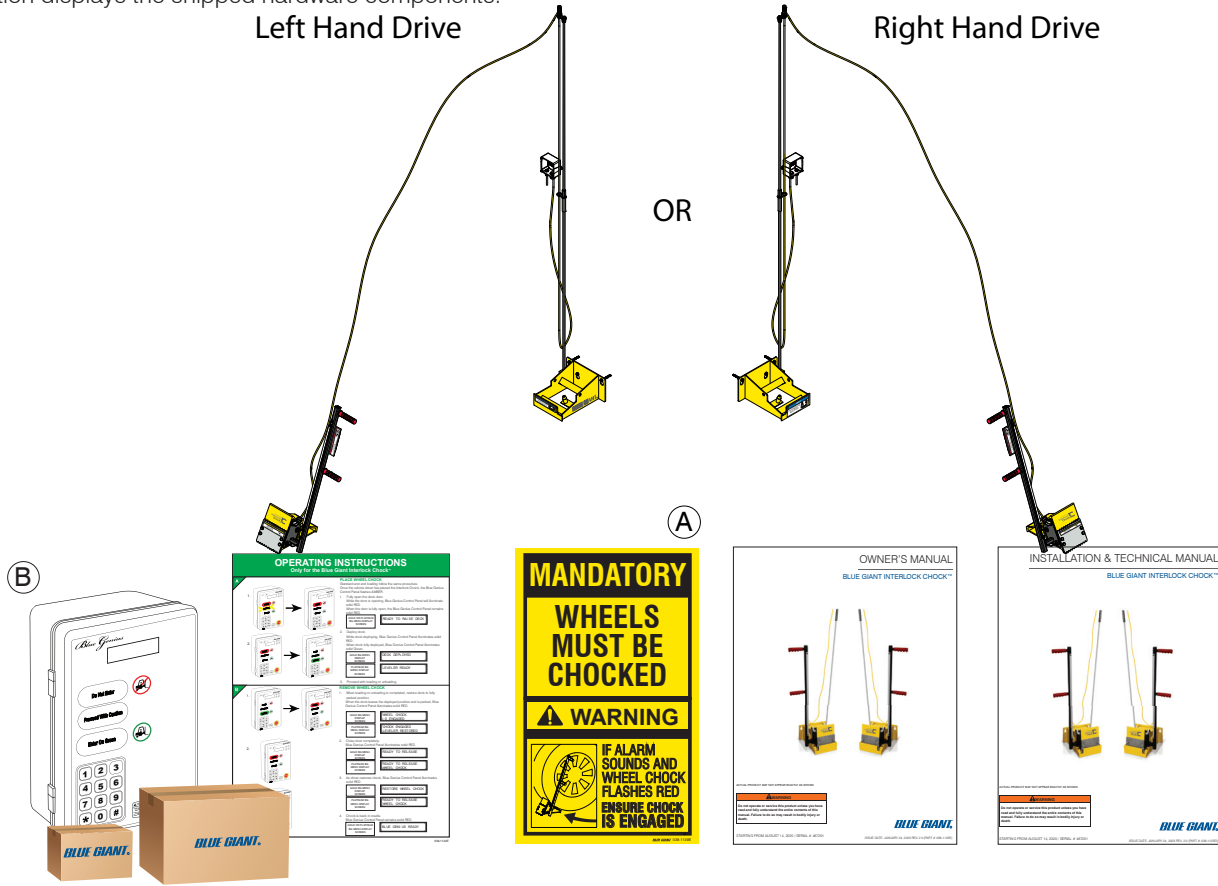
BLUE GIANT. 038-1139E

4.0 EQUIPMENT COMPONENT ILLUSTRATIONS

This section displays the various hardware components.

4.1 COMPONENTS AS SHIPPED CHECKLIST

This section displays the shipped hardware components.



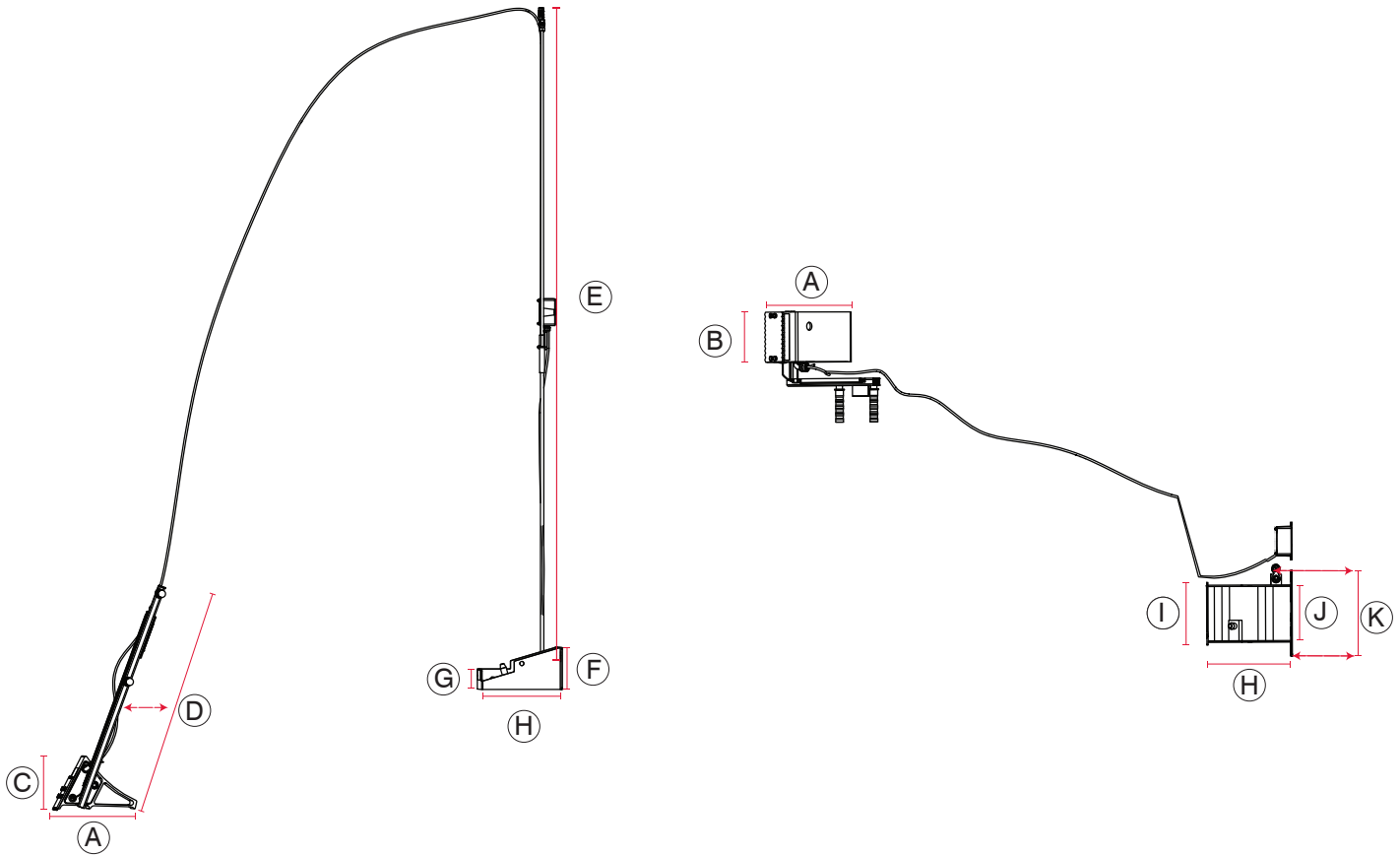
✓	ITEM	QTY.	PART NO.	DESCRIPTION	APPROX. WEIGHT
	A	1		Interlock Chock (Left or Right Hand Drive version)	—

Item B - CONTROL AND COMPONENTS INCLUDED:

✓	QTY.	PART NO.	DESCRIPTION	APPROX. WEIGHT	
	1	—	Complete Control Assembly	6.2 lb	2.81 kg
	2	028-201	Door Sensors	—	—
	1	026-G019	Lip Sensor	—	—
	1	026-M12-F5	5 Meter Cable for Proximity Sensor	—	—
	1	026-M12-F2	2 Meter Cable for Proximity Sensor	—	—
	1	21-002154	Bracket for Proximity Sensor	—	—
	1	038-1124E	Interlock Chock Interior Operating Instructions Placard	—	—
	1	038-1139	E Interlock Chock Exterior Operating Instructions Placard	—	—
			F Interlock Chock Exterior Operating Instructions Placard	—	—
	1	038-1125EI	Installation Manual	—	—
	1	038-1125E	Owner's Manual	—	—
	1	038-1125EPL	Interlock Chock Parts List	—	—
	1	032-806	Exterior Traffic Light	1.3 lb	0.6 kg
	1	038-225	E Exterior Driver Warning Sign	0.7 lb	0.32 kg
			F Exterior Driver Warning Sign		
			S Exterior Driver Warning Sign		

4.2 GENERAL DIMENSIONS

This section describes the length and height of the Interlock Chock components. Left hand drive shown. Measurement are the same for either hand drive.



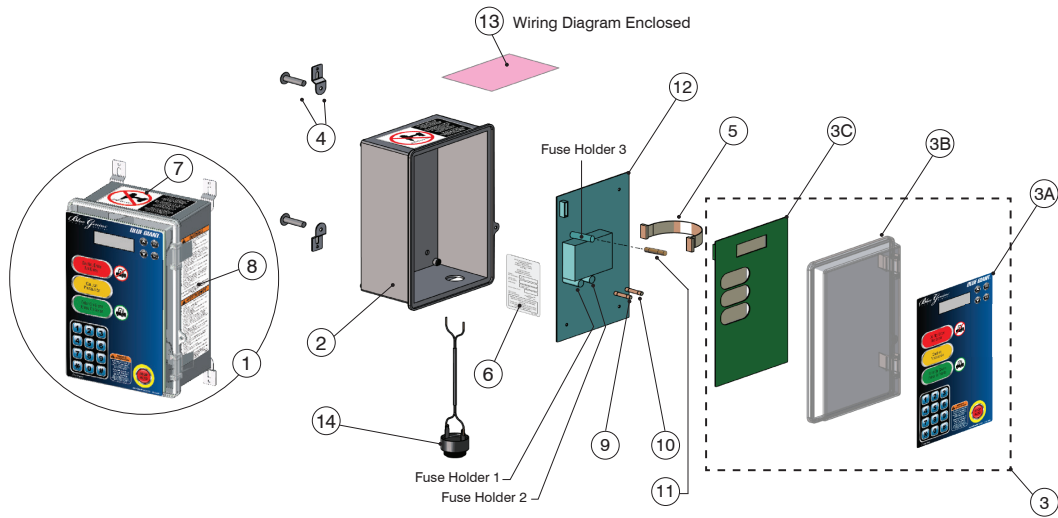
ITEM	DESCRIPTION
A	11 3/4in. (298 mm)
B	7in. (178 mm)
C	7 7/8in. (200 mm)
D	33 9/32in (845 mm)
E	100 3/4in. (2559 mm)
F	6 1/4in. (159 mm)
G	1 13/16in. (46 mm)
H	12in. (305 mm)
I	8 3/4in. (222 mm)
J	7 13/16in. (198 mm)
K	12in. (305 mm)

Contact your Blue Giant Dealer, if you have questions.

4.3 CONTROLS

This section depicts the Blue Genius Control Panel.

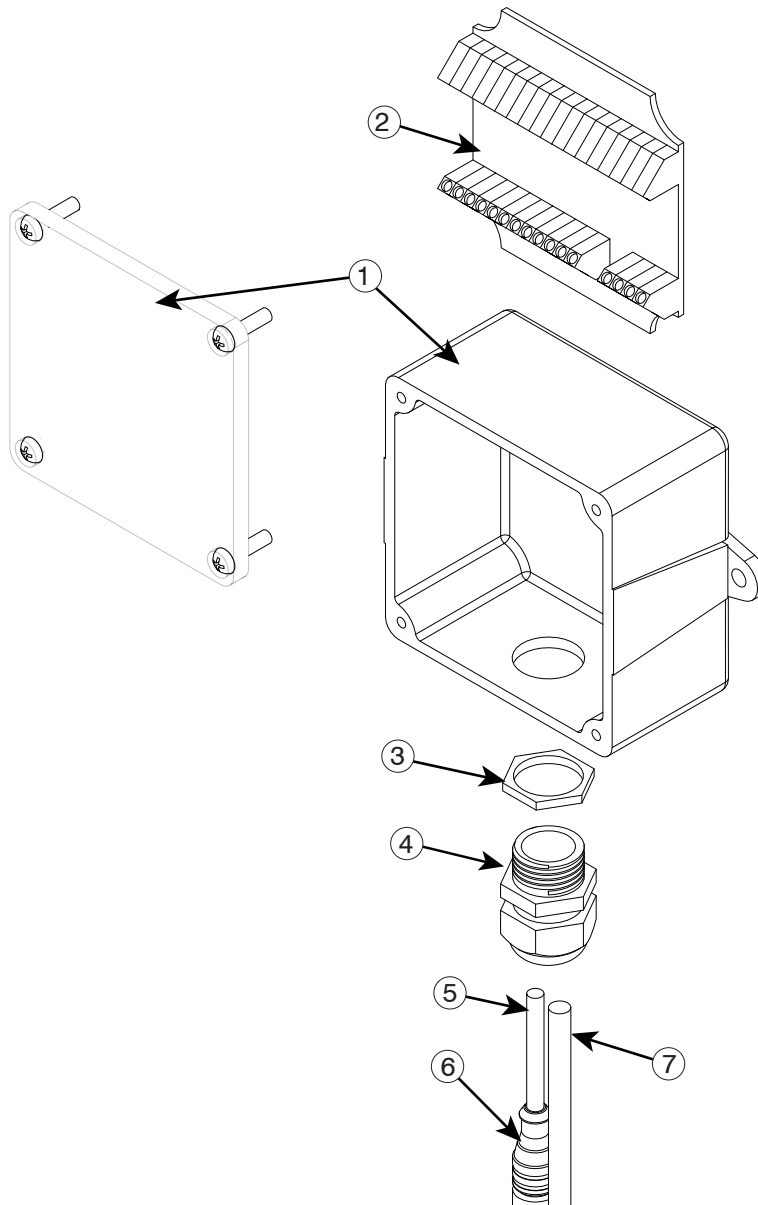
NOTE: Actual product may not appear exactly as shown.



CONTROL ASSEMBLY			
ITEM	QTY	PART #	DESCRIPTION
1	1	BGG0H1115F	Complete Control Assembly, English / French
		BGG0H1115S	Complete Control Assembly, English / Spanish
2	1	025-G010-M	Control Box Enclosure (Includes 3B)
3	1	Consult Factory	Control Box Lid (3B) with Decal (3A) & Control / Board (3C) (Serial # Required)
3A	1	038-245EF	Button Decal, English / French
		038-245ES	Button Decal, English / Spanish
3B	1	025-G014-M	Cover Only
3C	1	026-G020-99	Blue Genius™ Control / Touch Board
4	4	025-G010-1	Mounting Tabs
5	1	026-G030	Ribbon Cable
6	1	038-284EF	Decal, Serial Plate English / French
		038-284ES	Decal, Serial Plate English / Spanish
7	1	038-283ESF	Decal, Do Not Drill
8	1	038-853EF	Warning Decal, English / French
		038-853ES	Warning Decal, English / Spanish
9	1	026-G104	Fuse, 250V, 0.75 Amp (Fast acting ¼in. x 1-¼in.)
10	1	026-G123	Fuse, 250V, 5 Amp (Time delay ¼in. x 1-¼in.)
11	1	026-237-1	Fuse, 250V, 2-½ Amp (Fast acting ¼in. x 1-¼in.)
12	1	Varies on Model	Blue Genius™ Power Board
13	1	026-615-1	Anti-Static Poly Bag (Wiring diagram enclosed - serial # required)
14	1	026-G402-B	Audible Speaker

4.4 JUNCTION BOX W/REMOTE I/O

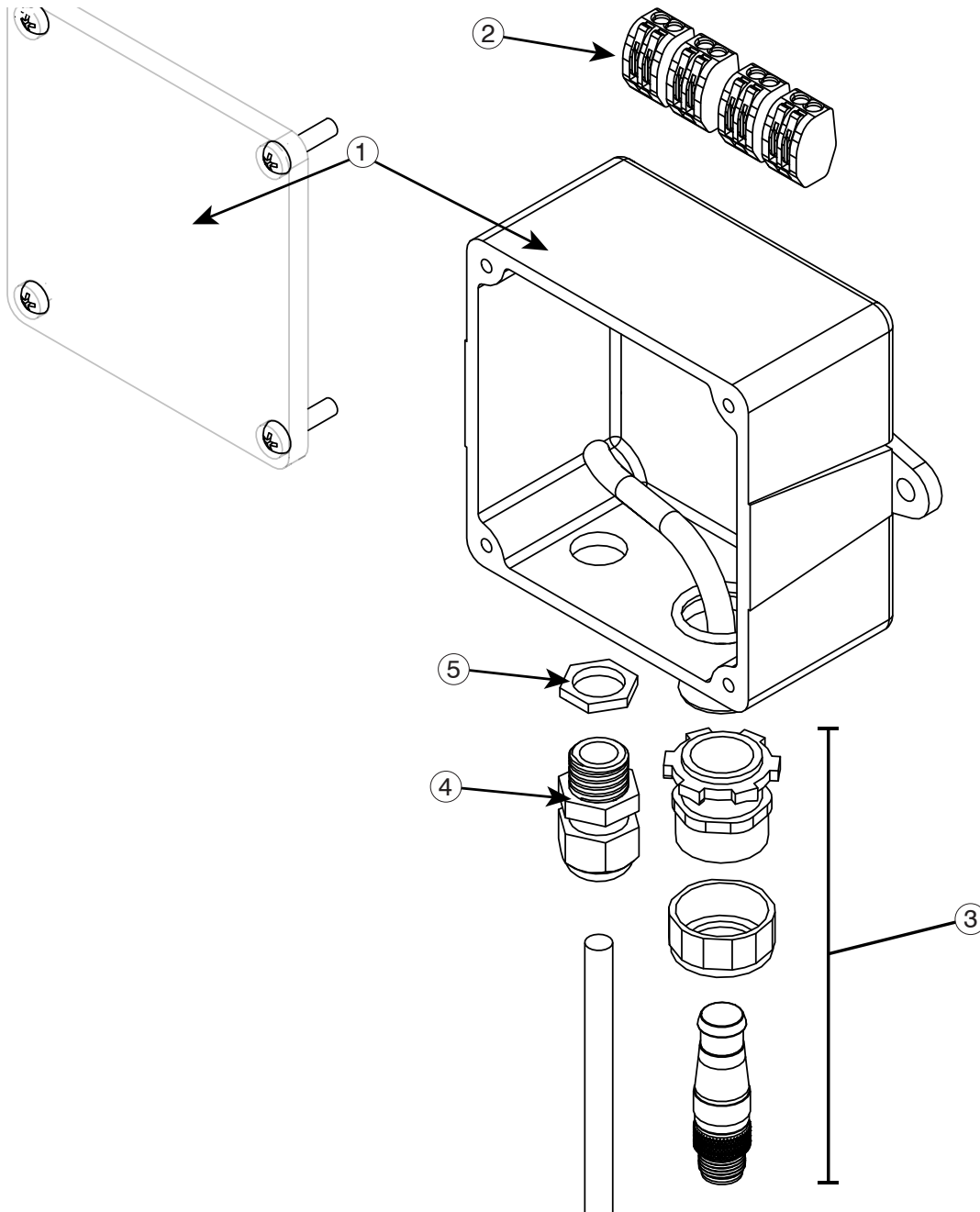
This section depicts the junction box connecting the Blue Genius Control Panel to the wiring external to the building.



JUNCTION BOX ASSEMBLY			
ITEM	QTY	PART #	DESCRIPTION
1	1	025-G020-1R	Junction Box 4 x 4
2	1	026-G025BM	Remote I/O Board (Resistor)
3	1	025-177	PG16 Metal Locknut
4	1	025-174	PG16 Cable Gland
5	1	025-177	PG16 Multi-Hole Seal
6	1	026-H16-1	Com. Cable Shielded - 30 ft
7	1	026-M12-F5	7-Wire Cable (From Junction Box Assembly)

4.5 JUNCTION BOX ASSEMBLY

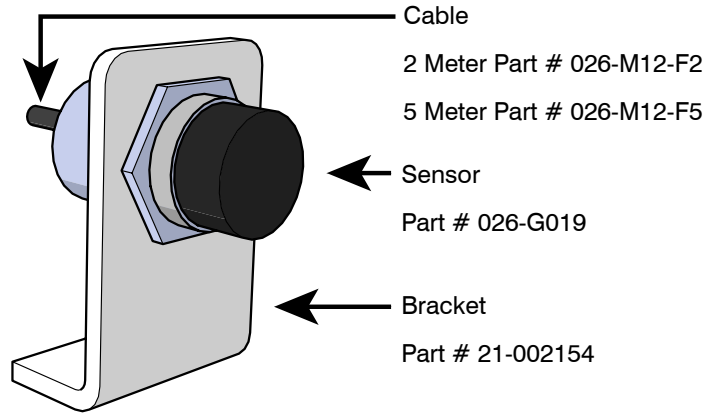
This section depicts the exterior junction box that connects the Interlock Chock and Exterior Traffic Lights to the wiring from the Blue Genius Control Panel



JUNCTION BOX ASSEMBLY			
ITEM #	QTY	PART #	DESCRIPTION
1	1	025-G020-1P	Junction Box 4 x 4
2	1	030-900-2	Terminal Blocks
3	1	025-016	Fitting SR-50-625 3/4in.
4	1	025-173	PG9 Cable Gland
5	1	025-176	PG9 Metal Locknut

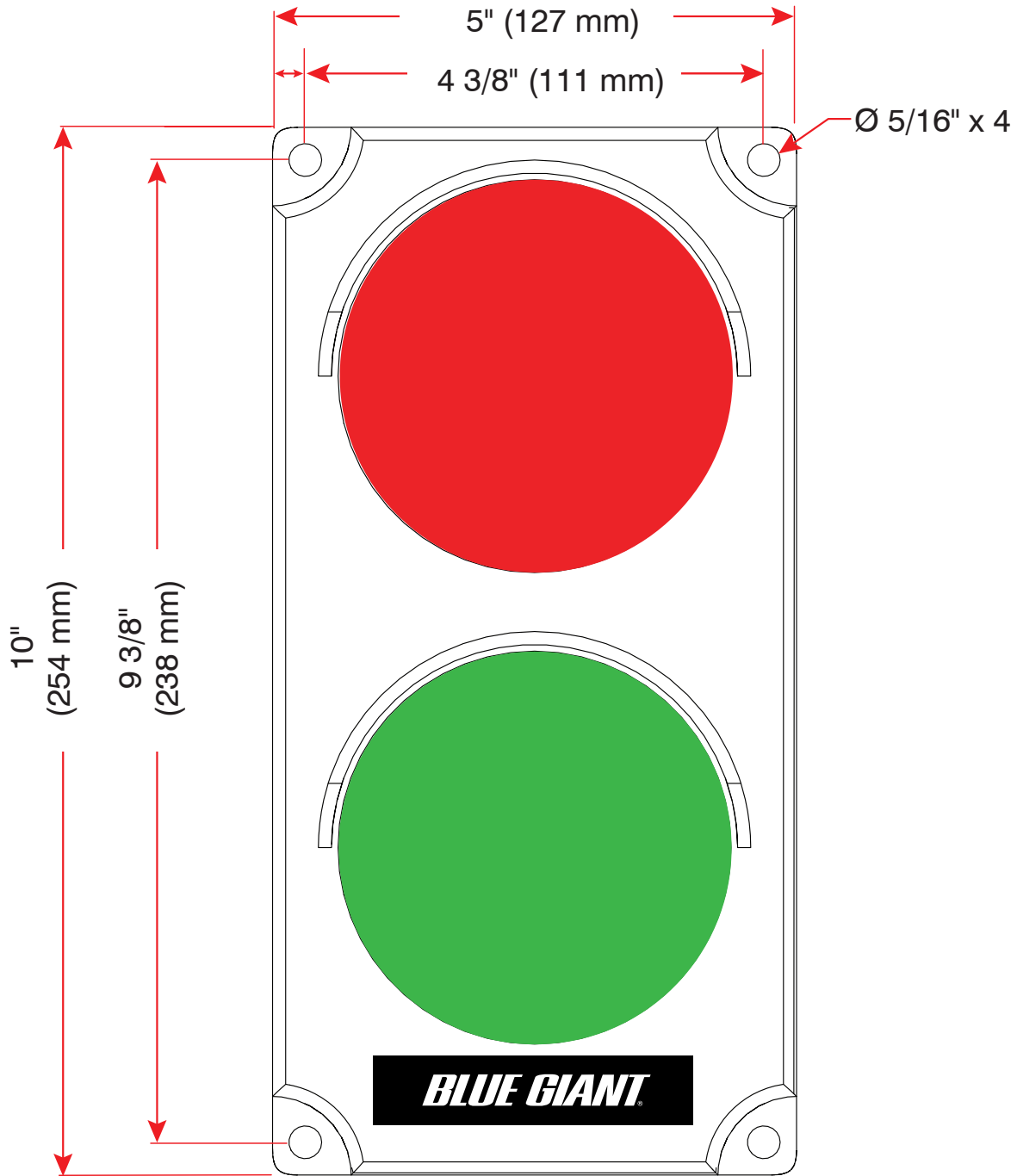
4.6 DOCK INTERLOCK SENSOR

- Ties sequence of vehicle restraint to dock leveler operation
- Loading dock safety is improved with accurate operation sequence
- Interior traffic light and vehicle restraint release operation relies on interlock capability
- Mounted at parked position of any leveler



5.0 EXTERIOR DRIVER TRAFFIC LIGHT

The exterior traffic lights improve loading dock safety.



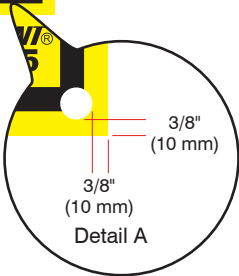
Exterior driver traffic light, part # 032-806.

5.1 EXTERIOR DRIVER WARNING SIGN

The exterior warning sign for drivers improves loading dock safety.



Exterior driver warning sign, part # 038-225
(French 038-225F / Spanish 038-225S / Portuguese 038-225P)



5.2 EXTERIOR OPERATING INSTRUCTION PLACARD

The Exterior Operation Placard (part # 038-1139E/F) for outside dock workers or drivers.



5.3 INTERIOR OPERATING INSTRUCTION PLACARD

The interior operating instruction placard for inside dock workers.

OPERATING INSTRUCTIONS

Only for the Blue Giant Interlock Chock™

A

1.

2.

PLACE WHEEL CHOCK
Standard and end loading follow the same procedure. Once the vehicle driver has placed the Interlock Chock, the Blue Genius Control Panel flashes AMBER.

1. Fully open the dock door.
While the door is opening, Blue Genius Control Panel will illuminate solid RED.
When the door is fully open, the Blue Genius Control Panel remains solid RED.

GOLD OR PLATINUM BG MENU DISPLAY SCREEN: **READY TO RAISE DECK**

2. Deploy dock.
While dock deploying, Blue Genius Control Panel illuminates solid RED.
When dock fully deployed, Blue Genius Control Panel illuminates solid Green.

GOLD BG MENU DISPLAY SCREEN: **DECK DEPLOYED**
PLATINUM BG MENU DISPLAY SCREEN: **LEVELER READY**

3. Proceed with loading or unloading.

B

1.

2.

3.

REMOVE WHEEL CHOCK

1. When loading or unloading is completed, restore dock to fully parked position.
When the dock leaves the deployed position and is parked, Blue Genius Control Panel illuminates solid RED.

GOLD BG MENU DISPLAY SCREEN: **WHEEL CHOCK IS ENGAGED**
PLATINUM BG MENU DISPLAY SCREEN: **CHOCK ENGAGED LEVELER RESTORED**

2. Close door completely.
Blue Genius Control Panel illuminates solid RED.

GOLD BG MENU DISPLAY SCREEN: **READY TO RELEASE**
PLATINUM BG MENU DISPLAY SCREEN: **READY TO RELEASE WHEEL CHOCK**

3. As driver restores chock, Blue Genius Control Panel illuminates solid RED.

GOLD BG MENU DISPLAY SCREEN: **RESTORE WHEEL CHOCK**
PLATINUM BG MENU DISPLAY SCREEN: **READY TO RELEASE WHEEL CHOCK**

4. Chock is back in cradle.
Blue Genius Control Panel remains solid RED.

GOLD OR PLATINUM BG MENU DISPLAY SCREEN: **BLUE GENIUS READY**

BLUE GIANT[®]
BLUE GIANT EQUIPMENT CORPORATION

Corporate 410 Admiral Blvd
Mississauga, ON, Canada L5T 2N6
t 905.457.3900 f 905.457.2313

USA 6350 Burnt Poplar Road
Greensboro, NC 27409
www.bluegiant.com