

## BG2-72

The BG2 combines the advantages of a counterbalanced forklift with exceptional maneuverability. The result is a versatile task support vehicle that performs a broad range of material handling functions.

### CAPACITY

- 1,500 lb (680 kg) at 24" LC on forks
- 300 lb (136 kg) operators compartment
- 200 lb (91 kg) rear work platform

### BATTERY INFORMATION

- Minimum battery weight: 700 lb (318 kg)
- Compartment dimensions: 32" x 11" x Open
- Connector: Anderson 175 Grey – A-11

### MAXIMUM LIFT HEIGHT

- 48" operator platform, 72" forks

### MAXIMUM SPEED

- **TRAVEL:** Variable from 0 mph to 4.5 mph
- **LIFT:** Up to 42 fpm

### WEIGHT

- 2,874 lb (1,304 kg)

### TIRES / WHEELS

- **DRIVE:** (1) 9" x 3" polyurethane
- **STABILITY:** (2) 3" x 2" polyurethane
- **LOAD WHEELS:** (2) 8" x 3" polyurethane

### ELECTRICAL

- Dual 24-volt ZAPI ACO travel and power steering controllers
- LCD dashboard displays hour meter, battery state, travel speed, and travel direction indicator
- AC drive motor
- Low-maintenance brushless design
- Selectable travel speed settings

### BRAKES

- Regenerative braking when coasting and plug braking
- Electromagnetic parking brake

### OPERATION / CONTROLS

- Ergonomic fingertip control for travel, lift, and lower functions
- Roomy operator compartment with ergonomic floormat, forward and backrest cushion



- Retractable compartment guard rails keep the operator secure
- On/off key switch and horn

### MAST

- Heavy-duty I-beam design
- Steel mast channels and side mounted lift cylinders

### CHASSIS

- Three-point chassis design
- 180° drive motor steering arc
- Powerhead mounted stability casters mounted on powerhead

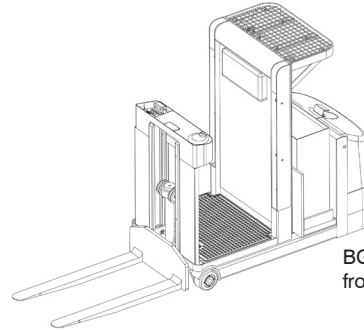
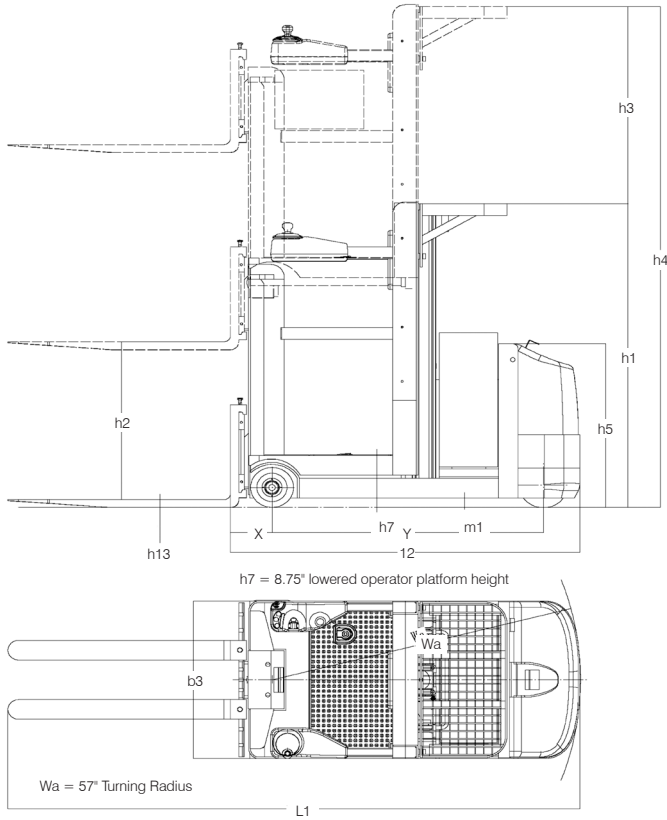
### STANDARD EQUIPMENT

- Non-marking tires
- Rear flashing light
- Battery compartment rollers
- Mini mast with 36" forks

### OPTIONAL EQUIPMENT

- 12-volt accessory power supply
- 24-volt industrial battery
- 24-volt external charger
- Forward controls
- 224 AH maintenance free battery pack with 110V plug-in charger

**BG2 DIMENSIONS**



BG2 -72 shown with optional front operator controls

**OPERATOR CONTROLS**



**Left Hand**  
360° Tiller Steering



**Right Hand**  
Travel, Lift, Lower, Key Switch and Controls

Model#	Mast	Lift Height		Col Height		Extended Height		Overall Width		Overall Length		Weight (Chassis Only*)	
		h2 + h3	h1	h4	h4	b3 / b1	L1						
BG2-72	Single Stage	72"	1,829mm	62.0"	1,575mm	102"	2,591mm	31.5	800mm	99.5"	2,527mm	2,874 lb	1,029 kg

\*Estimated shipping weight without battery.

