

# Powered Drive Straddle Truck

## BGS-25

Short turning radius makes it an excellent choice for narrow aisles, tool rooms or street level loading.

### CAPACITY

- 2500 lb (1134 kg) at 24" (610 mm) load center

### BATTERY

- 24-volt 224 AH AGM maintenance-free battery pack with built-in 110V AC charger
- Minimum battery weight: 340 lb (154 kg)
- AH capacity (min/max): 180/255
- Compartment dimensions (open w/ rollers): 26.4" x 9.1" (671 x 231 mm)
- Connector: SB-175 Gray—A-11

### SPEED

- ZAPI AC-0 travel controller
- **EMPTY:** 0 - 3.4 mph (5.5 kph)
- **LOADED:** 0 - 3.1 mph (5 kph)
- **LIFT - EMPTY:** up to 33 fpm
- **LIFT - LOADED:** up to 25 fpm with 2500 lb (1134 kg) load
- **LOWERING - EMPTY:** up to 29 fpm
- **LOWERING - LOADED:** up to 57 fpm with 2500 lb (1134 kg) load

### WEIGHT

- 1943 lb (881 kg) chassis only

### TIRES / WHEELS

- **DRIVE:** 9" x 3" (229 x 76 mm) polyurethane
- **DUAL LOAD:** (2) 3.9" x 2" (99 x 51 mm) polyurethane

### HYDRAULICS

- Hard chrome lift cylinder
- Pump unit including motor, gear pump, solenoid, and pressure compensated lowering valves that regulates lowering speed

### ELECTRICAL

- ZAPI AC-0 travel controller with AC drive motor provides high torque throughout entire drive range
- Low-maintenance brushless design
- Automatic resetting circuit breaker
- One piece micro switch design

### BRAKES

- Regenerative electromagnetic brake mounted on motor armature shaft, multiplying braking power through the transmission
- Brake is applied when control arm is in the vertical or horizontal handle position



- Reduced speed when forks above 12" (305 mm) fork height
- Neutral braking-anti-roll back on ramps

### OPERATION / CONTROLS

- Ergonomic operator handle with travel, lift, and lower functions
- Wrap-around guard
- Reversing switch
- Thumb control and horn
- Creep speed function while handle is at 1.5° back-tilt from vertical
- Gas-assisted spring handle
- Plexiglas safety screen

### TRANSMISSION

- Vertically mounted drive motor direct mounted to gear housing
- Oil-bathed ZF GK10 hypoid bevel gear drivetrain
- State-of-the-art optimized gear technology provides minimal envelope circle, zero maintenance, and low noise level

### FRAME AND MAST

- Bolt-on high-visibility I-beam construction
- Dual lifting chains
- 3" (76 mm) wide adjustable straddle legs
- Straddle leg inside dimension (ID) can be set at 38" (965 mm) to 50" (1270 mm) in 4" (102 mm) increments
- Class II ITA fork carriage with 36" (914 mm) tall load backrest

### BEARINGS

- **DRIVE WHEEL:** Tapered roller bearings sealed in oil bath
- **LOAD WHEELS:** Sealed ball bearings

**ACCESSIBILITY**

- Removal of two piece power head cover exposes major components for inspection and maintenance
- Drive wheel can be removed with one nut

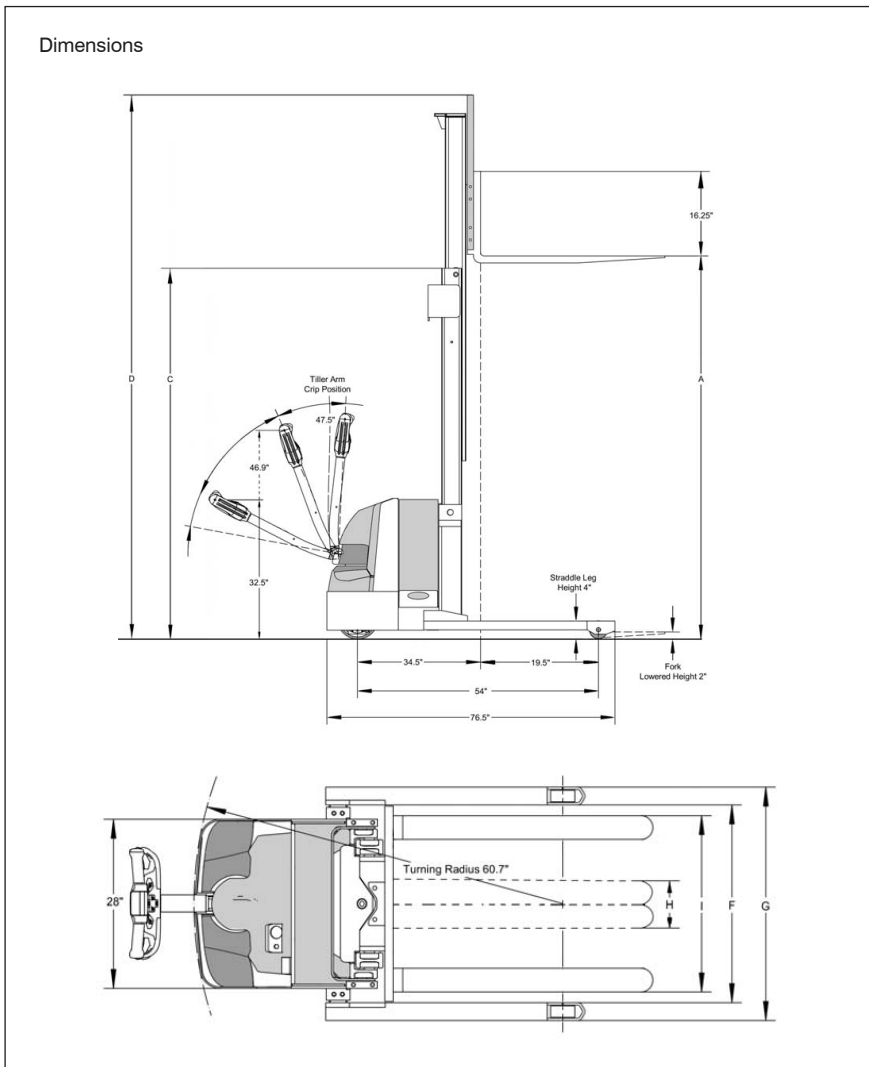
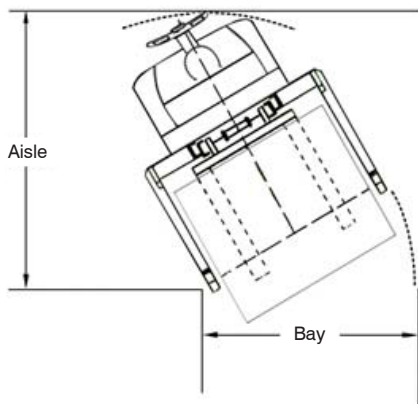
**OPTIONAL EQUIPMENT**

- 48" (1219 mm) tall load backrest
- Cold conditioning
- Industrial battery 255 AH 5.9 kWh

**Right Angle Stacking Aisle Dimensions**

Load Length	Load Width			
	36"	40"	42"	48"
36"	66"	66"	68"	69"
42"	66"	66"	68"	69"
48"	80"	80"	79"	77"

- Aisle dimensions listed have zero clearance
- Add 12" for ease of use.



**Note:** Aisle dimensions listed above assume the bay width to be straddled OD plus 2" (1" on either side of straddle leg). Straddled OD is the load width plus 8". \*For metric conversion multiply inches by 25.4.

Model#	Lift Height	Col Height	Free Lift	Ext Height w/LBR	Adj Straddle Leg (4" Increments)		Forks		Ship Weight w/o Battery
	A	C		D	ID	OD	ID	OD	
				F	G	H	I		

**2500 lb Capacity @ 24" Load Center ITA Class II Fork Carriage**

BGS-25-106	106"	71"	6"	142"	38 to 50"	44 to 56"	8"	30"	1726 lb
BGS-25-130	130"	83"		165"					1816 lb
BGS-25-157 ‡*	157"	71"	50"	193"	42 to 50"	48 to 56"			2156 lb

All units are built to be in compliance with the Occupational Safety & Health Act (OSHA).

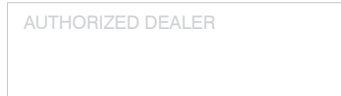
‡ Derate 500 lbs. above 142".  
\* Minimum straddled ID 42".

Blue Giant will not assume liability for injuries or damage arising from, or caused by, the removal of any safety devices from their vehicles by user. Because of the Blue Giant continuing product improvements, specifications are subject to change without notice.



**Corporate** 410 Admiral Blvd.  
Mississauga, ON, Canada L5T 2N6  
t 905.457.3900 f 905.457.2313

**USA** 6350 Burnt Poplar Road  
Greensboro, NC 27409  
[www.bluegiant.com](http://www.bluegiant.com)



Blue Giant offers a full line of dock levelers, dock safety equipment, seals and shelters, accessories, ergonomic and scissor lift equipment and industrial trucks. Concurrent with our continuing product improvement program, specifications are subject to change without notice. Please contact Blue Giant for latest information. Some features illustrated may be optional in certain market areas.