

**BLUE GIANT<sup>®</sup>**



# **PL4** AUTOMATIC PALLET POSITIONER



Improve  
productivity



Self-leveling  
requires no worker  
activation or input



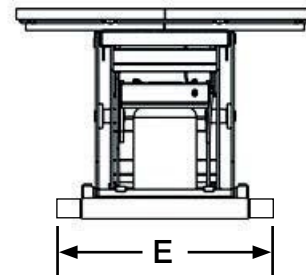
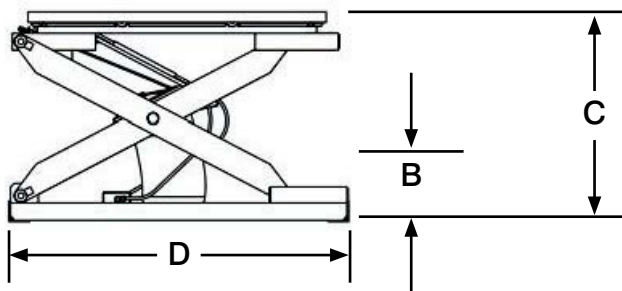
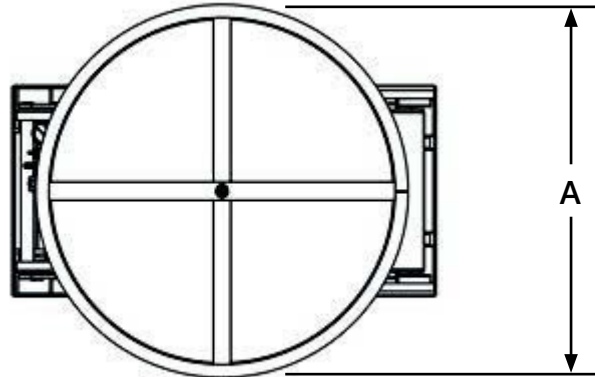
Reduce pallet  
loading/unloading  
time by up to 40%



Reduce  
worker fatigue

## PL4 Automatic Pallet Positioner Specifications

- A. Rotator Ring Diameter = 43.0 inches (1092 mm)
  - B. Lowered Height = 10.5 inches (267 mm)
  - C. Raised Height = 33.5 inches (851 mm)
  - D. Base Frame Length = 49.0 inches (1245 mm)
  - E. Base Frame Width = 24.3 inches (617 mm)
- Self-levels loads from 400 to 3,500 lbs (181 kg to 1,587 kg)  
 Maximum Load Capacity = 4,000 lbs (1,815 kgs)  
 Travel = 23 inches (584 mm)



<b>Helps prevent worker injury</b>	Brings top of the load closer to the worker, eliminating bending, reaching, and stretching
<b>Self-Leveling</b>	Automatically keeps the load at an ergonomic friendly working height
<b>Self-Contained</b>	Captive air system eliminates the need for constant air hookup or cumbersome mechanical springs
<b>Rotating Ring</b>	Provides near-side loading and eliminates reaching/stretching or the need to walk around the pallet
<b>Handles Heavy Loads</b>	Can handle loads up to 4,000 lbs (1,815 kg)