

BG675 HINGEMASTER™ EXTREME

FEATURES AND SPECIFICATIONS

The HingeMaster™ Extreme sets the benchmark in dock shelter innovation, delivering exceptional environmental control and robust durability for a variety of applications, helping facilities meet HACCP guidelines.

By combining the enhanced sealing capabilities of the HingeMaster™ with the advanced Rain Shroud Max (BG910) header, this shelter creates a continuous, high-performance barrier that effectively protects against rain, dust, wind, and pests.

The HingeMaster™ innovative J-Hooks seal the swing door hinge gaps, while the Rain Shroud Max efficiently deflects rainwater, keeping dock area dry and safe for ongoing operations. Designed to handle the impact of misaligned trucks, HingeMaster™ side frames retract on impact, preserving the integrity of the unit while providing unobstructed access to the trailer interior.

This seamless integration ensures that facilities maintain regulated conditions, reduce energy costs, and support uninterrupted workflows — even in the harshest weather conditions.

STANDARD FEATURES:

- The self-adjusting weighted foam pad ensures a tight seal against rainwater and accommodates up to 12-inch variance in trailer heights, providing effective coverage and allowing customization based on specific dock requirements.
- Curtains are made from TearResist™ Vinyl and include fiberglass supports which complete the seal and maintain continual pressure against the trailer.
- Replaceable polypropylene J-Hooks sealing the swing open door hinge gaps and minimizing white space
- Steel header frame with PowderCoat™ finish and galvanized top sheet metal
- Two vertical foam side pads designed to withstand trailer impact
- Replaceable vertical curtains, enabling easy maintenance
- Reinforced wear flaps on the head curtain
- Replaceable foam bottom draft pads sealing gap between truck and building
- Reinforced double layer on bottom of side curtains
- High-visibility yellow guide stripes
- Galvanized mounting brackets and hardware †

ADDITIONAL OPTIONS INCLUDE:

- Extra projection
- Wood build-out box
- Additional drop in head curtain
- Gussets in head curtain to relieve tension
- Tapered side pads to suite driveway slope
- Galvanized steel head frame
- Additional width on head curtain
- ArmorShield™ reinforced wear flap
- Pressure-treated wood back board
- Steel backer for side pads
- Wall mounted reflective guides (strongly recommended)



BG675 HingeMaster™ Extreme

For maximum value and performance, the BG675 can be constructed from our premium durability fabrics (see chart for materials, weights, and available colors).

FABRIC AND COLOR SELECTION:

TearResist™ Fabric

22oz Vinyl Fabric	■	■	■	■
40oz Vinyl Fabric	■	■	■	■
45oz Extreme Vinyl Fabric	■			
50oz Vinyl Fabric	■			

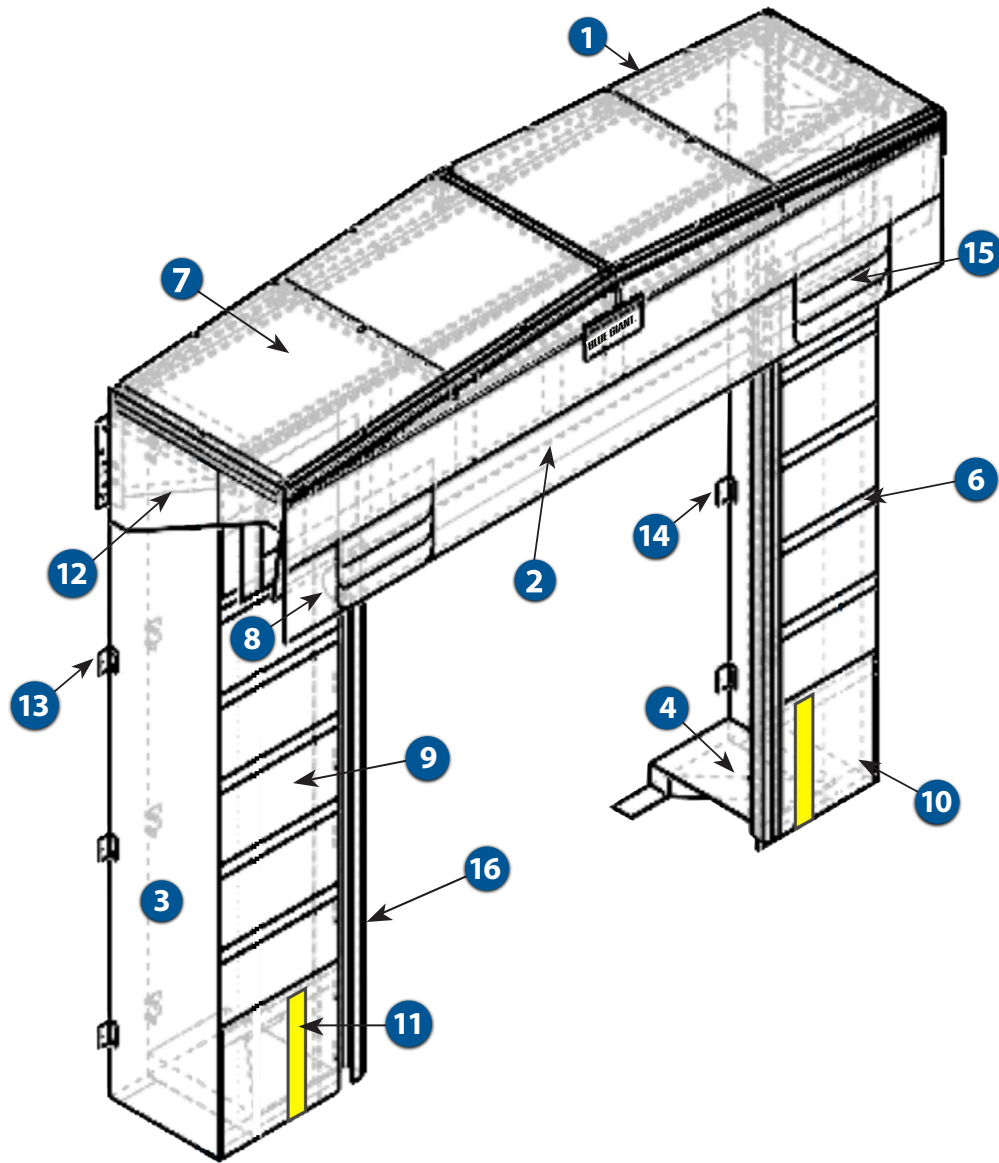
TearResist™ Flex Fabric

50oz Poly Rubber Fabric	■			
-------------------------	---	--	--	--

ArmorShield™

109oz Vinyl Fabric*	■			
---------------------	---	--	--	--

*Optional Material only for High Impact Zones (15)



No.	DESCRIPTION
1	Steel header frame with PowderCoat™ finish
2	Protective Shield
3	Vertical base pad †
4	Bottom draft pad
5	Wood back board † (kiln dried)
6	Plastic-capped 3M stays
7	Galvanized sheet metal
8	Weighted foam pad (behind 2)
9	Side curtain
10	Double layer of fabric x 24" high *
11	4" x 24" yellow guide stripe
12	Galvanized side support bracket
13	Angled brackets
14	Angled brackets (optional flat brackets)
15	Wear flaps
16	Replaceable polypropylene J-hooks

*Some items displayed may be optional

† Not shown on drawing

BLUE GIANT
BLUE GIANT EQUIPMENT CORPORATION

Corporate 410 Admiral Blvd
Mississauga, ON, Canada L5T 2N6
t 905.457.3900 f 905.457.2313

USA 6350 Burnt Poplar Road
Greensboro, NC 27409
www.bluegiant.com

AUTHORIZED DISTRIBUTOR

Blue Giant offers a full line of dock levelers, dock safety equipment, seals and shelters, accessories, ergonomic and scissor lift equipment and industrial trucks. Concurrent with our continuing product improvement program, specifications are subject to change without notice. Please contact Blue Giant for latest information. Some features illustrated may be optional in certain market areas.

If calling within North America: t 1.800.872.2583 f 1.888.378.5781

SS-HME-112024 ©Copyright Blue Giant Equipment Corporation 2024