

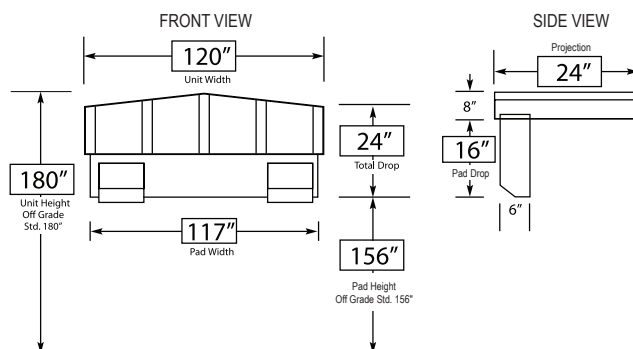
Economical and high performance, the BG900 series rain shroud keeps rain water out of the loading dock area.

Benefits

- SAVE hundreds of dollars in reduced energy costs
- IMPROVE working conditions by keeping dust, dirt, debris and insects out
- PROTECT product and personnel from harsh weather conditions
- INCREASE productivity by providing a safe and comfortable working environment
- DURABLE range of Hi-Performance fabrics to choose from
- CUSTOM sizes available



Standard Size Specifications

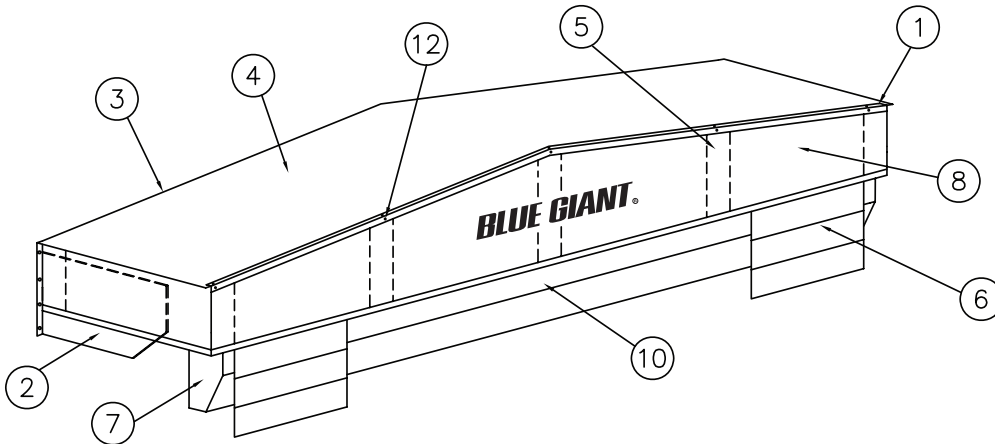


Blue Giant's BG900 rain shroud can be retrofitted to your existing unit to keep rain water out of the loading dock area.

A foam wiper blade design creates a tight seal against the top of the trailer to keep rain water out of the loading dock area.

This economical design is virtually maintenance free with no mechanical parts to wear out.

Blue Giant offers a wide variety of custom solutions to satisfy your dock requirements.



NO.	DESCRIPTION
1	GALVANIZED TRIM ANGLE
2	GALVANIZED SIDE SUPPORT
3	PRESSURE TREATED WOOD FRAME
4	POLYETHYLENE SHEETING
5	STIFFENERS
6	10" x 20" WEAR FLAPS
7	FOAM PAD
8	STORAGE CURTAIN
9	3/8" x 3" SLEEVE ANCHOR
10	DOUBLE LAYER OF FABRIC
11	3/8" x 1-7/8" SLEEVE ANCHOR
12	# 14 x 1-1/2" WOOD SCREWS Z/P

Keep Water Out Before It Becomes A Problem

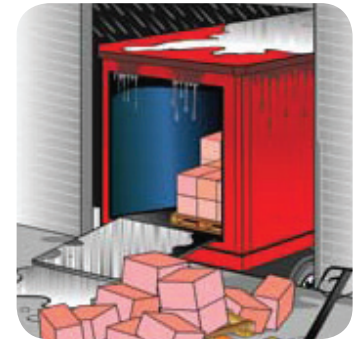


Decline approach

- Eliminate wet and slippery conditions in the loading dock area that can jeopardize employee safety
- Increase employee comfort and productivity
- Blue Giant's rain shroud diverts water off the truck and away from the loading dock area
- Decline approach drive-ways and yard jockeys can increase water flow into your building off the top of trailer.



Water infiltration onto the loading dock area can lead to wet and slippery floors which can be dangerous to personnel.

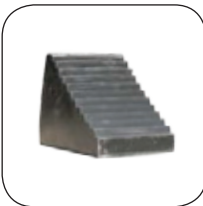


Product damage can occur from water dripping onto your product.

Customize Your Dock To Suit Your Specific Needs



Dock Lights



Wheel Chocks



Bumpers

Fabric and Colour Selection

Blue Giant can customize your dock seal with the ideal fabric for your application from a wide range of colours and fabrics available.

- 14 oz Hi-Tear Vinyl
- 22 oz Hi-Tear Vinyl
- 32 oz Hi-Tear Vinyl
- 40 oz Hi-Tear Vinyl
- Hi-Performance Arctic Seal
- 16 oz Hi-TearHypalon
- 40 oz Hi-Performance Hypalon



85 Heart Lake Road South
 Brampton, Ontario, Canada L6W 3K2
 Phone: 905-457-3900 · Fax: 905-457-2313
 www.BlueGiant.com

AUTHORIZED DISTRIBUTOR

BLUE GIANT EQUIPMENT CORPORATION

BLUE GIANT offers a full line of dock levelers, dock safety equipment, accessories, ergonomic and scissor lift equipment and industrial trucks. Concurrent with our continuing product improvement program, specifications are subject to change without notice. Please contact BLUE GIANT for latest information. Some features illustrated may be optional in certain market areas.