

Operator friendly with no lifting involved...

...simple, easy "pull-push" operation.

Features

- Deck and lip operation assisted by balanced spring lifting system
- Smooth top plate transition
- Comfort grip operating handle
- Lifting hole in lip allows for quick and easy handling by installer

Structural Integrity

- Deck and lip plates made of premium grade 50,000 psi minimum yield diamond tread plate
- Heavy-duty 3/8" x 6" (9.65 mm x 152 mm) back beam
- One-piece, continuous front and rear hinge pins for enhanced strength and durability
- Lip bevel helps protect material handling equipment steering systems and cargo
- Two (2) molded rubber bumpers bolted onto heavy-duty steel block extensions, to help protect building and dock from damage

Operation

- Easy to deploy, less effort "operator maintains balanced control"
- Working range capability of 5" (127 mm) above and 5" (127 mm) below dock level
- Self-storing upon truck departure



Ease of Service

- Comfort grip handle has secondary use as maintenance stand
- Grease fittings on 25,000 lb (11,363 kg) and 30,000 lb (13,636 kg) capacities to minimize operational friction
- Field adjustability for kicker bar and spring tension

Associated products

- Vehicle restraint systems
- Light communication systems
- Wheel chocks

The MD-CM Series edge-of-dock leveler from Blue Giant is ideally suited for applications where installation of pit levelers is not feasible or where standard fleet bed heights are serviced at the loading dock. The MD-CM Series is easily installed to the dock face providing an efficient self storing docking unit, replacing cumbersome dock plates.



Stored traffic position



Insert comfort grip handle



Pull back



Push forward

To meet OSHA and ANSI requirements and to minimize legal/insurance issues, the use of wheel chocks (at a minimum) is mandatory anytime equipment is used at the dock to load/unload vehicles. However, with the high lifetime cost of wheel chocks and their limited effectiveness, we recommend the combined use of vehicle restraints and wheel chocks as the accepted method of securing trucks to the dock. Blue Giant provides leading technology in manual and/or power activated vehicle restraints. Maximize your employee safety while providing your company a modern, safe loading dock area.

MD-CM Series Mechanical Edge-of-Dock

Mechanical edge-of-dock shall be Model _____, unit nominal size to be _____ wide x _____ long, as provided by Blue Giant Equipment Corporation, 410 Admiral Blvd, Mississauga, ON - Canada L5T 2N6.

Standard Construction Features

- 15" (381 mm) lip with bevel edge
- Hole in lip to help with easy handling and installation
- Welding procedure compliant with A.W.S.D.1.98 specifications
- Deck and lip constructed out of high tensile steel
- Four way diamond tread plate
- Two (2) molded rubber dock bumpers 10" W x 13" H x 4" D (254 mm x 330 mm x 102 mm) mounted to heavy-duty bumper blocks

Mechanical Operating System

Provides quiet, dependable and smooth cycling.

1. Insert the operating handle deck and side pocket.
2. Pull the comfort handle back; the spring-assisted deck raises to a vertical position.
3. Pushing the handle forward lowers the deck, and lip automatically extends onto trailer.

Lip Operation

Lip automatically extends as unit is lowered onto truck bed and returns to stored position upon truck departure. The length of the lip shall not be less than 15" (381 mm).

Automatic Vertical Compensation and Travel

Unit provides float up to 5" (127 mm) above and below dock level.

Automatic Lateral Compensation

Leveler shall have deck flex to compensate for canted (out of level) truck beds.

Rated Capacity

- 20,000 lb (9090 kg)
- 25,000 lb (11,363 kg)
- 30,000 lb (13,636 kg)

Optional Features

- 17" (432 mm) lip
- Flat lip

Serviceability

- Comfort grip handle has secondary use as maintenance stand
- Grease fittings provided on 25,000 lb (11,363 kg) and 30,000 lb (13,636 kg) units
- Field adjustability for kicker bar and spring tension

Finish and color

- Unit to be painted gray

MODEL	CAPACITY	DECK SIZE (W x L)
<input type="checkbox"/> MDC66__M	<input type="checkbox"/> 20,000 lbs (9,090 kg) <input type="checkbox"/> 25,000 lbs (11,363 kg)	66" x 27" (1676 mm x 686 mm)
<input type="checkbox"/> MDC72__M	<input type="checkbox"/> 30,000 lbs (13,636 kg)	72" x 27" (1828 mm x 686 mm)
<input type="checkbox"/> MDC7825M	<input type="checkbox"/> 25,000 lbs (11,363 kg)	78" x 27" (1981 mm x 686 mm)

Warranty

Standard one-year parts and labor warranty from date of shipment. Warranties are subject to standard limitations on liability. Please consult Blue Giant warranties at <http://www.BlueGiant.com> for full details on warranty information and product registration.

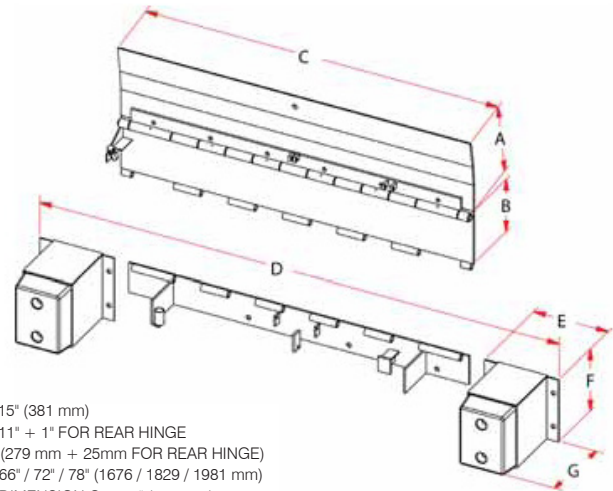
Installation Accessories

- Approach ramps
- Face plates
- 8" (203 mm) Pour-in channel

Optional Products

- Vehicle restraint systems
- Communication systems
- Wheel chock systems

Nominal Dimensions



- A = 15" (381 mm)
- B = 11" + 1" FOR REAR HINGE
(279 mm + 25mm FOR REAR HINGE)
- C = 66" / 72" / 78" (1676 / 1829 / 1981 mm)
- D = DIMENSION C + 34" (864 mm)
- E = 15 1/2" (394 mm)
- F = 13" (330 mm)
- G = 16" (406 mm)

- Note:**
1. Recommend minimum 8" (203 mm) structural concrete embedment (pour-in) channel, installed by others. Some components are not illustrated. Mounting anchors are not included.
 2. Working range reduced by 2" (51 mm) when ordered with 17" (432 mm) lip and/or flat lip option.

