

APPLICATION REVIEW RESTRAINTS

DEALER: _____

NAME: _____

DATE: _____

END USER: _____

DOOR: _____

BUILDING WALL TYPE / MOUNTING SURFACE BRICK CONCRETE METAL SHEETING

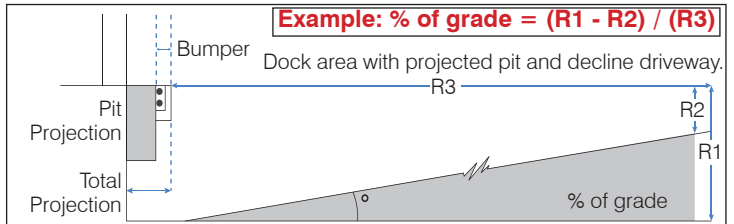
EXISTING VEHICLE RESTRAINT Yes No
 IS PIT FLOOR CONCRETE (OR DOCK FLOOR IF NO PIT) Yes No
 IS PIT FLOOR BRACKET IN PLACE (HVR303 ONLY) Yes No

MANUFACTURER: _____ MODEL: _____

Restrict general access to the dock leveler and loading dock area. Observing all appropriate safety precautions, secure a 50 ft. string line to the dock leveler floor or the top of the lip spool when the dock leveler is in the cross-traffic position. Walk out a distance of 50 ft. and measure the vertical drop to grade. Use level for accurate height measurement.

Sloped Driveway Grade Calculation

LEVEL INCLINE DECLINE

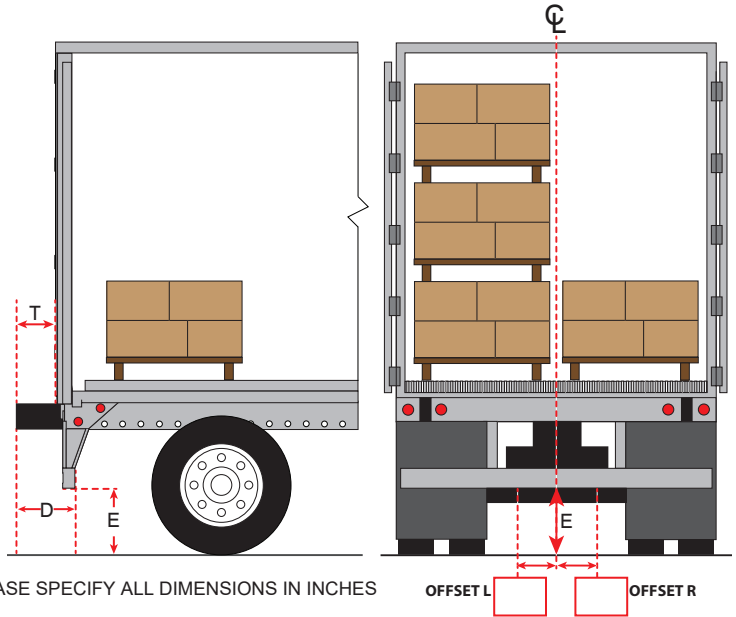


DOCK HEIGHT (R1) =	RISE (R2) =
RUN (R3) = (600" SUGGESTED)	% GRADE = (R1-R2)/(R3)X100%

PLEASE SPECIFY ALL DIMENSIONS IN INCHES

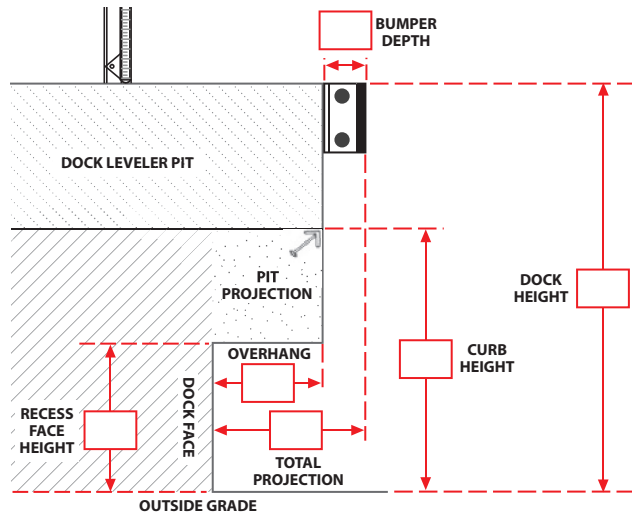
TRUCK INFORMATION:

DIMS	TRUCK 1	TRUCK 2	TRUCK 3
D =			
E =			
L (if E is offset) =			
R (if E is offset) =			
T =			
OB =			
OG =			



PLEASE SPECIFY ALL DIMENSIONS IN INCHES

OFFSET L OFFSET R



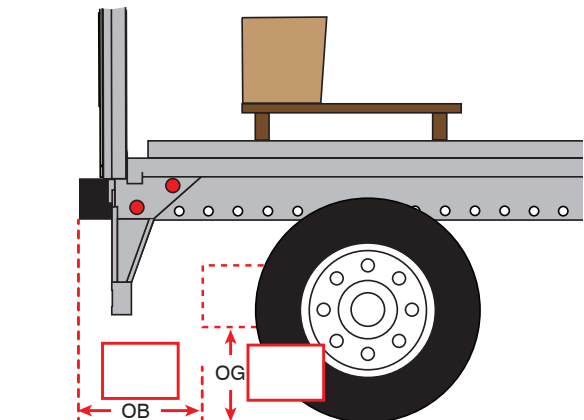
SIDE / CROSS SECTION VIEW

OIL UPGRADE ARCTIC BIODEGRADABLE

VOLTAGE

110-115V 1PH/60Hz 220-240V 1PH/60Hz 220-240V 3PH/60Hz 440-480V 3PH/60Hz 575-600V 3PH/60Hz

Other Voltage



TAKE PICTURES! EACH PICTURE IS WORTH A 1000 WORDS.