

DEALER: \_\_\_\_\_ NAME: \_\_\_\_\_ DATE: \_\_\_\_\_

END USER: \_\_\_\_\_ DOOR: \_\_\_\_\_

TOTAL LOAD:	
Max. Load Weight (LBS)	Vehicle Weight (LBS)
Total Load = Load Weight + Vehicle Weight	

MATERIAL HANDLING EQUIPMENT USED	
<input type="checkbox"/> Manual Pallet Truck: 3%	<input type="checkbox"/> Electric Pallet Truck: 7%
<input type="checkbox"/> Electric Forklift: 10%	<input type="checkbox"/> Gasoline Fork Truck: 15%
% indicates recommended grade	

FORK TRUCK INFO	
<input type="checkbox"/> 4 Wheel	<input type="checkbox"/> 3 Wheel
<input type="checkbox"/> Solid Tires	<input type="checkbox"/> Pneumatic Tires

### DAILY LOAD CYCLES / USAGE

NUMBER OF FULL TRUCK LOADS/DAY	NUMBER OF CYCLES	CHECK ONE
1-8	[1-200]	<input type="checkbox"/>
9-16	[201-400]	<input type="checkbox"/>
17-24	[401-600]	<input type="checkbox"/>
>24	[>600]	<input type="checkbox"/>

Number of Trucks per shift:

Light (1-3)       Moderate (4-8)       Heavy (over 8)

Number of shifts per day:

One       Two       Three

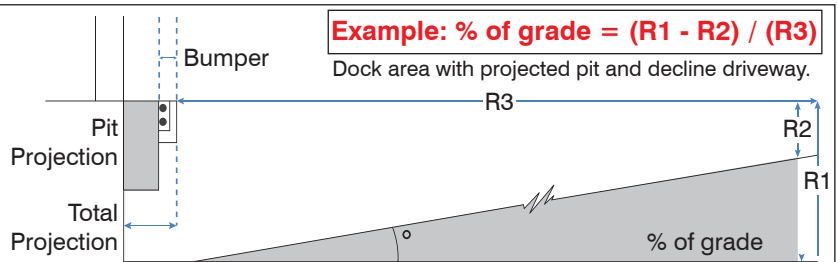
Speed Of Fork Truck:

Under 5mph       Over 5mph

### Sloped Driveway Grade Calculation

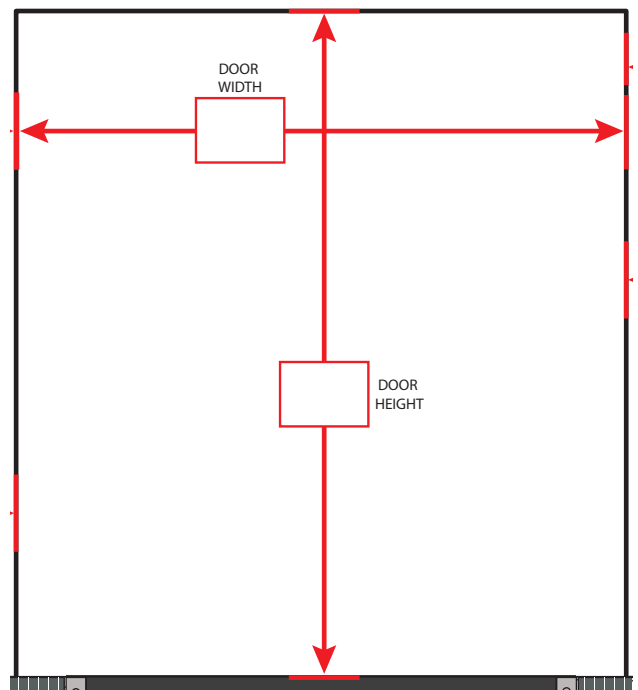
LEVEL       INCLINE       DECLINE

DOCK HEIGHT (R1) =	RISE (R2) =
RUN (R3) = (600" SUGGESTED)	% GRADE = (R1-R2)/(R3)X100%



Restrict general access to the dock leveler and loading dock area. Observing all appropriate safety precautions, secure a 50 ft. string line to the dock leveler floor or the top of the lip spool when the dock leveler is in the cross-traffic position. Walk out a distance of 50 ft. and measure the vertical drop to grade. Use level for accurate height measurement.

PLEASE SPECIFY ALL DIMENSIONS IN INCHES



Do you require end loading?       Yes       No

Biodegradable oil application?       Yes       No

Arctic oil application?       Yes       No  
(Temp. remains below -20°C/-4°F)

### VOLTAGE

110-115V 1PH/60Hz       220-240V 1PH/60Hz       220-240V 3PH/60Hz       440-480V 3PH/60Hz       575-600V 3PH/60Hz

Other Voltage

**TAKE PICTURES! EACH PICTURE IS WORTH A 1000 WORDS.**

**DOCK OPTIONS:**

(Check all that apply)

- Vehicle restraint
- Draft pad
- Low temperature oil (Arctic oil)
- Grease fittings on spool
- Stainless steel hinge pin
- Stainless steel lip pin

**CONTROLS OPTIONS:**

(Check all that apply)

- Advanced light package
- Door control
- Rotary disconnect
- Mushroom stop button
- Transformer
- Master key

**PIT DIMENSIONS**

STANDARD PIT DEPTH	Front (H) 20" (508 mm)	
	Rear (H1) 19.5" (495 mm)	
PIT TO DECK WIDTH	$W_{(pit)} = W_{(deck)} + 2" (51 mm)$	
PIT TO DECK LENGTH	$L_{(pit)} = L_{(deck)}$	
H	H1	W
L	S1	S2

**DOCK FACE / RESTRAINT MOUNTING SURFACE**

DESCRIBE (E.G. CONCRETE\*, BRICK, ETC.)

\_\_\_\_\_

PLEASE SPECIFY ALL DIMENSIONS IN INCHES

**PIT SQUARE WITHIN 0.25"**

- YES       NO

**CONCRETE CONDITION**

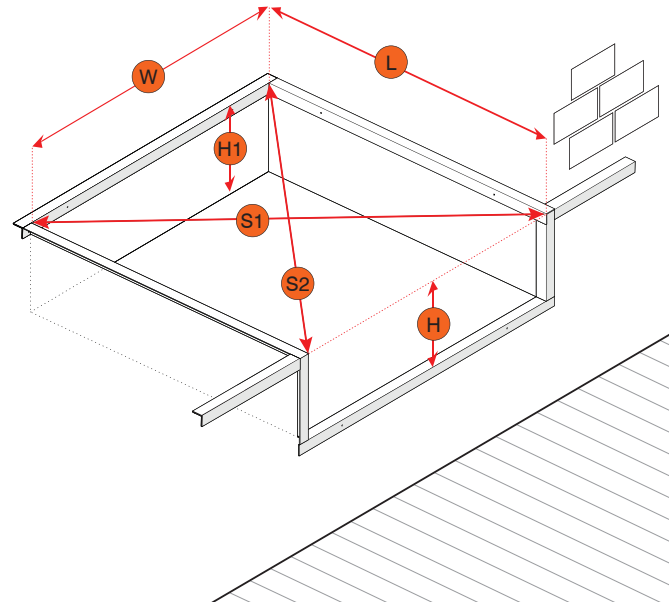
- GOOD       POOR

**CURB ANGLE CONDITION**

- GOOD       POOR

**CURB ANGLE CONFIGURATION (PIECES)**

- FOUR       SIX       EIGHT



\*Concrete must be minimum 8" (203 mm) thick.

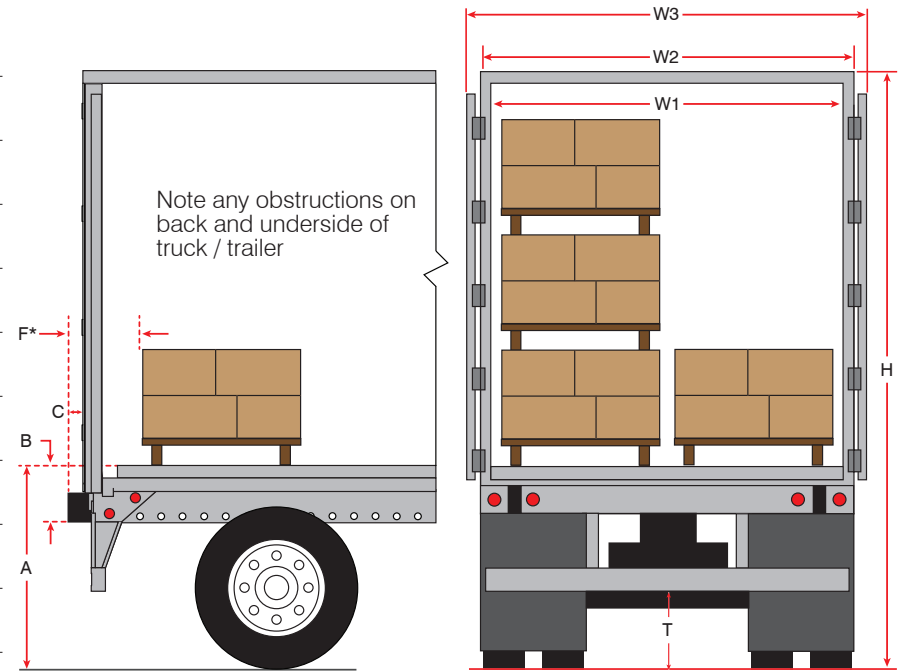
S1 must be equal to S2 within 0.125" - 0.25" squareness tolerance.

\*8 Piece curb angle set shown.

**TAKE PICTURES! EACH PICTURE IS WORTH A 1000 WORDS.**

Truck Information

DIMS	TRUCK 1	TRUCK 2	TRUCK 3
A =			
B =			
C =			
F =			
H =			
T =			
W1 =			
W2 =			
W3 =			



PLEASE SPECIFY ALL DIMENSIONS IN INCHES

\*Minimum of 4- 6" required for lip overlap. If lip overlap is not achievable, end loading is suggested.

FULL HEIGHT ACCESS REQUIRED

YES  NO

FULL WIDTH ACCESS REQUIRED

YES  NO

YARD JOCKEYS USED (SHUNT TRUCK)

YES  NO

REFRIGERATED TRUCKS USED

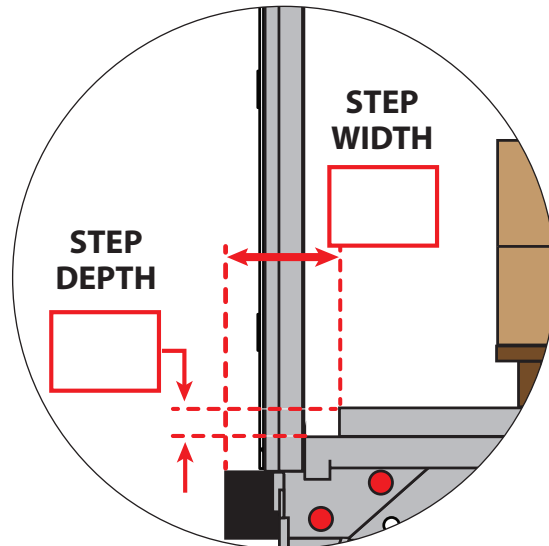
YES  NO

TRUCK WITH LIFT GATE/TAILOUT USED

YES, Provide T.  NO

TRUCK / TRAILER DOOR TYPE

HINGED  ROLL-UP  OTHER



PLEASE SPECIFY ALL DIMENSIONS IN INCHES

TRUCK WITH REAR STEPS

YES  NO

**TAKE PICTURES! EACH PICTURE IS WORTH A 1000 WORDS.**

**TAKE PICTURES! EACH PICTURE IS WORTH A 1000 WORDS.**