

DEALER: _____

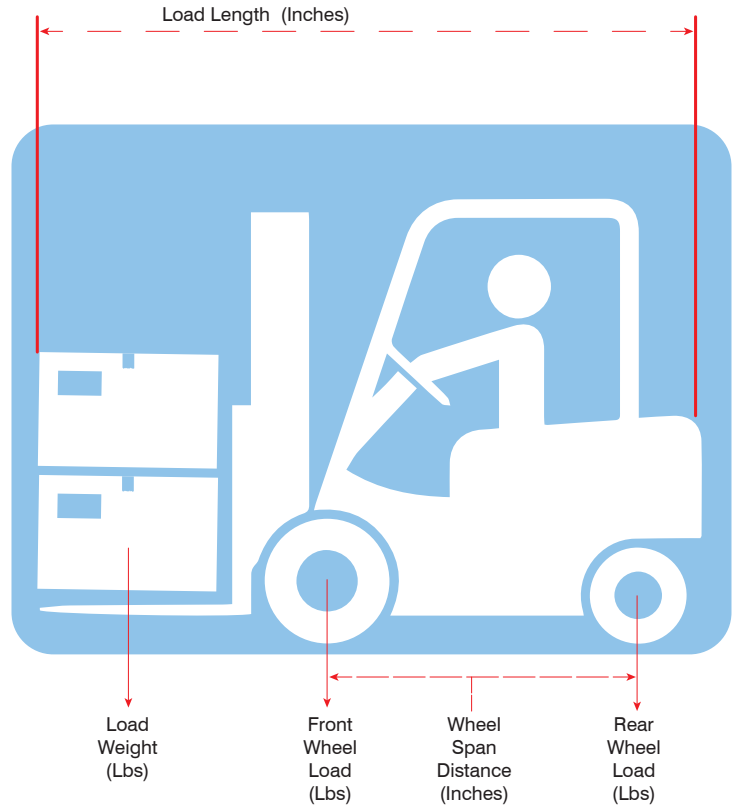
NAME: _____

DATE: _____

END USER: _____

DOOR: _____

Max. Load Width (inches)	Max. Load Length (inches)	Max. Load Weight (Lbs)
Fork Lift Weight (Lbs)	Fork Lift Capacity (Lbs)	
Front Wheel Load (Lbs)	Rear Wheel Load (Lbs)	Wheel Span (inches)
Vertical Travel Required (inches)	Truck Bed Height (inches)	
Determining Lift Capacity = Load Weight + Vehicle Weight + 250 lbs. (approx.) Operator		



- Stationary Load (Pallets)
- Rolling Load (Wheels)
- Pit Mount
- Floor Mount (Check one)
- 4 Sided Pit
- 3 Sided Pit (Check one)
- Fork Truck
- Pallet Truck

Ground Access Required? Yes No

DAILY LOAD CYCLES

NUMBER OF CYCLES PER DAY	CHECK ONE
1-8	<input type="checkbox"/>
9-16	<input type="checkbox"/>
17-24	<input type="checkbox"/>
>24	<input type="checkbox"/>

How many skids/objects to fit on the deck of the dock lift?

Calculate the Lip Length.

Measure the distance from the elevating dock to the truck bed and add four (4) inches for overlap. (see illustration on the right)

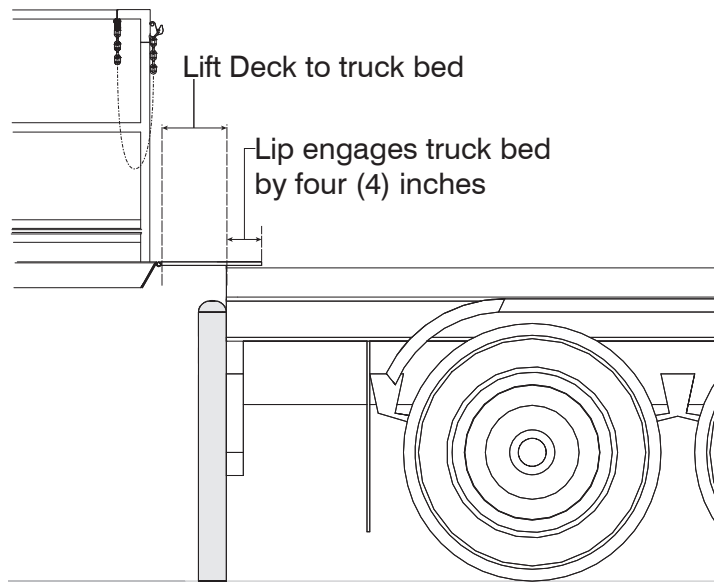
How is lip raised?

- Manually
- Powered/Assisted

VOLTAGE

- 110-115V
1PH/60Hz
- 220-240V
1PH/60Hz
- 220-240V
3PH/60Hz
- 440-480V
3PH/60Hz
- 575-600V
3PH/60Hz

Other Voltage _____



TAKE PICTURES! EACH PICTURE IS WORTH A 1000 WORDS.

LIP OPTIONS:

- No Lip
- Manual Lip
- Spring Assist Lip
- Hydraulic Assist Lip

LIP LAYOUT:

- Side A
- Side B
- Side C
- Side D

GUARD RAILS:

- Side A
- Side B
- Side C
- Side D

PERSONAL RESTRAINT CHAINS:

- Side A
- Side B
- Side C
- Side D

GATES:

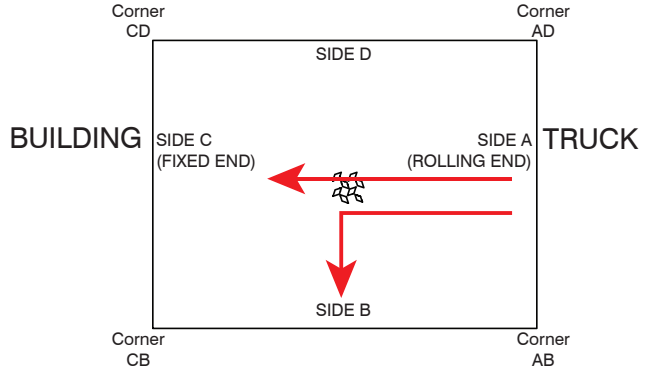
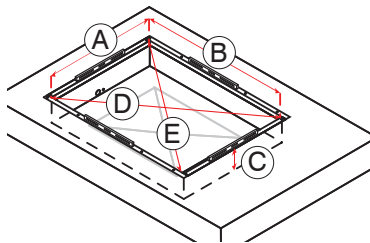
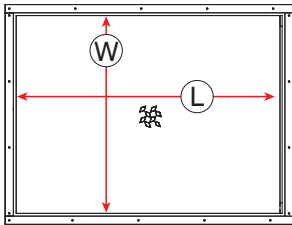
- Side A
- Side B
- Side C
- Side D

SAFETY SKIRT

- All Sides (STD)
- Side A
- Side B
- Side C
- Side D

CONTROLS OPTIONS:

- Hand Held
- Post Mount on deck
- Corner AB
- Corner AD
- Corner CB
- Corner CD



TRAFFIC DIRECTION

- Option 1: Load/Unload Straight [A -> C]
- Option 2: Load/Unload 90 Degrees [A -> B]
- Other: Please specify: _____

OPTIONS:

(Check all that apply)

- Accordion safety skirt
- Low temperature oil (Arctic Oil)
- Non-Interlocking swing gates
- Lock-out valve [W.O.G. valve] (used when storing in up position)
- Manual load lowering valve (used in power failure)
- Return line oil filter
- Maintenance Stand
- Galvanized finish
- Weather resistant cover
- Mechanical pop-up run-off guard *
- Deck Extensions
- Electric toe guard protection
- Immersion heater for oil reservoir
- Key switch on push button
- Push button on coil cord
- Deck mounted push button control
- Interlocking swing gates
- Horn (Motion indicating)
- Flashing amber light (Motion indicating)
- E-Stop
- OHD interlock
- Traffic light package
- Lower travel limit switch
- Quick Disconnect push button

*Only up to 6K capacity lifts, hand pallet trucks only, 4" high roll over guard, no impact

EXISTING DECK DIMENSIONS

Deck width	W =
Deck length	L =

EXISTING PIT DIMENSIONS

Pit width	A =
Pit length	B =
Pit depth	C =
Distance of opposite corners, S1	D =
Distance of opposite corners, S2	E =

PLEASE SPECIFY ALL DIMENSIONS IN INCHES

TAKE PICTURES! EACH PICTURE IS WORTH A 1000 WORDS.