

DEALER: \_\_\_\_\_ NAME: \_\_\_\_\_ DATE: \_\_\_\_\_

END USER: \_\_\_\_\_ LOCATION: \_\_\_\_\_

**PRODUCT HANDLED:** \_\_\_\_\_

**LOAD DISTRIBUTION:**

Even  Other

WIDTH: (inches)	LENGTH: (inches)
HEIGHT: (inches)	MAX. LOAD WEIGHT: (Lbs)

LIFT TABLE QUANTITY:	
LIFT TABLE CAPACITY: (Lbs)	
PLATFORM SIZE: (inches)	WIDTH:
	LENGTH:

**PIT INSTALLED:**

Yes (toe protection required)  No (floor mount)

LOWERED HEIGHT (A):	
TOTAL TRAVEL (B)	
RAISED HEIGHT (C)	

**LIMIT SWITCH:**

Yes  Up  Down

**LIFT SPEED:**

With Load:	Without load:
<b>OR</b>	
TRAVEL TIME UP: (Secs)	TRAVEL TIME DOWN: (Secs)

**DUTY CYCLES:**

\_\_\_\_\_  Per Hour  Per Week  
 Per Day  Intermittant

**CONTROLS:**

NEMA Class  Remote Push Button  Foot

Other (specify) \_\_\_\_\_

**HOW IS LIFT LOADED:**

Over  End  Side  Raised  Lowered

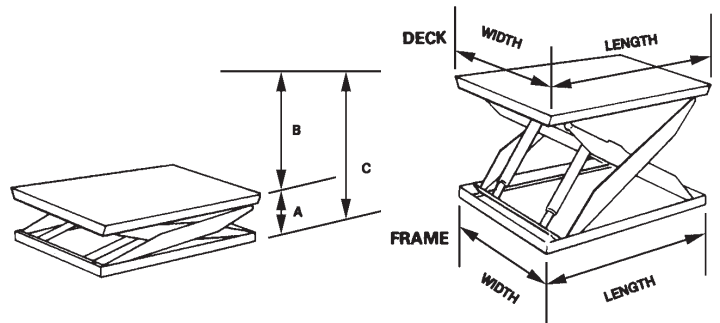
**HOW IS LIFT OFF LOADED:**

Over  End  Side  Raised  Lowered

**MATERIAL HANDLING EQUIPMENT:**

Pallet Truck  Overhead Crane  
 Forklift  Other

Specify Other: \_\_\_\_\_



**VOLTAGE:**

110-115V 1PH/60Hz  220-240V 1PH/60Hz  220-240V 3PH/60Hz  440-480V 3PH/60Hz  575-600V 3PH/60Hz

Other Voltage \_\_\_\_\_

**POWERPACK:**

Remote  Internal  
 Hydraulic  Pneumatic

**DECK DESIGN:**

Smooth Deck  Diamond Tread  Handrails Where  
 Turntable Size  Tilt Top Degrees  
 Conveyor

**SAFETY FEATURES:**

Electric Trip Bars  
 Bevel Toe Guard  
 Accordion Skirt  
 Other (specify): \_\_\_\_\_

**PORTABLE:**

Yes Describe: \_\_\_\_\_  No

**TAKE PICTURES! EACH PICTURE IS WORTH A 1000 WORDS.**